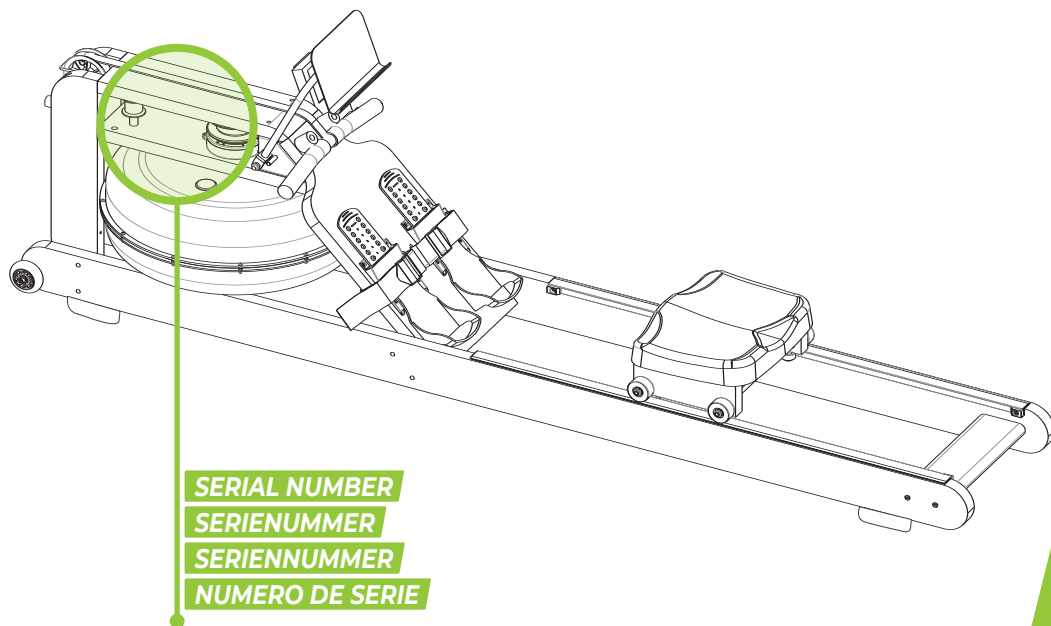


# *virtufit*

*Elite Water Resistance Black + Oak Edition*

VFROWWRB + VFROWWRO



USER MANUAL

HOW TO  
RECYCLE



ASSEMBLY  
VIDEO

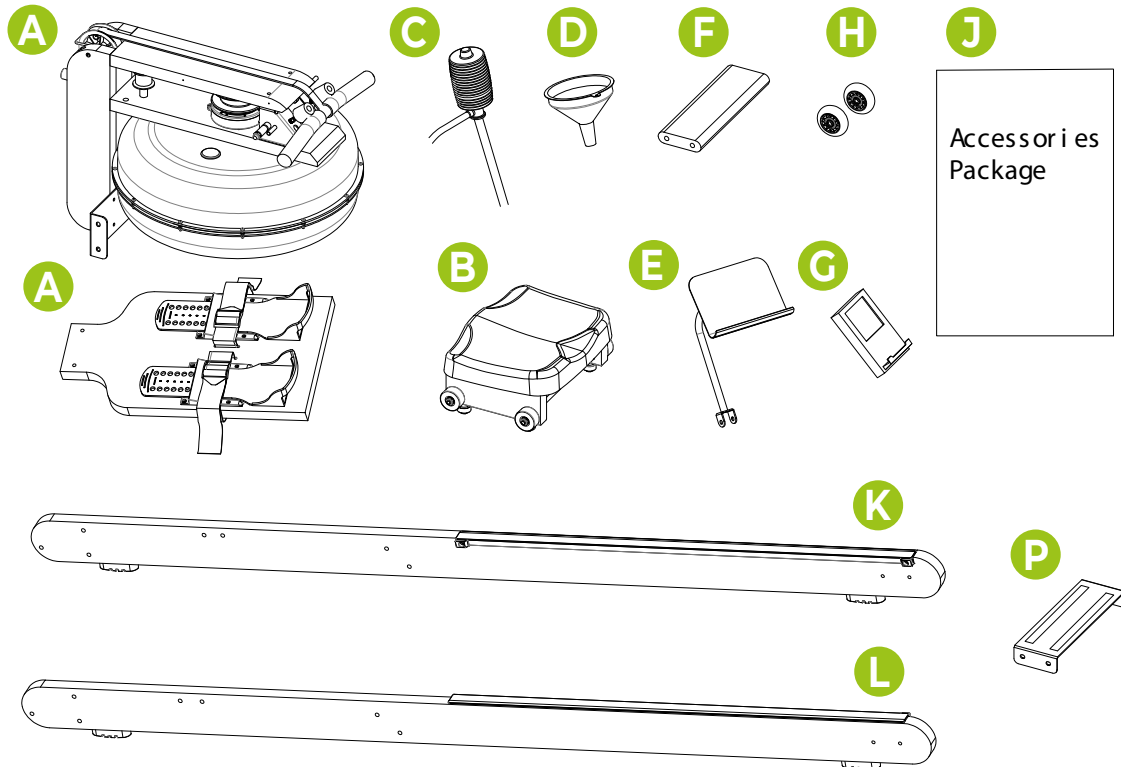


Instagram icon @virtufit\_fitness

YouTube icon VirtuFit

Website icon www.virtufit.com

## TOOLKIT



#	DESCRIPTION	QTY	#	DESCRIPTION	QTY
A	Rowing machine	1	H	PU roller	1
B	Pedal	1	I	Console	1
C	Hand pump	1	J	Accessories package	1
D	Funnel	1	K	Right track assembly	1
E	Cushion	1	L	Left track assembly	1
F	Rear connecting plate	1	P	Connection plate	1
G	iPad holder	1			

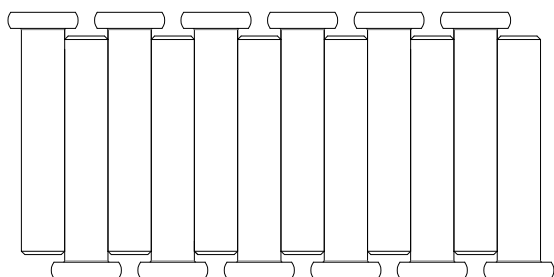
**NOTE!** Do not connect the unit to the power supply until it is fully assembled.

**LET OP!** Sluit het toestel pas aan op het stroom wanneer het volledig is gemonteerd.

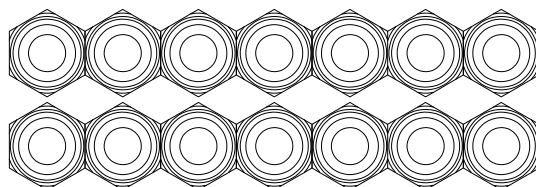
**HINWEIS!** Schließen Sie das Gerät erst dann an das Stromnetz an, wenn es vollständig montiert ist.

**REMARQUE!** Ne connectez pas l'appareil à l'alimentation électrique avant qu'il ne soit entièrement assemblé.

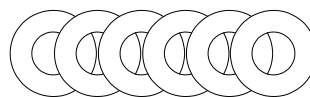
**HARDWARE KIT**



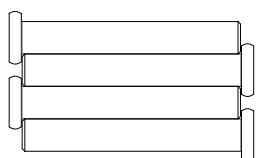
(24) SCREW M8\*40 - 12PCS



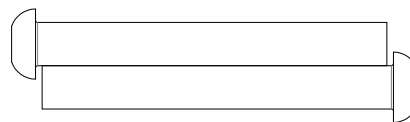
(5) NUT M8 - 14PCS



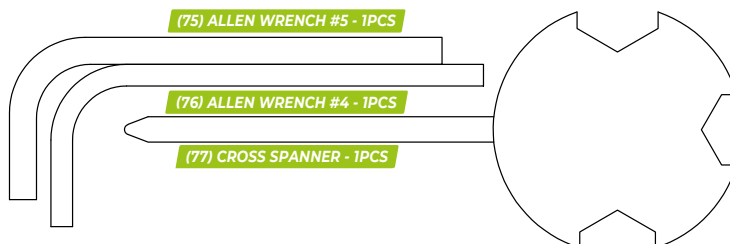
(7) WASHER D8\*16\*1.5 - 6PCS



(25) SCREW M6\*40 - 4PCS



(21) SCREW M8\*65 - 2PCS

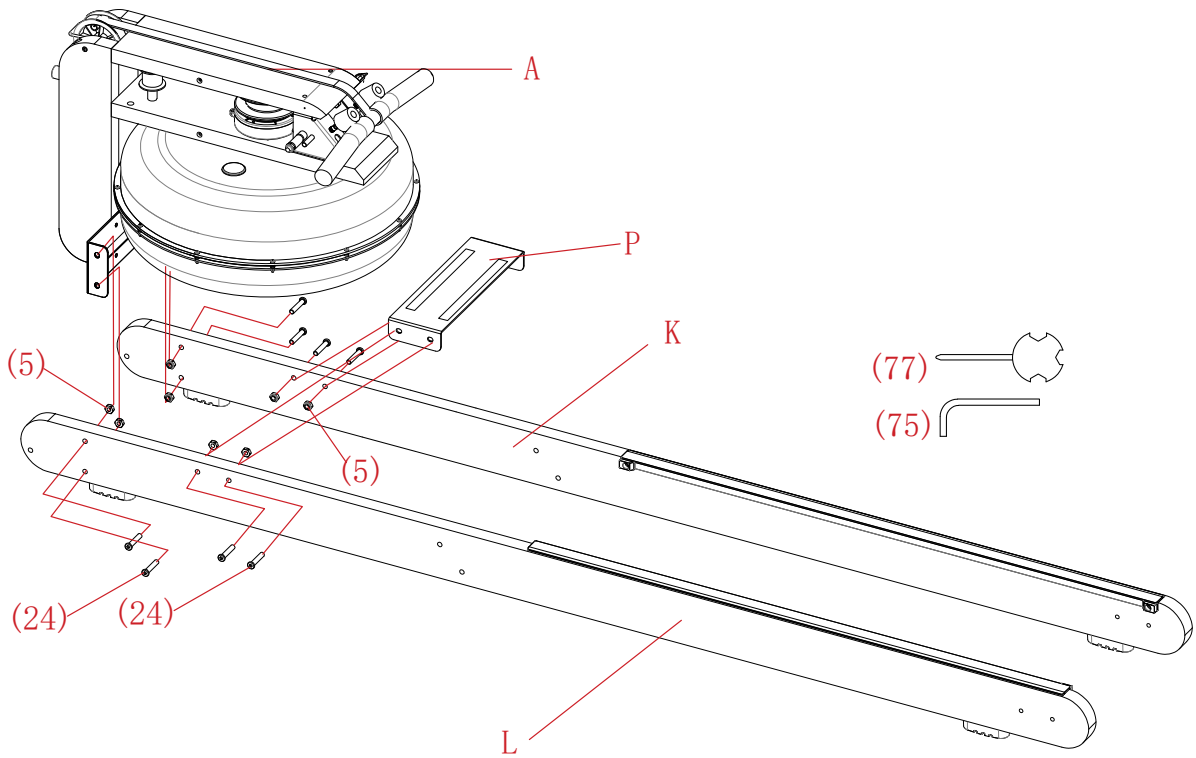


(75) ALLEN WRENCH #5 - 1PCS

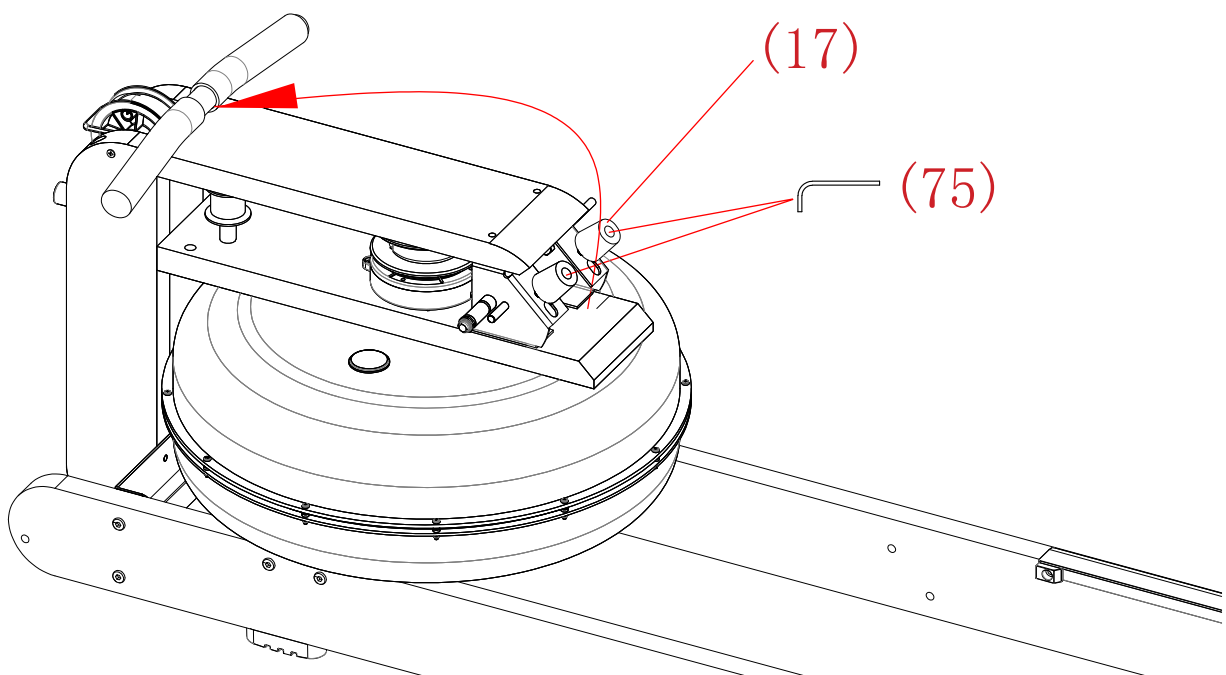
(76) ALLEN WRENCH #4 - 1PCS

(77) CROSS SPANNER - 1PCS

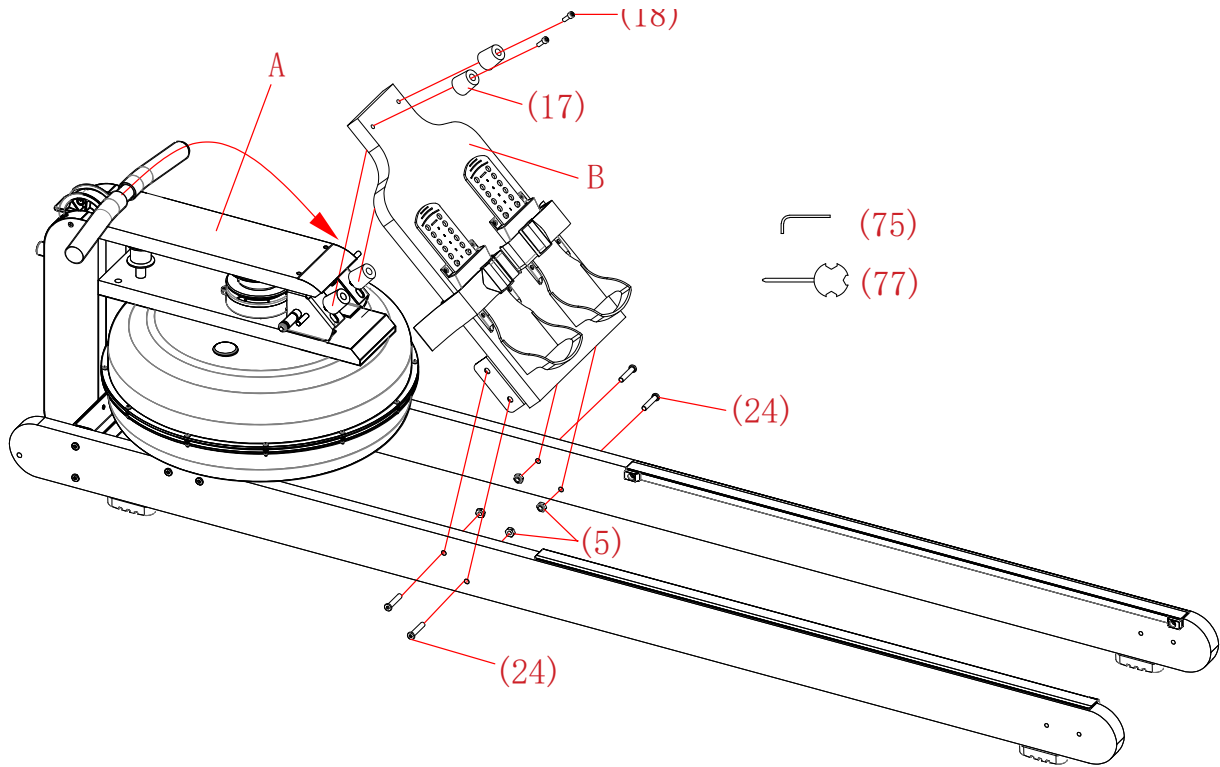
STEP 01



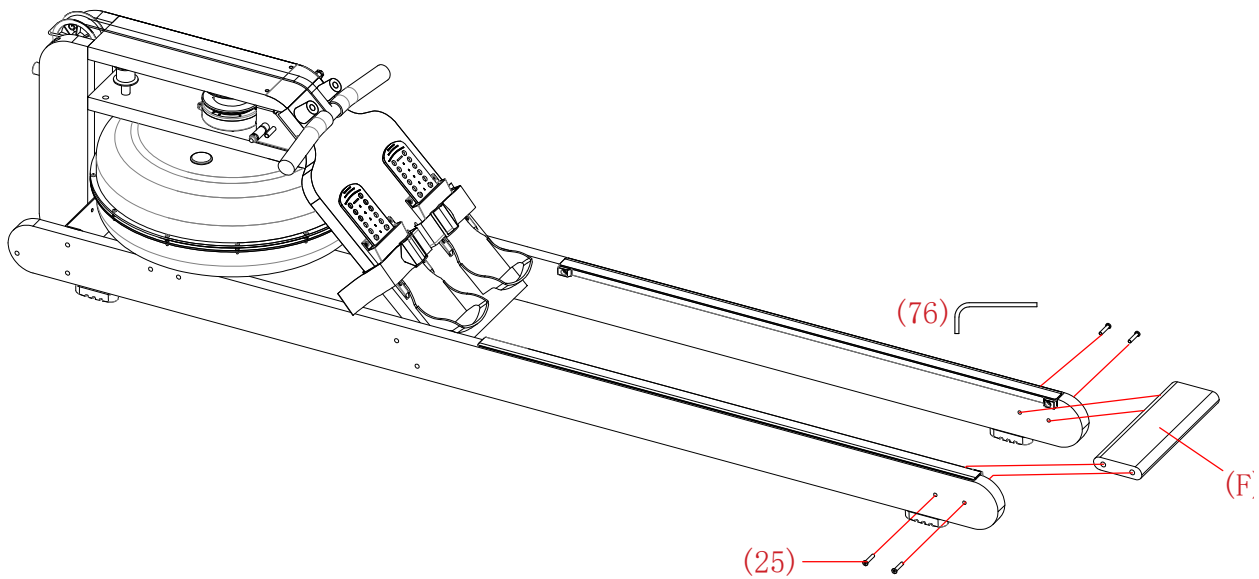
STEP 02



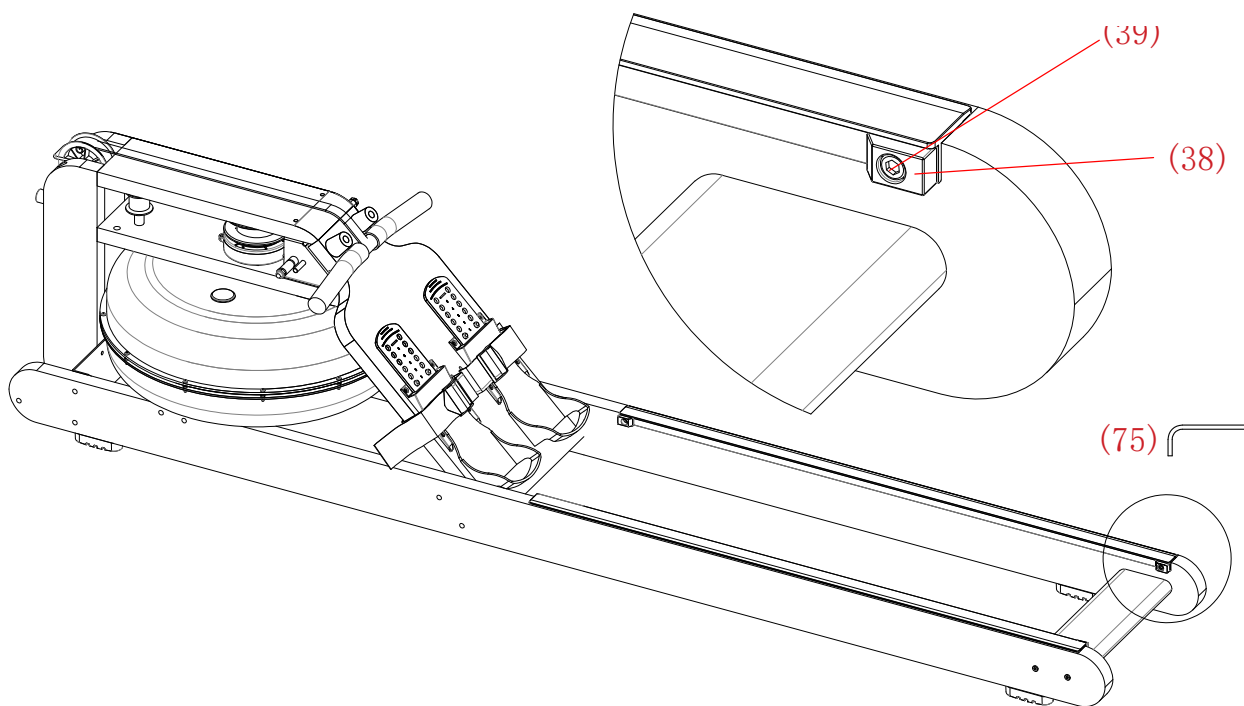
STEP 03



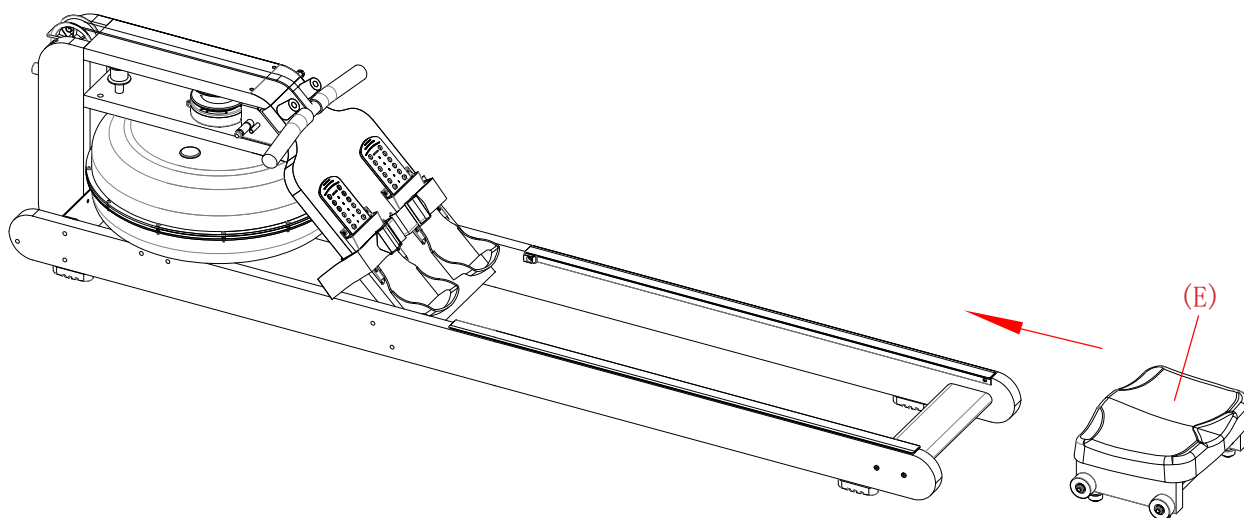
STEP 04



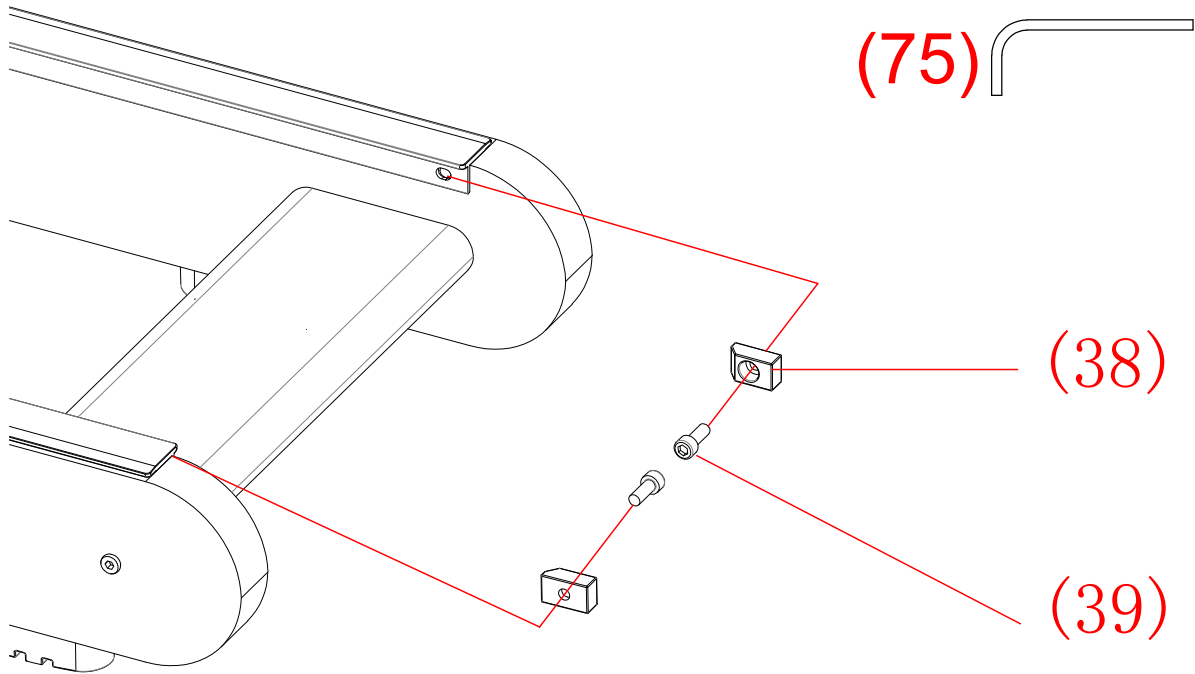
STEP 05



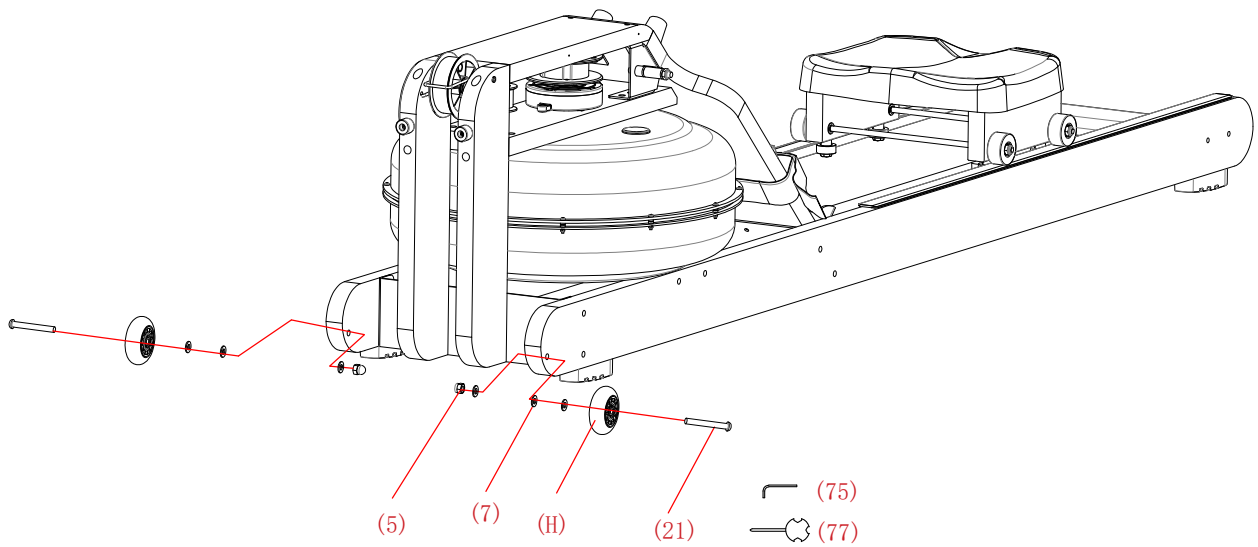
STEP 06



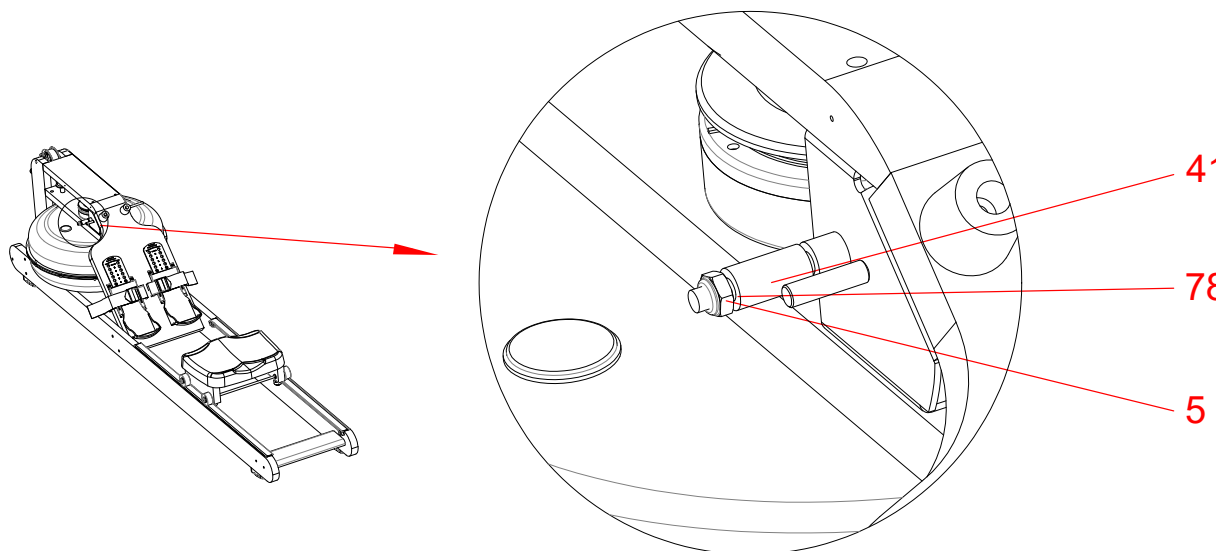
STEP 07



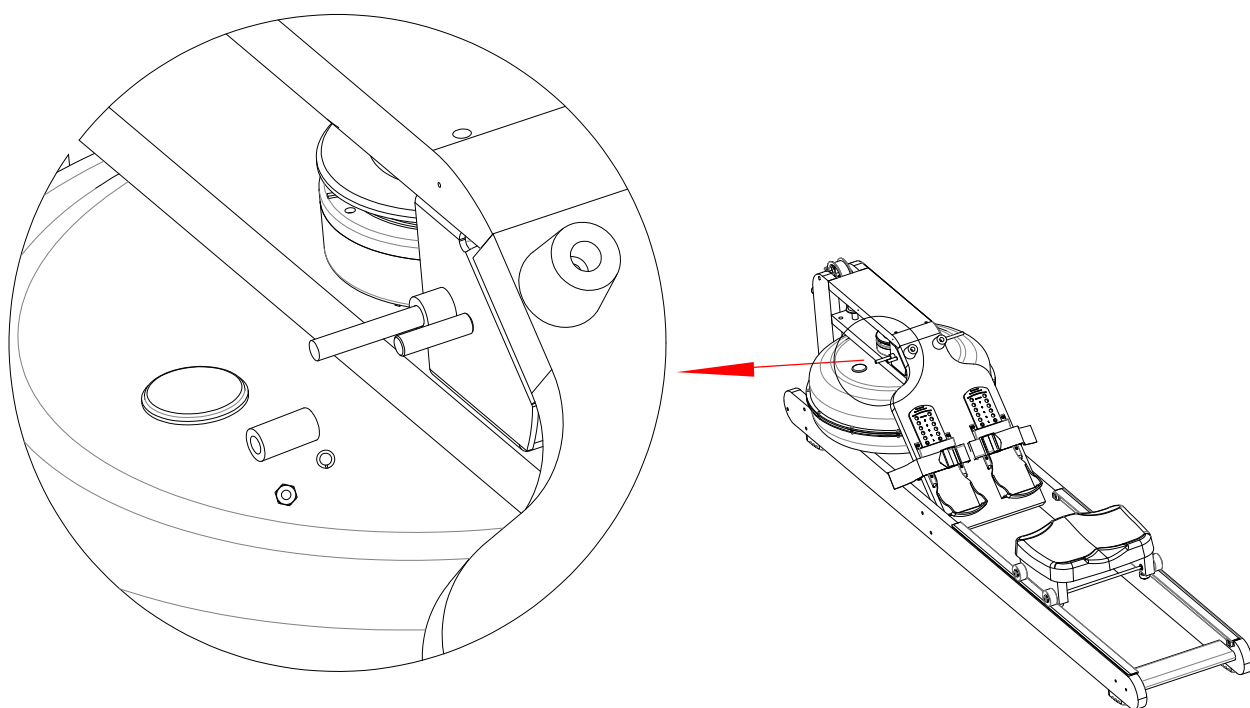
STEP 08



STEP 09

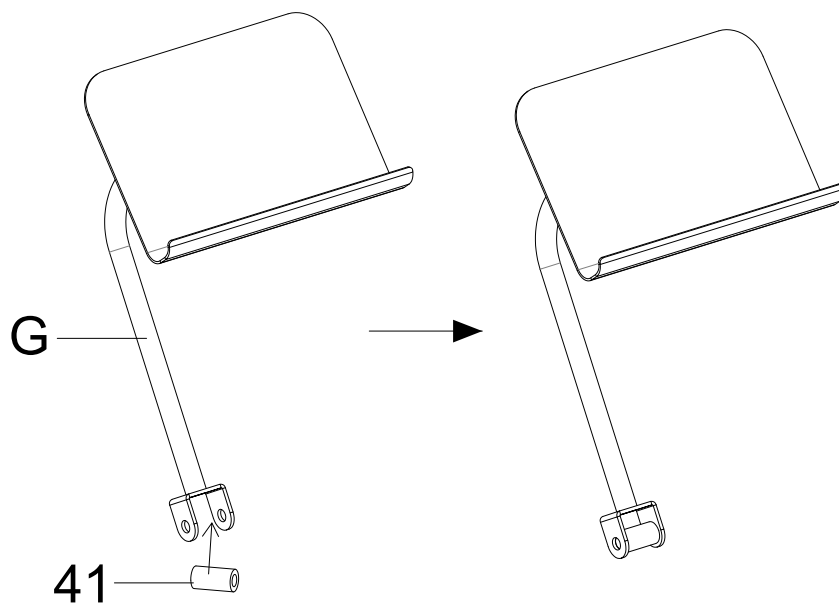


STEP 10

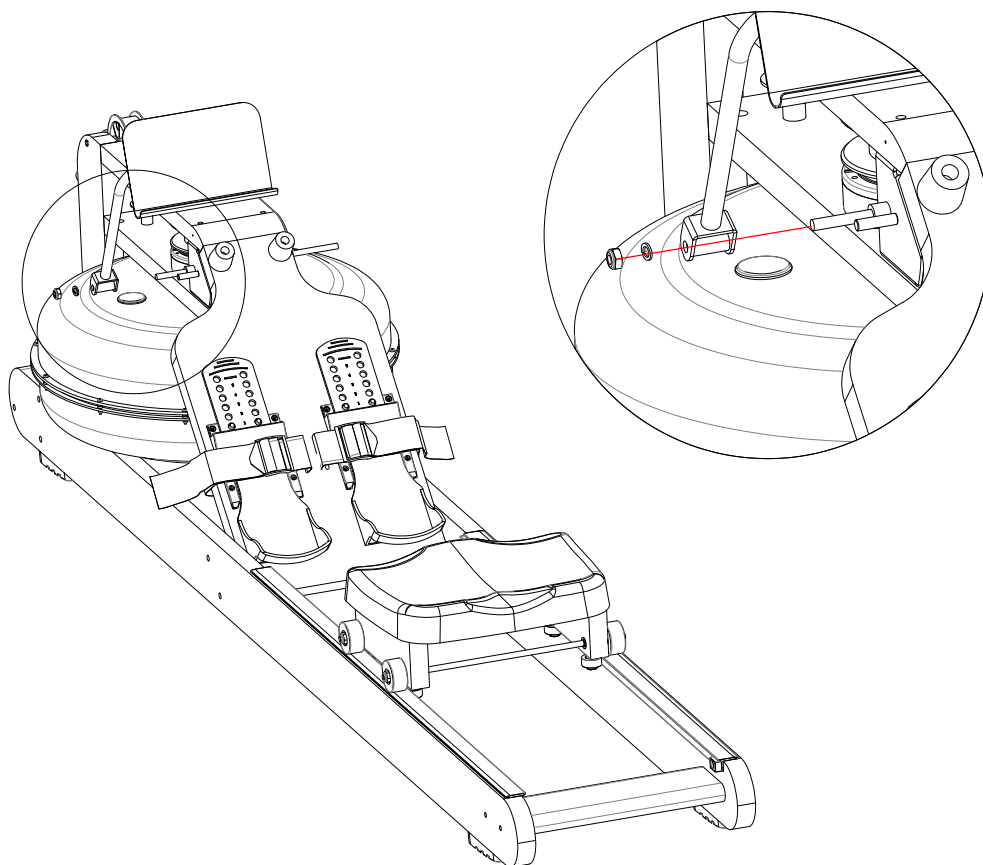




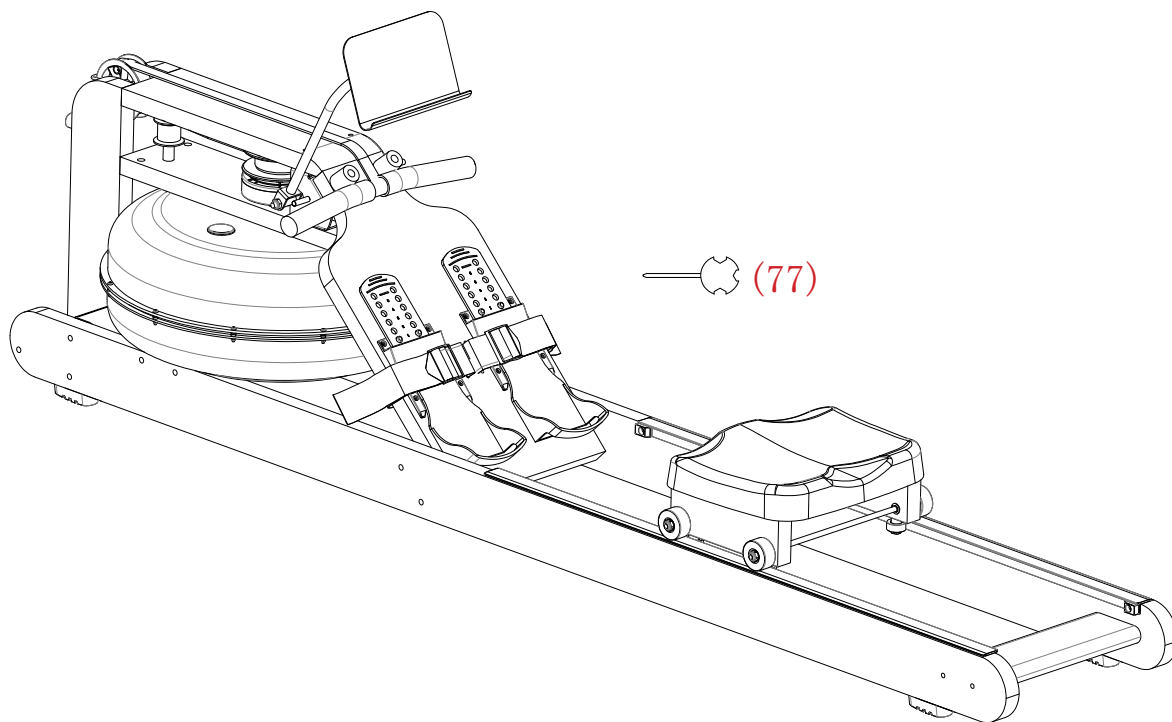
STEP 11



STEP 12



STEP 13



STEP 14

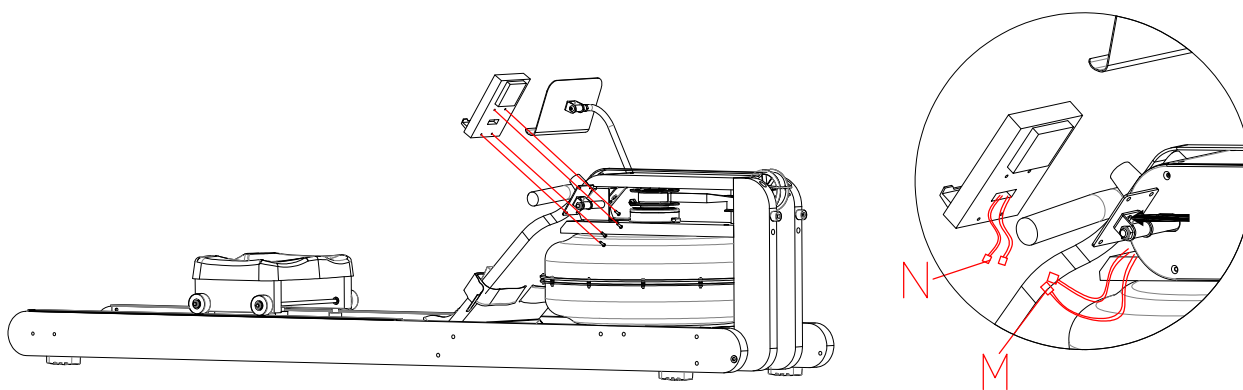


FIG. A

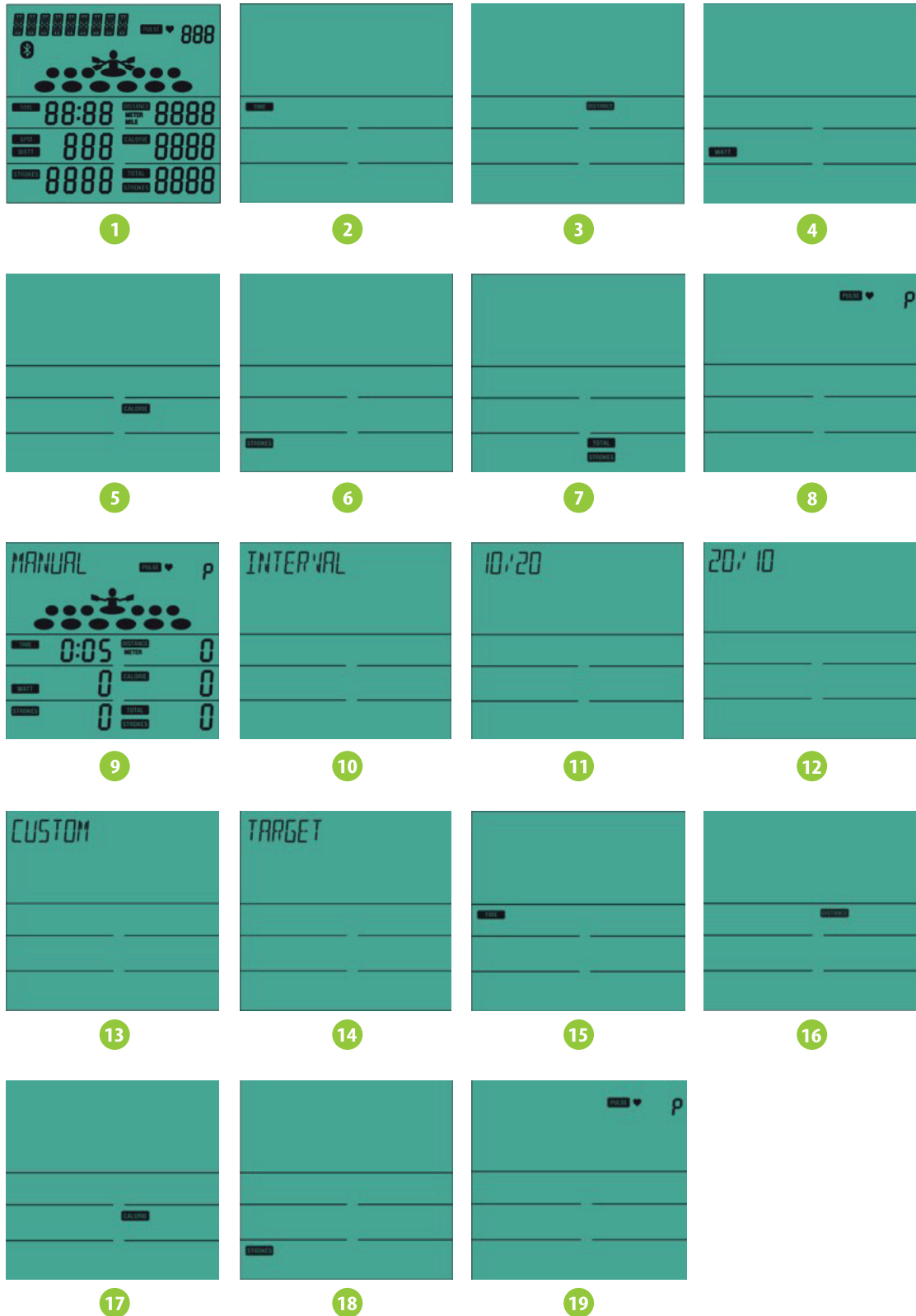
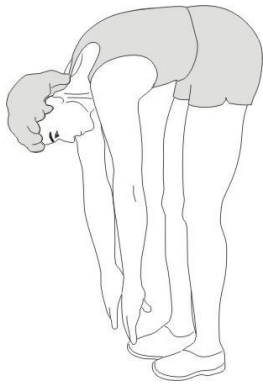


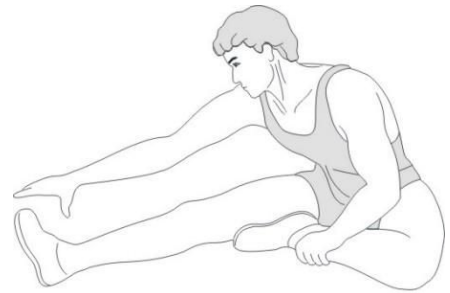
FIG. B



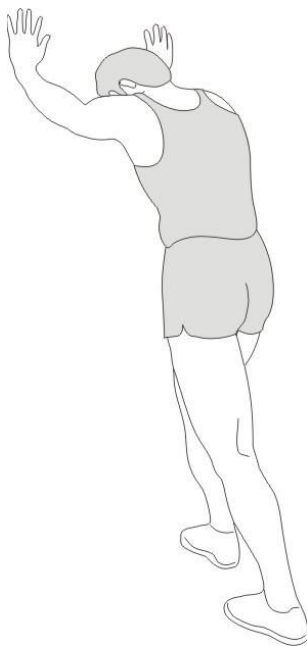
1



2



3



4



5

## INDEX

---

<b>Safety instructions</b>	<b>13</b>
<b>Guarantee</b>	<b>13</b>
<b>Assembly instructions</b>	<b>13</b>
<b>Moving and adjusting</b>	<b>14</b>
<b>Filling and emptying the water tank</b>	<b>14</b>
<b>Training with fitness apps</b>	<b>14</b>
<b>Maintenance</b>	<b>15</b>
<b>Console</b>	<b>15</b>
<b>Programs</b>	<b>16</b>
<b>Training guidelines</b>	<b>17</b>

## SAFETY INSTRUCTIONS

---

### WARNING

*Consult your doctor before you start exercising. This is particularly important for people with health problems. Please read all instructions before using the machine. VirtuFit assumes no responsibility for injury or property damage resulting from the use of this equipment. Please read this manual carefully before assembling and/or using the machine.*

- Make sure that the machine is properly assembled and that all nuts and bolts are tight before using it.
- Lubricate all moving parts annually with petroleum jelly (acid-free) or silicone spray.
- Do not wear loose clothing to avoid getting caught in moving parts.
- Install and use the unit on a solid, level surface.
- Always wear clean sports shoes when using the appliance.
- Keep children and pets away from the appliance when in use.
- Maintain your balance when using the device.
- Do not place your fingers or other objects in the moving parts.
- Before exercising, consult your physician to determine the appropriate frequency, duration and intensity of exercise for your age and physical condition. Stop exercising immediately if you experience nausea, shortness of breath, fainting, headache, chest pain, tightness or any other discomfort.

- Do not hold the machine by the seat when moving.
- This machine should only be used by one person at a time.
- This machine is designed for domestic use and the maximum user weight is 200 kg.
- Leave 1-2 metres of space behind the machine to avoid accidents.
- Place the machine on a clean, flat surface. Do not place it on a thick carpet, as this may hinder the ventilation of the machine. Do not place the machine outdoors or near water.
- Keep the storage area dry, clean and level to prevent damage. Do not use the device for any purpose other than training.
- Use the device only in an environment where the ambient temperature is between 10°C and 35°C. Store the device only in an environment where the temperature is between 5°C and 45°C.

## GUARANTEE

---

**Warranty claims are excluded if the cause of the defect is the result of:**

- Maintenance and repair work not carried out by an official dealer.
- Improper use, negligence and/or poor maintenance.
- Failure to maintain the appliance in accordance with the manufacturer's instructions.

## ASSEMBLY INSTRUCTIONS (STEP 01-14)

---

**Missing parts:** If any parts are missing from the packaging, carefully check the polystyrene foam and the appliance itself. Some parts (bolts, screws, etc.) are already attached to the unit.

**Error message:** Make sure that all cables are carefully attached. The aluminium feet of the console are very sensitive and must be kept straight. If the console gives an error message after the machine has been mounted, the aluminium feet of the console may be bent. Straightening the aluminium feet may make the error message disappear.

**Hex head bolts:** Make sure that the hex head spanner is pushed into the bolt before applying force. This will prevent the head of the socket bolt from turning.

## MOVING AND ADJUSTING

### Moving

**CAUTION!** Store the tool in a dry place, out of the reach of children. Make sure that the tool is stable and safe so that it cannot fall on children or animals.

Raise the rear stabiliser until the front stabiliser wheels touch the ground. With the wheels on the ground, the machine can easily be moved to the desired location. NOTE: The seat slides when the machine is in the upright position.

**NOTE!** The seat slides when the machine is in the upright position.

### Adjusting the pedal

The pedal strap is adjustable and can be adjusted to the size of the user's foot.

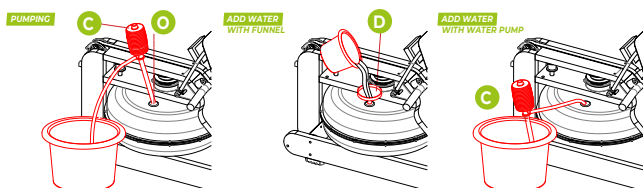
### Shelf support adjustment

The shelf support is adjustable so that you can always train in the best position.

## FILLING AND EMPTYING THE WATER TANK

### CAUTION!

- Always fill the tank with tap water only and add a water purification tablet. Never use chlorinated water or chlorine. This can damage the tank and void the warranty.
- Add a water purification tablet once every six months. If the water remains cloudy, replace the water in the tank.
- The water in the tank is not consumable. Discard the water after it has been pumped out of the tank.



### Filling the water tank

- Remove the water tank cap (O) from the top water tank opening. The water tank can be filled in two ways.
- **Manual water pump (C):** Insert the hose end of the manual water pump (C) into the bucket filled with water and insert the other end of the hose into the water tank opening. Press the hand water pump to fill the water tank.
- **Funnel (D):** Insert the funnel (D) into the opening of the water tank and pour a bucket full of water through the funnel into the water tank.
- Look at the side of the water tank to see what the water level is in the tank.
- Replace the water tank closing cap (O) on the opening of the water tank, so that it is properly closed.

### Empty the water tank

- Remove the water tank closure cap (O) from the top water tank opening.
- Place an empty bucket next to the water tank and insert the end of the manual water pump hose (C) into the empty bucket. Insert the other end of the hose into the opening of the water tank. Squeeze the hand water pump to empty the water tank.
- When the water tank is empty, dry it with a cloth.
- Replace the water tank cap (O) on the water tank opening so that it is properly sealed.

## TRAINING WITH FITNESS APPLICATIONS

VirtuFit does not provide service for third party fitness applications such as Kinomap, iConsole, FitShow etc. If you encounter problems with a third party fitness application, please contact the developer of the application in question.

### Instruction

- To scan the QR code with an Android or IOS phone or tablet, a QR code scanner is required. The app for scanning QR codes can be downloaded from the App Store or Google Play Store.
- Scan one of the QR codes below to go directly to the App Store or Google Play Store page where the fitness app can be downloaded.
- Scan the QR code on the right to access the fitness app manual. The manual describes step by step how to connect the fitness app to the device, how the fitness app works and what its

capabilities are.

## Fitshow



APP STORE



GOOGLE PLAY



MANUAL

## Kinomap



APP STORE



GOOGLE PLAY



MANUAL

## MAINTENANCE

Safe and efficient use can only be achieved if the appliance is properly installed and maintained. It is your responsibility to ensure that the appliance is maintained regularly. Parts that have been used and/or damaged must be replaced before the appliance is used again. The appliance should only be used and stored indoors. Long-term exposure to weather and temperature/humidity changes can have a serious impact on the electrical components and moving parts of the unit. Always unplug the power cord from the unit before cleaning or servicing it.

### Daily maintenance

- Clean and remove sweat and moisture after each use.
- Check that the unit is free of dust and dirt.
- Do not use aggressive cleaning agents and keep the device away from moisture.

### Semi-annual maintenance

- Clean and remove sweat and moisture after each use.
- Check that the unit is free of dust and dirt.
- Do not use aggressive cleaning agents and keep the device

away from moisture.

### CAUTION!

- All repairs must be performed by a professional technician, unless otherwise specified by the supplier or manufacturer.

## Cleaning

General cleaning of the machine will prolong its life. Keep the machine clean by dusting it regularly.

Regular maintenance extends the life of your machine and prevents accidents! For more information, please visit <https://www.virtufit.nl/service/faq/>

**CAUTION!** Wear clean shoes to reduce the risk of soiling the machine.

## CONSOLE



- **START/STOP** Start/stop.
- **MODE** Confirm the setting.
- **RESET** Press "RESET" to return to the main screen. Press and hold to reset.
- **UP** Increase the setting.
- **RECOVERY** Heart rate recovery test.
- **INTERVAL CUSTOM** Interval training setting.
- **BLUETOOTH** Bluetooth function on/off.

## Functions

- **TIME** The total rowing time from the beginning to the end of the exercise is displayed.
- **DISTANCE** The distance of each workout is displayed when you start the workout
- **PULSE** The current heart rate will be displayed if it is detected during the workout.

- **CALORIE** The total number of calories from start to finish of the workout is displayed.
- **SPM** Beat rate: The total number of calories from start to finish of the workout is displayed.
- **STROKES** Number of strokes during exercise.
- **WATT** Displays the number of workout watts.

**NOTE!** If there is no movement for more than 4 minutes, the console will automatically turn off.

## PROGRAMS (FIG. A, 1-19)

### Powering up and sleep mode

**POWER ON** After powering up the console (or by pressing Mode/Reset for 3 seconds), it will beep for 2 seconds and the LCD screen will be displayed in full for 2 seconds, then enter standby mode.

**STANDBY MODE** After powering up, the console goes into standby mode. MANUAL - INTERVAL - TARGET - TIME - DISTANCE - CALORIE - PULSE - SPM - STROKES - SCAN are displayed in sequence for 1 second (Fig. 16-B to 16-H, page 18).

**NOTE!** If there is no movement for more than 4 minutes, the console will automatically go into sleep mode.

### Manual Mode

- If an RPM signal is heard during standby, immediately start the QUICK START function and the signal will sound for 1 second.
- Or, in standby mode, press the MODE button and the console will display MANUAL. Press the MODE button, the beeper will sound for 1 second and the MANUAL function will start (Fig. 16-I, page 18). The LCD display will constantly show MANUAL. TIME - DISTANCE - CALORIES - PULSE - SPM - WATCH - RACE start counting and are displayed according to the calculated values.
- During the exercise, press the START/STOP button until STOP flashes. TIME - DISTANCE - TOTAL STROKES - CALORIES always shows the current training value and PULSE shows the heart rate value in real time.
- When the STOP button is displayed on the console, press the START/STOP button. The console will continue to run the workout. If you press the RESET button while in stop mode, the console will return to standby mode. If there is no activity for more than 4 minutes, the console will automatically go into sleep mode.

### INTERVAL

In standby mode, press the MODE button and the UP button to activate and select the INTERVAL function. The console displays INTERVAL flashing (Fig. 16-J to 16-M).

**INTERVAL 10/20** INTERVAL flashes on the console. Press the MODE button and select the 20/10 function. The console flashes 10/20, press the START/STOP BUTTON to start the 10/20 function.

**INTERVAL 20/10** INTERVAL flashes on the console, press the MODE button and select the 20/10 function by pressing the UP button. The console flashes 20/10, press the START/STOP button to start the 20/10 function.

**INTERVAL CUSTOM** The console flashes INTERVAL, press the MODE button and select the CUSTOM mode by pressing the UP button. The console flashes CUSTOM, press the START/STOP BUTTON to start the CUSTOM mode.

### Target

In Standby mode, press the MODE button, then press the UP button to select TARGET, the console will display TARGET flashing (Fig. 16-N to 16-T).

**TARGET TIME (Fig. 16-O)** Press the MODE button while TARGET is flashing on the console, then switch to the device display. Press SET to access the TARGET TIME function. The console will still display TARGET and TIME will flash. Press the MODE button to enter the TIME setting mode.

**TARGET DISTANCE (Fig. 16-P)** With TARGET flashing on the console, press MODE to select TARGET DISTANCE. Press UP to enter the TARGET DISTANCE function. The console will still display TARGET, with DISTANCE flashing in the window. Press the MODE button to start the DISTANCE function.

**TARGET CALORIES (Fig. 16-Q)** Press the MODE button while TARGET is flashing on the console, select the TARGET CALORIES function by pressing UP. The console will still display TARGET and the CALORIES window will flash. Press the MODE button to start the CALORIES function.

**TARGET STROKES (Fig. 16-R)** Press MODE while TARGET is flashing on the console, select the TARGET STROKES function by pressing UP. The console will still display TARGET, with STROKES flashing in the window. Press the MODE button to start the STROKES function.



**TARGET PULSE (Fig. 16-5)** Press the MODE button while TARGET is flashing on the console, select the TARGET PULSE function by pressing UP. The console will always display TARGET, with PULSE flashing in the window. Press the MODE button to start the PULSE function.

## TRAINING GUIDELINES (FIG. B, 1-5)

---

A successful training program includes a warm-up, the actual training and a cool-down. Perform the complete training program at least twice, but preferably three times a week and keep a rest day between training sessions. After a few months, the intensity of the training can be increased, for example to four or five times a week.

### The warm-up

---

The purpose of a warm-up is to prepare the body for training and to reduce the risk of injury. Warm up your body for two to five minutes before starting a cardio or strength training session. Do exercises that increase the heart rate and warm up the working muscles. Examples of this type of activity are running, jogging, jumping jacks, skipping and running in place.

### Stretching

---

Stretching while the muscles are warm is very important after a good warm-up and cool-down. It reduces the risk of injury. Stretching exercises should be held for 15-30 seconds. Here are some examples of stretching exercises:

- Toe touch (Fig. B-1)
- Inner thigh stretch (Fig. B-2)
- Hamstring stretch (Fig. B-3)
- Achilles stretch (Fig. B-4)
- Side stretch (Fig. B-5)

### Cooling down

---

The purpose of the cool-down is to return the body to its (near) normal resting position at the end of the workout. A good cool-down slowly reduces your heart rate and promotes recovery.

## INHOUD

<b>Veiligheidsinstructies</b>	<b>18</b>
<b>Garantie</b>	<b>18</b>
<b>Montage Instructies</b>	<b>18</b>
<b>Verplaatsen en afstellen</b>	<b>19</b>
<b>Watertank vullen en legen</b>	<b>19</b>
<b>Trainen met fitness apps</b>	<b>20</b>
<b>Onderhoud</b>	<b>20</b>
<b>Console</b>	<b>20</b>
<b>Programma's</b>	<b>21</b>
<b>Trainingsrichtlijnen</b>	<b>22</b>

## VEILIGHEIDSINSTRUCTIES

### ⚠ WAARSCHUWING

**Raadpleeg uw arts voordat u begint met trainen. Dit is in het bijzonder belangrijk voor personen met gezondheidsproblemen. Lees alle instructies alvorens het toestel gebruikt wordt. VirtuFit neemt geen verantwoordelijkheid voor geleden letsel of materiële schade door het gebruik van dit toestel. Lees deze handleiding zorgvuldig door, voordat u begint met monteren van het toestel en/of er gebruik van gaat maken.**

- Zorg ervoor dat het toestel voor gebruik correct is gemonteerd en alle bouten en moeren zorgvuldig zijn vastgedraaid.
- Smeer alle bewegende delen jaarlijks in met vaseline (zonder zuren) of siliconenspray.
- Draag geen loszittende kleding om te voorkomen dat deze in bewegende delen verstrikt raakt.
- Stel het toestel op en gebruik deze op een stevige, effen ondergrond.
- Draag altijd schone sportschoenen bij gebruik van het toestel.
- Houd kinderen en huisdieren uit de buurt van het toestel, terwijl deze in gebruik is.
- Zorg dat u evenwicht behoudt tijdens gebruik van het toestel.
- Plaats geen vingers of andere voorwerpen in de bewegende delen.

- Raadpleeg voorafgaand aan een training uw arts om de trainingsfrequentie, tijd en intensiteit vast te stellen die geschikt is voor uw leeftijd en conditie. Stop onmiddellijk met trainen in geval van misselijkheid, kortademigheid, flauwvallen, hoofdpijn, pijn, benauwdheid in de borst of enig ander ongemak.
- Houd het toestel niet vast aan de zitting bij het verplaatsen.
- Dit toestel dient door slechts één persoon tegelijk te worden gebruikt.
- Dit toestel is gemaakt voor thuisgebruik en het maximaal gebruikersgewicht bedraagt 200 kg.
- Houd 1 à 2 meter ruimte vrij achter het toestel om eventuele ongelukken te voorkomen.
- Plaats het toestel op een schone en vlakke ondergrond. Plaats het toestel niet op dik tapijt waardoor het ventilatie kan belemmeren. Plaats het toestel niet buiten of in de buurt van water.
- Het toestel is voor binnengebruik en niet voor buitengebruik. Houd de opslagplek droog, schoon en vlak om schade te voorkomen. Het is verboden om het toestel voor andere doeleinden te gebruiken dan voor de trainingen.
- Gebruik het toestel alleen in een omgeving met een omgevingstemperatuur tussen 10 °C en 35 °C. Berg het toestel alleen op bij een omgevingstemperatuur tussen 5 °C en 45 °C.

## GARANTIE

**Aanspraak op garantie is uitgesloten indien de oorzaak van het defect het gevolg is van:**

- Onderhoudsmontage en reparatiewerkzaamheden die niet door een officiële dealer zijn uitgevoerd.
- Bij ondeugdelijk gebruik, verwaarlozing en/of gebrekkig onderhoud.
- Het niet volgens de fabrieksvoorschriften onderhouden van het toestel.

## MONTAGE INSTRUCTIES (STEP 01-14)

**Missende onderdelen:** Indien bepaalde onderdelen missen in de verpakking, controleer dan zorgvuldig het piepschuim en het toestel

zelf. Sommige onderdelen (bouten, schroeven, etc.) zitten al bevestigd aan/in het toestel.

**Foutmelding:** Let er op dat alle kabels voorzichtig worden bevestigd. De aluminium pootjes van het console zijn zeer gevoelig en deze dienen recht te blijven. Mocht het console een foutmelding geven na de montage van het toestel dan kan het zijn dat de aluminium pootjes van het console schuin staan. Buig de aluminium pootjes weer recht, dit laat de foutmelding mogelijk verdwijnen.

**Inbusbouten:** Zorg ervoor dat de inbusleutel goed in de bout zit voordat er kracht op de sleutel wordt gezet. Op deze manier wordt voorkomen dat de kop van de inbusbout wordt dolgedraaid.

## VERPLAATSEN EN AFSTELLEN

### Verplaatsen

**LET OP!** Berg het toestel op in een droge ruimte en uit de buurt van kinderen. Zorg ervoor dat het toestel stabiel en veilig staat, zodat het toestel niet kan omvallen op kinderen of dieren.

Til de achterste stabilisator op totdat de transportwielen bij de voorste stabilisator de grond raken. Met de wielen op de grond kan het toestel gemakkelijk naar de gewenste plaats worden verplaatst.

**LET OP!** De zitting zal wegglijden als de machine rechtop staat.

### Pedaal afstellen

De pedaalriem is verstelbaar en kan worden aangepast aan de voetmaat van de gebruiker.

### Tablethouder verstellen

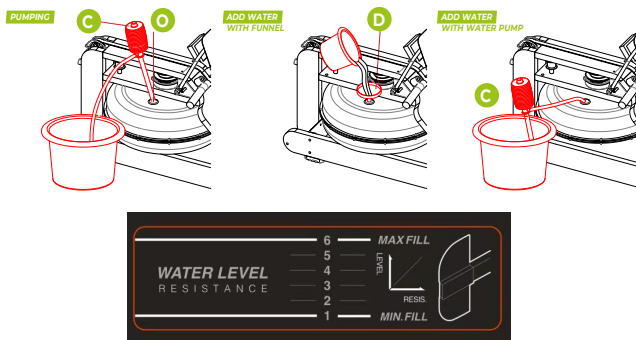
De tablethouder is verstelbaar, zodat te allen tijde in de juiste houding kan worden getraind.

## WATERTANK VULLEN EN LEGEN

**LET OP!**

- Vul de tank altijd alleen met kraanwater en voeg 1 waterzuiveringstablet toe. Gebruik nooit chloorwater of chloor. Dit kan de tank beschadigen en dan vervalt de garantie.

- Voeg één keer in de zes maanden een waterzuiveringstablet toe. Als het water troebel blijft, vervang het water in de tank.
- Water uit de tank is niet geschikt voor consumptie. Gooi het water weg, nadat het uit de tank is gepompt.



### Watertank vullen

- Haal het sluitdopje van de watertank (O) uit de opening in het bovenste waterreservoir. De watertank kan op twee manieren worden gevuld.
- **Handmatige waterpomp (C):** Steek het uiteinde van de van de slang van de handmatige waterpomp (C) in de met water gevulde emmer en steek het andere uiteinde van de slang door de opening in de watertank. Knijp in de handmatige waterpomp om de watertank te vullen.
- **Trechter (D):** Steek de trechter (D) door de opening in de watertank en giet een emmer gevuld met water via de trechter in de watertank.
- Bekijk aan de zijkant van de watertank wat het waterniveau in de watertank is.
- Plaats het sluitdopje van de watertank (O) weer terug op de opening in het waterreservoir, zodat deze goed afgesloten wordt.

### Watertank legen

- Haal het sluitdopje van de watertank (O) uit de opening in het bovenste waterreservoir.
- Plaats een lege emmer naast de watertank en steek het uiteinde van de van de slang van de handmatige waterpomp (C) in de lege emmer. Steek het andere uiteinde van de slang door de opening in de watertank. Knijp in de handmatige waterpomp om de watertank te leeg te pompen.
- Als de watertank leeg is, maak deze droog met een doek.
- Plaats het sluitdopje van de watertank (O) weer terug op de opening in het waterreservoir, zodat deze goed afgesloten wordt.

## TRAINEN MET FITNESS APPS

VirtuFit verleent geen service voor fitness-apps van derde partijen zoals Kinomap, iConsole, FitShow etc.. Mocht u problemen ondervinden met een fitness-app van een derde partij, neem dan contact met de desbetreffende app-ontwikkelaar.

### Instructie

- Om de QR-code te scannen met een Android of IOS telefoon of tablet is een QR-code scanner nodig. De app om QR-codes te scannen kan in de App Store of Google Play Store worden gedownload.
- Scan één van de QR-codes hieronder om direct naar de pagina in de App Store of Google Play Store te gaan waar de fitnessapp gedownload kan worden.
- Scan de QR-code aan de rechterkant om naar de handleiding van de fitnessapp te gaan. In de handleiding staat stap voor stap beschreven hoe de fitnessapp verbonden dient te worden met het toestel, hoe de fitnessapp werkt en welke mogelijkheden er zijn.

### Fitshow



APP STORE



GOOGLE PLAY



HANDLEIDING

### Kinomap



APP STORE



GOOGLE PLAY



HANDLEIDING

## ONDERHOUD

Veilig en effectief gebruik kan alleen worden bereikt als het toestel goed wordt gemonteerd en onderhouden. Het is uw verantwoordelijkheid om ervoor te zorgen dat het toestel

regelmatig wordt onderhouden. Onderdelen die al zijn gebruikt en/of beschadigd, moeten worden vervangen voordat het toestel verder gebruikt wordt. Het toestel mag alleen binnen worden gebruikt en opgeborgen. Langdurige blootstelling aan verering en veranderingen in temperatuur/vochtigheid kunnen een ernstige impact hebben op de elektrische componenten en bewegende delen van het toestel. Haal altijd de stroomkabel van het toestel uit het stopcontact voordat het apparaat wordt schoongemaakt of onderhouden.

### Dagelijks onderhoud

- Reinig en verwijder zweet en vocht na elk gebruik.
- Controleer of het toestel vrij is van stof en vuil.
- Gebruik geen agressieve schoonmaakmiddelen en zorg dat het toestel vochtvrij blijft.

### Halfjaarlijks onderhoud

- Inspecteer alle bouten en moeren in verband met bewegende delen van het toestel. Draai bouten en moeren vast indien nodig en zoals vereist.
- Controleer de mobiliteit van bewegende onderdelen en componenten van het toestel. Gebruik siliconenspray indien nodig en zoals vereist.

### LET OP!

- Elke reparatie moet door een professionele technicus worden uitgevoerd, tenzij anders aangegeven door de leverancier of fabrikant.

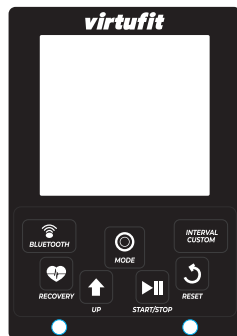
### Schoonmaak

Algemene reiniging van het apparaat zal de levensduur van het toestel verlengen. Houd het toestel schoon door regelmatig af te stoffen.

Regelmatig onderhoud verlengt de levensduur van uw toestel en voorkomt letsel! Kijk voor meer informatie op <https://www.virtufit.nl/service/fag/>

**LET OP!** Draag schone schoenen zodat de kans op vervuiling van het toestel vermindert.

## CONSOLE



- **START/STOP** Start/stop.
- **MODE** Instelling bevestigen.
- **RESET** Druk op "RESET" om het display naar het hoofdscherm te laten keren. Houd ingedrukt om te resetten.
- **UP** Instelling verhogen.
- **RECOVERY** Hartslag Hersteltest.
- **INTERVAL CUSTOM** Zelf instellen van een interval training.
- **BLUETOOTH** Bluetooth functie aan/uit.

## Functies

- **TIME** De totale roeitijd van het begin tot het einde van de oefening wordt weergegeven.
- **DISTANCE** De afstand van elke training wordt weergegeven wanneer u start met trainen.
- **PULSE** Huidige hartslag wordt getoond als deze gedetecteerd is tijdens training.
- **CALORIE** De totale calorieën van het begin tot het einde van de oefening wordt weergegeven.
- **SPM** Slagsnelheid: aantal slagen per minuut, ter aanduiding van de slagsnelheid tijdens de inspanning.
- **STROKES** Aantal slagen tijdens de training.
- **WATT** Geeft het training wattage weer.

**LET OP!** Wanneer er langer dan 4 minuten geen beweging is dan zal het console automatisch afsluiten.

## PROGRAMMA'S (FIG. A, 1-19)

### Inschakelen en standby-modus

**INSCHAKELLEN** Nadat het console is ingeschakeld (of druk op Mode/Reset gedurende 3 seconden), piept het signaal gedurende 2 seconden en wordt het LCD-scherm gedurende 2 seconden volledig weergegeven, waarna het in de standby modus gaat.

**STANDBY-MODUS** Na het inschakelen gaat het console in de standby

modus. MANUAL - INTERVAL - TARGET - TIME - DISTANCE - CALORIE - PULSE - SPM - STROKES - SCAN worden achtereenvolgens gedurende 1 seconde in scan weergegeven (Fig. 16-B t/m 16-H, pagina 18).

**LET OP!** Wanneer er langer dan 4 minuten geen beweging is, zal het console automatisch in standby-modus gaan.

### Handmatige modus

- Als tijdens standby een RPM-signaal klinkt, start dan onmiddellijk QUICK START, daarna zal het signaal 1 seconde klinken.
- Of druk in de standby-modus op de MODE TOETS, waarna het console MANUAL weergeeft. Druk op de MODE TOETS, het signaal klinkt gedurende 1 seconde en de MANUALfunctie wordt gestart (Fig. 16-I, pagina 18). Het LCD-scherm geeft constant MANUAL weer. TIJD - AFSTAND - CALORIEËN - PULSE - SPM - WATT - STROKES beginnen te tellen en worden weergegeven volgens de berekende waarden.
- Druk tijdens de training op de START/STOP TOETS totdat STOP knippert. TIJD - AFSTAND - TOTAL STROKES - STROKES - CALORIEËN geven altijd de huidige trainingswaarde weer en PULSE geeft de real-time hartslagwaarde weer.
- Wanneer de STOP TOETS op het console wordt weergegeven, druk dan op de START/STOP TOETS. Het console gaat door met de uitvoering van de training. Als u in de stopstand op de RESET TOETS drukt, gaat het console naar het standby beeld. Wanneer er langer dan 4 minuten geen beweging is dan zal het console automatisch in standby-modus gaan.

### INTERVAL

Druk in de standby-modus op de MODE TOETS en UP toets om de INTERVAL functie in te schakelen en te selecteren. Het console geeft knipperend INTERVAL weer (Fig. 16-J t/m 16-M).

**INTERVAL 10/20** Op het console knippert INTERVAL. Druk op de MODE TOETS en selecteer de 20/10 functie. Op het console knippert 10/20, druk op de START/STOP TOETS om de 10/20 functie te starten.

**INTERVAL 20/10** Op het console knippert INTERVAL, druk op de MODE TOETS en selecteer de 20/10 functie door op de UP toets te drukken. Op het console knippert 20/10, druk op de START/STOP TOETS om de 20/10 functie te starten.

**INTERVAL AANGEPAST** Op het console knippert INTERVAL, druk op de MODE TOETS en selecteer de CUSTOM functie door op de UP toets

te drukken. Op het console knippert CUSTOM, druk op de START/STOP TOETS om de CUSTOM functie te starten.

## Target

---

Druk in stand-by op de MODE TOETS, druk op UP om de TARGET functie te selecteren, het console geeft knipperend TARGET weer (Fig. 16-N t/m 16-T).

**TARGET TIME (Fig. 16-O)** Druk op de MODE-toets terwijl in het console TARGET knippert en schakel vervolgens over naar de functie TARGET TIME door op SET te drukken. Het console geeft altijd TARGET en het TIME knippert. Druk op de MODE TOETS om de TIME instelfunctie te starten.

**TARGET DISTANCE (Fig. 16-P)** Druk op de MODE TOETS terwijl in het console TARGET knippert, en selecteer de functie van TARGET DISTANCE door op UP te drukken. Het console geeft altijd TARGET weer, in het venster knippert DISTANCE. Druk op de MODE TOETS om de functie DISTANCE te starten.

**TARGET CALORIES (Fig. 16-Q)** Druk op de MODE TOETS terwijl in het console TARGET knippert, selecteer de functie van TARGET CALORIES door op UP te drukken. Het console geeft altijd TARGET weer, in het venster knippert CALORIES. Druk op de MODE TOETS om de functie CALORIES te starten.

**TARGET STROKES (Fig. 16-R)** Druk op de MODE TOETS terwijl in het console TARGET knippert, selecteer de functie van TARGET STROKES door op UP te drukken. Het console geeft altijd TARGET weer, in het venster knippert STROKES. Druk op de MODE TOETS om de functie STROKES te starten.

**TARGET PULSE (Fig. 16-S)** Druk op de MODE TOETS terwijl in het console TARGET knippert, selecteer de functie van TARGET PULSE door op UP te drukken. Het console geeft altijd TARGET weer, in het venster knippert PULSE. Druk op de MODE TOETS om de functie PULSE te starten.

## TRAININGSRICHTLIJNEN (FIG. B, 1-5)

---

Een succesvol trainingsprogramma bestaat uit een warming-up, de training zelf en een cooling down. Voer de hele training minstens twee, maar bij voorkeur drie keer per week uit en houdt één dag rust tussen de trainingen. Na enkele maanden kan de trainingsintensiteit worden verhoogd tot bijvoorbeeld vier of vijf keer per week.

## Warming-up

---

Het doel van een warming-up is dat het lichaam voorbereid wordt op een training en het vermindert de kans op blessures. Warm het lichaam op in twee tot vijf minuten voordat er met een cardio- of krachttraining begonnen wordt. Doe oefeningen die de hartslag verhogen en de werkende spieren opwarmen. Voorbeelden van dit soort activiteiten zijn: vlot lopen, joggen, jumping jacks, touwtje springen en rennen op de plaats.

## Stretchen

---

Stretchen terwijl spieren warm zijn, is zeer belangrijk na een goede warming-up en cooling-down. Het vermindert de kans op blessures. Stretchoefeningen dienen gedurende 15 tot 30 seconden worden vastgehouden. Voorbeelden van stretchoefeningen zijn:

- Toe touch (Fig. B-1)
- Inner thigh stretch (Fig. B-2)
- Hamstring stretch (Fig. B-3)
- Achilles stretch (Fig. B-4)
- Side stretch (Fig. B-5)

## Cooling-down

---

Het doel van de cooling-down is het lichaam aan het einde van de training terug te brengen naar de (bijna) normale ruststand. Een goede cooling-down vermindert langzaam uw hartslag en bevordert het herstel.

## INHALTE

---

Sicherheitshinweise	23
Bürgschaft	23
Montageanleitung	23
Transport und Einstellung	24
Befüllen und entleeren des wassertanks	24
Training mit Fitnessanwendungen	25
Wartung	25
Konsole	26
Programme	26
Trainingsrichtlinien	27

## SICHERHEITSHINWEISE

---

### ⚠️ WARNUNG

**Konsultieren Sie Ihren Arzt, bevor Sie mit dem Training beginnen. Dies ist besonders wichtig für Menschen mit gesundheitlichen Problemen. Bitte lesen Sie alle Anweisungen, bevor Sie das Gerät benutzen. VirtuFit übernimmt keine Verantwortung für Verletzungen oder Sachschäden, die durch die Verwendung dieses Geräts entstehen. Bitte lesen Sie diese Anleitung sorgfältig durch, bevor Sie das Gerät zusammenbauen und/oder benutzen.**

- Vergewissern Sie sich, dass das Gerät richtig zusammengebaut ist und dass alle Schrauben und Muttern fest angezogen sind, bevor Sie es benutzen.
- Schmieren Sie alle beweglichen Teile jährlich mit Vaseline (säurefrei) oder Silikonspray.
- Tragen Sie keine weite Kleidung, um zu vermeiden, dass Sie sich in beweglichen Teilen verfangen.
- Stellen Sie das Gerät auf einer festen, ebenen Fläche auf und benutzen Sie es.
- Tragen Sie immer saubere Sportschuhe, wenn Sie das Gerät benutzen.
- Halten Sie Kinder und Haustiere von dem Gerät fern, wenn Sie es benutzen.
- Achten Sie bei der Benutzung des Geräts auf Ihr Gleichgewicht.
- Stecken Sie Ihre Finger oder andere Gegenstände nicht in die beweglichen Teile.

- Konsultieren Sie vor dem Training Ihren Arzt, um die für Ihr Alter und Ihre körperliche Verfassung angemessene Häufigkeit, Dauer und Intensität des Trainings zu bestimmen. Brechen Sie das Training sofort ab, wenn Sie Übelkeit, Kurzatmigkeit, Ohnmacht, Kopfschmerzen, Brustschmerzen, Engegefühl oder andere Beschwerden verspüren.
- Halten Sie das Gerät nicht am Sitz fest, wenn Sie sich bewegen.
- Dieses Gerät darf nur von einer Person gleichzeitig benutzt werden.
- Das Gerät ist für den Hausgebrauch konzipiert und das maximale Benutzergewicht beträgt 200 kg.
- Lassen Sie hinter der Maschine 1-2 Meter Platz, um Unfälle zu vermeiden.
- Stellen Sie das Gerät auf eine saubere, ebene Fläche. Stellen Sie das Gerät nicht auf einen dicken Teppich, da dies die Belüftung des Geräts behindern kann. Stellen Sie das Gerät nicht im Freien oder in der Nähe von Wasser auf.
- Halten Sie den Aufbewahrungsort trocken, sauber und eben, um Schäden zu vermeiden. Verwenden Sie das Gerät nicht für andere Zwecke als zum Training.
- Verwenden Sie das Gerät nur in einer Umgebung, in der die Umgebungstemperatur zwischen 10°C und 35°C liegt. Lagern Sie das Gerät nur in einer Umgebung, in der die Temperatur zwischen 5°C und 45°C liegt.

## BÜRGSCHAFT

---

**Gewährleistungsansprüche sind ausgeschlossen, wenn die Ursache des Mangels die Folge ist von:**

- Wartungs- und Reparaturarbeiten, die nicht von einem Vertragshändler durchgeführt wurden.
- Unsachgemäßer Gebrauch, Nachlässigkeit und/oder schlechte Wartung.
- Wenn das Gerät nicht gemäß den Anweisungen des Herstellers gewartet wurde.

## MONTAGEANLEITUNG (STEP 01-14)

---

**Fehlende Teile:** Sollten Teile in der Verpackung fehlen, überprüfen Sie bitte sorgfältig den Styroporschaum und das Gerät selbst. Einige Teile

(Bolzen, Schrauben, usw.) sind bereits am Gerät angebracht.

**Fehlermeldung:** Vergewissern Sie sich, dass alle Kabel sorgfältig angebracht sind. Die Aluminiumfüße der Konsole sind sehr empfindlich und müssen gerade gehalten werden. Wenn die Konsole eine Fehlermeldung ausgibt, nachdem das Gerät montiert wurde, sind die Aluminiumfüße der Konsole möglicherweise verbogen. Das Richten der Aluminiumfüße kann dazu führen, dass die Fehlermeldung verschwindet.

**Sechskant-Schrauben:** Achten Sie darauf, dass der Sechskantschlüssel in die Schraube gedrückt wird, bevor Sie Kraft anwenden. Dadurch wird verhindert, dass sich der Kopf der Innensechskantschraube dreht.

## TRANSPORT UND EINSTELLUNG

### Transport

**VORSICHT!** Lagern Sie das Werkzeug an einem trockenen Ort und außerhalb der Reichweite von Kindern. Achten Sie darauf, dass das Werkzeug stabil und sicher steht, damit es nicht auf Kinder oder Tiere fallen kann.

Heben Sie den hinteren Stabilisator an, bis die Räder des vorderen Stabilisators den Boden berühren. Wenn die Räder auf dem Boden stehen, lässt sich die Maschine leicht an den gewünschten Ort bewegen.

**HINWEIS!** Der Sitz gleitet, wenn sich die Maschine in aufrechter Position befindet.

### Einstellen des Pedals

Der Pedalriemen ist verstellbar und kann auf die Fußgröße des Benutzers eingestellt werden.

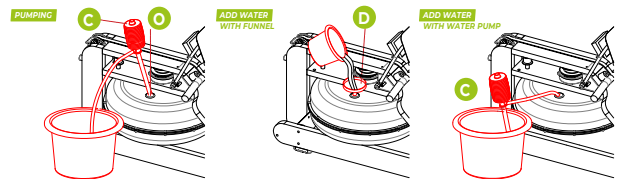
### Einstellung der Ablagefläche

Die Regalstütze ist verstellbar, damit Sie immer in der besten Position trainieren können.

## BEFÜLLEN UND ENTLEREN DES WASSERTANKS

**VORSICHT!**

- **Füllen Sie den Tank immer nur mit Leitungswasser und fügen Sie eine Wasserreinigungstablette hinzu. Verwenden Sie niemals gechlortes Wasser oder Chlor. Dies kann den Tank beschädigen und zum Erlöschen der Garantie führen.**
- **Fügen Sie einmal alle sechs Monate eine Wasserreinigungstablette hinzu. Wenn das Wasser trüb bleibt, ersetzen Sie das Wasser im Tank.**
- **Das Wasser im Tank ist nicht genießbar. Werfen Sie das Wasser weg, nachdem es aus dem Tank gepumpt wurde.**



### Befüllen des Wassertanks

- Entfernen Sie den Wassertankdeckel (O) von der oberen Öffnung des Wassertanks. Der Wassertank kann auf zwei Arten befüllt werden.
- **Manuelle Wasserpumpe (C):** Stecken Sie das Schlauchende der Handwasserpumpe (C) in den mit Wasser gefüllten Eimer und stecken Sie das andere Ende des Schlauchs in die Öffnung des Wassertanks. Drücken Sie die Handwasserpumpe, um den Wassertank zu füllen.
- **Trichter (D):** Stecken Sie den Trichter (D) in die Öffnung des Wassertanks und gießen Sie einen Eimer voll Wasser durch den Trichter in den Wassertank.
- Schauen Sie an der Seite des Wassertanks nach, um zu sehen, wie hoch der Wasserstand im Tank ist.
- Setzen Sie die Verschlusskappe (O) des Wassertanks wieder auf die Öffnung des Wassertanks, so dass sie richtig verschlossen ist.

### Entleeren des Wassertanks

- Entfernen Sie die Verschlusskappe (O) des Wassertanks von der oberen Öffnung des Wassertanks.
- Stellen Sie einen leeren Eimer neben den Wassertank und stecken Sie das Ende des Schlauches der Handwasserpumpe (C) in den leeren Eimer. Stecken Sie das andere Ende des Schlauches in die Öffnung des Wassertanks. Drücken Sie auf die Handwasserpumpe, um den Wassertank zu entleeren.



- Wenn der Wassertank leer ist, trocknen Sie ihn mit einem Tuch ab.
- Bringen Sie den Wassertankdeckel (O) wieder an der Öffnung des Wassertanks an, damit er gut verschlossen ist.

## TRAINING MIT FITNESSANWENDUNG

VirtuFit bietet keinen Service für Fitnessanwendungen von Drittanbietern wie Kinomap, iConsole, FitShow usw. Wenn Sie Probleme mit einer Fitness-Anwendung eines Drittanbieters haben, wenden Sie sich bitte an den Entwickler der betreffenden Anwendung.

### Anleitung

- Um den QR-Code mit einem Android- oder IOS-Telefon oder -Tablet zu scannen, ist ein QR-Code-Scanner erforderlich. Die App zum Scannen von QR-Codes kann im App Store oder im Google Play Store heruntergeladen werden.
- Scannen Sie einen der unten stehenden QR-Codes, um direkt zur Seite des App Store oder Google Play Store zu gelangen, wo die Fitness-App heruntergeladen werden kann.
- Scannen Sie den QR-Code auf der rechten Seite, um das Handbuch für die Fitness-App aufzurufen. Das Handbuch beschreibt Schritt für Schritt, wie Sie die Fitness-App mit dem Gerät verbinden, wie die Fitness-App funktioniert und welche Möglichkeiten sie bietet.

### Fitshow



APP STORE



GOOGLE PLAY



ANLEITUNG

### Kinomap



APP STORE



GOOGLE PLAY



ANLEITUNG

## WARTUNG

*Eine sichere und effiziente Nutzung kann nur erreicht werden, wenn das Gerät ordnungsgemäß installiert und gewartet wird. Es liegt in Ihrer Verantwortung, dafür zu sorgen, dass das Gerät regelmäßig gewartet wird. Benutzte und/oder beschädigte Teile müssen ersetzt werden, bevor das Gerät wieder benutzt wird. Das Gerät sollte nur in Innenräumen verwendet und gelagert werden. Wenn das Gerät über einen längeren Zeitraum hinweg Witterungseinflüssen sowie Temperatur- und Feuchtigkeitsschwankungen ausgesetzt ist, kann dies schwerwiegende Auswirkungen auf die elektrischen Komponenten und beweglichen Teile des Geräts haben. Ziehen Sie immer den Netzstecker aus dem Gerät, bevor Sie es reinigen oder warten.*

### Tägliche Wartung

- Reinigen Sie das Gerät nach jedem Gebrauch und entfernen Sie Schweiß und Feuchtigkeit.
- Prüfen Sie, ob das Gerät frei von Staub und Schmutz ist.
- Verwenden Sie keine aggressiven Reinigungsmittel und halten Sie das Gerät von Feuchtigkeit fern.

### Halbjährliche Wartung

- Überprüfen Sie alle Schrauben und Muttern, die mit den beweglichen Teilen des Geräts verbunden sind. Ziehen Sie die Schrauben und Muttern nach Bedarf und Bedarf an.
- Überprüfen Sie die Beweglichkeit der beweglichen Teile und Komponenten des Geräts. Bei Bedarf und Eignung Silikonspray verwenden.

**ACHTUNG!** Alle Reparaturen müssen von einem professionellen Techniker durchgeführt werden, es sei denn, der Lieferant oder Hersteller schreibt etwas anderes vor.

### Reinigung

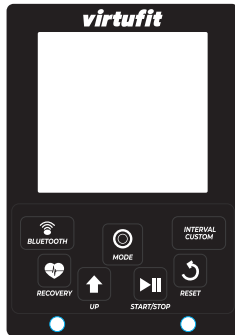
Die allgemeine Reinigung des Geräts verlängert seine Lebensdauer. Halten Sie das Gerät sauber, indem Sie es regelmäßig abstauben.

Regelmäßige Wartung verlängert die Lebensdauer Ihrer Maschine und verhindert Unfälle! Für weitere Informationen besuchen Sie bitte <https://www.virtufit.nl/service/faq/>

**ACHTUNG!** Tragen Sie saubere Schuhe, um das Risiko einer

Verschmutzung des Geräts zu verringern.

## KONSOLE



- **START/STOP** Start/stopp.
- **MODE** Bestätigen Sie die Einstellung.
- **RESET** Drücken Sie "RESET", um zum Hauptbildschirm zurückzukehren. Zum Zurücksetzen drücken und gedrückt halten.
- **UP** Erhöhen Sie die Einstellung.
- **RECOVERY** Herzfrequenz-Erholungstest.
- **INTERVAL CUSTOM** Einstellung für Intervalltraining.
- **BLUETOOTH** Bluetooth-Funktion ein/aus.

## Funktionen

- **TIME** Die gesamte Ruderzeit vom Beginn bis zum Ende der Übung wird angezeigt.
- **DISTANCE** Die Distanz jedes Trainings wird angezeigt, wenn Sie das Training starten.
- **PULSE** Die aktuelle Herzfrequenz wird angezeigt, wenn sie während des Trainings erkannt wird.
- **CALORIE** Die Gesamtzahl der Kalorien vom Beginn bis zum Ende des Trainings wird angezeigt.
- **SPM** Schlagfrequenz: Anzahl der Schläge pro Minute, um die Schlagfrequenz während des Trainings anzuzeigen.
- **STROKES** Anzahl der Schläge während des Trainings.
- **WATT** Zeigt die Wattzahl des Trainings an.

**HINWEIS!** Wenn Sie sich mehr als 4 Minuten lang nicht bewegen, schaltet sich die Konsole automatisch ab

## PROGRAMME (FIG. A, 1-19)

### Einschalten und Schlafmodus

**EINSCHALTEN** Nach dem Einschalten der Konsole (oder durch 3 Sekunden langes Drücken von Mode/Reset) ertönt ein 2-sekündiger Signalton und der LCD-Bildschirm wird 2 Sekunden lang vollständig angezeigt, dann wird der Standby-Modus aktiviert.

**STANDBY-MODUS** Nach dem Einschalten geht das Pult in den Standby-Modus. MANUAL - INTERVAL - TARGET - TIME - DISTANCE - CALORIE - PULSE - SPM - STROKES - SCAN werden nacheinander für 1 Sekunde angezeigt (Abb. 16-B bis 16-H, Seite 18).

**HINWEIS!** Wenn länger als 4 Minuten keine Bewegung erfolgt, schaltet die Konsole automatisch in den Ruhemodus.

### Manueller Modus

- Wenn im Standby-Modus ein Drehzahlssignal ertönt, starten Sie sofort die QUICK START-Funktion und das Signal ertönt 1 Sekunde lang.
- Oder drücken Sie im Standby-Modus die MODE-Taste und die Konsole zeigt MANUAL an. Drücken Sie die MODE-Taste, der Piepser ertönt 1 Sekunde lang und die Funktion MANUAL wird gestartet (Abb. 16-I, Seite 18). Auf dem LCD-Display wird ständig MANUAL angezeigt. TIME - DISTANCE - CALORIES - PULSE - SPM - WATCH - RACE beginnen zu zählen und werden entsprechend den berechneten Werten angezeigt.
- Drücken Sie während des Trainings die Taste START/STOP, bis STOP blinkt. TIME - DISTANCE - TOTAL STROKES - CALORIES zeigt immer den aktuellen Trainingswert und PULSE zeigt den Herzfrequenzwert in Echtzeit an.
- Wenn die STOP-Taste auf der Konsole angezeigt wird, drücken Sie die START/STOP-Taste. Die Konsole wird das Training fortsetzen. Wenn Sie im Stopp-Modus die RESET-Taste drücken, kehrt die Konsole in den Standby-Modus zurück. Wenn länger als 4 Minuten keine Aktivität stattfindet, schaltet die Konsole automatisch in den Schlafmodus.

### INTERVAL

Drücken Sie im Standby-Modus die Taste MODE und die Taste UP, um die Funktion INTERVAL zu aktivieren und auszuwählen. Die Konsole zeigt INTERVAL blinkend an (Abb. 16-J bis 16-M).

**INTERVAL 10/20** INTERVAL blinkt auf der Konsole. Drücken Sie die MODE-Taste und wählen Sie die Funktion 20/10. Auf der Konsole blinkt 10/20, drücken Sie die START/STOP-Taste, um die Funktion 10/20 zu starten.

**INTERVAL 20/10** INTERVAL blinkt auf der Konsole, drücken Sie die Taste

MODE und wählen Sie die Funktion 20/10 durch Drücken der Taste UP. Auf der Konsole blinkt 20/10, drücken Sie die START/STOP-Taste, um die Funktion 20/10 zu starten.

**INTERVAL CUSTOM** Die Konsole blinkt INTERVAL, drücken Sie die Taste MODE und wählen Sie den Modus CUSTOM durch Drücken der Taste UP. Die Konsole blinkt CUSTOM, drücken Sie die START/STOPP-Taste, um den CUSTOM-Modus zu starten.

## Target

Drücken Sie im Standby-Modus die MODE-Taste und dann die UP-Taste, um TARGET auszuwählen; die Konsole zeigt TARGET blinkend an (Abb. 16-N bis 16-T).

**TARGET TIME (Fig. 16-O)** TARGET TIME (Abb. 16-O) Drücken Sie die MODE-Taste, während TARGET auf der Konsole blinkt, und wechseln Sie dann zur Geräteanzeige. Drücken Sie SET, um die Funktion TARGET TIME aufzurufen. Auf der Konsole wird weiterhin TARGET angezeigt und TIME blinkt. Drücken Sie die MODE-Taste, um in den TIME-Einstellmodus zu gelangen.

**TARGET DISTANCE (Fig. 16-P)** DISTANCE auszuwählen. Drücken Sie UP, um die Funktion TARGET DISTANCE aufzurufen. Auf der Konsole wird immer noch TARGET angezeigt, wobei DISTANCE im Fenster blinkt. Drücken Sie die MODE-Taste, um die Funktion DISTANCE zu starten.

**TARGET CALORIES (Fig. 16-Q)** Drücken Sie die MODE-Taste, während TARGET auf der Konsole blinkt, und wählen Sie die Funktion TARGET CALORIES durch Drücken von UP. Auf der Konsole wird weiterhin TARGET angezeigt und das Fenster CALORIES blinkt. Drücken Sie die MODE-Taste, um die CALORIES-Funktion zu starten.

**TARGET STROKES (Fig. 16-R)** Drücken Sie MODE, während TARGET auf der Konsole blinkt, und wählen Sie die Funktion TARGET STROKES, indem Sie UP drücken. Auf der Konsole wird immer noch TARGET angezeigt, während STROKES im Fenster blinkt. Drücken Sie die MODE-Taste, um die STROKES-Funktion zu starten.

**TARGET PULSE (Fig. 16-S)** Drücken Sie die MODE-Taste, während TARGET auf der Konsole blinkt, und wählen Sie die Funktion TARGET PULSE, indem Sie UP drücken. Auf der Konsole wird immer TARGET angezeigt, während PULSE im Fenster blinkt. Drücken Sie die MODE-Taste, um die PULSE-Funktion zu starten.

Ein erfolgreiches Trainingsprogramm umfasst ein Aufwärmprogramm, das eigentliche Training und ein Abkühlungsprogramm. Führen Sie das komplette Trainingsprogramm mindestens zweimal, besser jedoch dreimal pro Woche durch und halten Sie einen Ruhetag zwischen den Trainingseinheiten ein. Nach einigen Monaten kann die Intensität des Trainings erhöht werden, zum Beispiel auf vier- oder fünfmal pro Woche.

## Das Aufwärmen

Das Aufwärmen dient dazu, den Körper auf das Training vorzubereiten und das Verletzungsrisiko zu verringern. Wärmen Sie Ihren Körper zwei bis fünf Minuten lang auf, bevor Sie mit einem Ausdauer- oder Krafttraining beginnen. Machen Sie Übungen, die die Herzfrequenz erhöhen und die arbeitenden Muskeln aufwärmen. Beispiele für diese Art von Aktivität sind Laufen, Joggen, Hampelmänner, Hüpfen und Laufen auf der Stelle.

## Dehnen

Dehnen, während die Muskeln warm sind, ist nach einem guten Aufwärm- und Abkühltraining sehr wichtig. Dadurch wird das Verletzungsrisiko verringert. Dehnungsübungen sollten 15-30 Sekunden lang gehalten werden. Hier sind einige Beispiele für Dehnungsübungen:

- Toe touch (Fig. B-1)
- Inner thigh stretch (Fig. B-2)
- Hamstring stretch (Fig. B-3)
- Achilles stretch (Fig. B-4)
- Side stretch (Fig. B-5)

## Abkühlung

Der Zweck des Cool-downs besteht darin, den Körper am Ende des Trainings in seine (fast) normale Ruheposition zu bringen. Ein gutes Cool-down senkt langsam die Herzfrequenz und fördert die Regeneration.

## TRAININGSRICHTLINIEN (FIG. B, 1-5)

## SOMMAIRE

Consignes de sécurité	28
Garanties	28
Instructions de montage	28
Déplacement et ajustement	29
Remplir et vider le réservoir d'eau	29
Entraînement avec des applications de fitness	30
Entretien	30
Console	31
Programmes	31
Directives de formation	32

## CONSIGNES DE SÉCURITÉ

### ⚠ AVERTISSEMENT

Consultez votre médecin avant de commencer à faire de l'exercice. Ceci est particulièrement important pour les personnes ayant des problèmes de santé. Veuillez lire toutes les instructions avant d'utiliser la machine. Virtufit n'assume aucune responsabilité pour les blessures ou les dommages matériels résultant de l'utilisation de cet équipement. Veuillez lire attentivement ce manuel avant d'assembler et/ou d'utiliser la machine.

- Assurez-vous que la machine est correctement assemblée et que tous les écrous et boulons sont bien serrés avant de l'utiliser.
- Lubrifiez chaque année toutes les pièces mobiles avec de la vaseline (non acide) ou un spray au silicone.
- Ne portez pas de vêtements amples pour éviter qu'ils ne se prennent dans les pièces mobiles.
- Installez et utilisez l'appareil sur une surface solide et plane.
- Portez toujours des chaussures de sport propres lorsque vous utilisez l'appareil.
- Tenez les enfants et les animaux domestiques à l'écart de l'appareil pendant son utilisation.
- Maintenez votre équilibre lorsque vous utilisez l'appareil.
- Ne placez pas vos doigts ou d'autres objets dans les parties mobiles.
- Avant de vous entraîner, consultez votre médecin afin de déterminer la fréquence, la durée et l'intensité d'entraînement

appropriées à votre âge et à votre condition physique. Arrêtez immédiatement l'entraînement si vous ressentez des nausées, un essoufflement, un évanouissement, des maux de tête, des douleurs thoraciques, une oppression ou tout autre malaise.

- Ne tenez pas la machine par le siège lors des déplacements.
- Cet appareil ne doit être utilisé que par une seule personne à la fois.
- Cette machine est conçue pour un usage domestique et le poids maximal de l'utilisateur est de 200 kg.
- Laissez 1 à 2 mètres d'espace derrière la machine pour éviter les accidents.
- Placez la machine sur une surface propre et plane. Ne le posez pas sur un tapis épais, qui pourrait gêner la ventilation de l'appareil. Ne placez pas l'appareil à l'extérieur ou près de l'eau.
- Maintenez l'emplacement de stockage sec, propre et de niveau pour éviter tout dommage. Il est interdit d'utiliser l'appareil à des fins autres que la formation.
- Utilisez l'appareil uniquement dans un environnement dont la température ambiante est comprise entre 10 °C et 35 °C. Conservez l'appareil uniquement dans un environnement dont la température est comprise entre 5 °C et 45 °C.

## GARANTIE

Les demandes de garantie sont exclues si la cause du défaut est le résultat de:

- Travaux d'entretien et de réparation non effectués par un concessionnaire officiel.
- En cas d'utilisation inappropriée, de négligence et/ou de mauvais entretien.
- Le fait de ne pas entretenir l'appareil conformément aux instructions du fabricant.

## INSTRUCTIONS DE MONTAGE (STEP 01-14)

**Des pièces manquantes:** Si certaines pièces manquent dans l'emballage, vérifiez soigneusement la mousse de polystyrène et l'appareil lui-même. Certaines pièces (boulons, vis, etc.) sont déjà fixées à l'appareil.

**Message d'erreur:** Veillez à ce que tous les câbles soient fixés avec soin. Les pieds en aluminium de la console sont très sensibles et doivent rester droits. Si la console donne un message d'erreur après le montage de la machine, il se peut que les pieds en aluminium de la console soient pliés. Redressez les pieds en aluminium, cela peut faire disparaître le message d'erreur.

**Boulons à tête hexagonale:** Assurez-vous que la clé hexagonale est bien enfoncée dans le boulon avant d'appliquer la force. Cela empêchera la tête du boulon à douille de tourner.

## DÉPLACEMENT ET AJUSTEMENT

### Déménagement

**ATTENTION!** Rangez l'outil dans un endroit sec, hors de portée des enfants. Assurez-vous que l'appareil est stable et sûr, afin qu'il ne puisse pas tomber sur des enfants ou des animaux.

Soulevez le stabilisateur arrière jusqu'à ce que les roues du stabilisateur avant touchent le sol. Avec les roues au sol, la machine peut facilement être déplacée à l'endroit souhaité.

**REMARQUE:** Le siège glisse lorsque la machine est en position verticale.

### Réglage de la pédale

La sangle de la pédale est réglable et peut être adaptée à la taille du pied de l'utilisateur.

### Réglage du support de la tablette

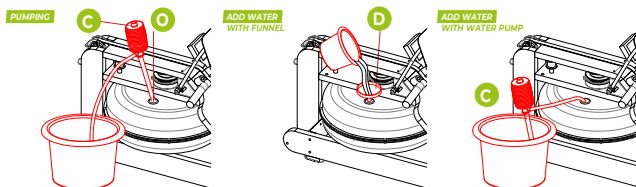
Le support de tablette est réglable afin que vous puissiez toujours vous entraîner dans la meilleure position.

## REEMPLIR ET VIDER LE RÉSERVOIR D'EAU

### ATTENTION!

- Remplissez toujours le réservoir avec de l'eau du robinet uniquement et ajoutez une pastille de purification de l'eau. N'utilisez jamais d'eau chlorée ou de chlore. Cela peut endommager le réservoir et annuler la garantie.
- Ajoutez une tablette de purification de l'eau une fois tous les six mois. Si l'eau reste trouble, remplacez l'eau du réservoir.

- L'eau du réservoir n'est pas consommable. Jetez l'eau après qu'elle ait été pompée hors du réservoir.



### Remplir le réservoir d'eau

- Retirez le bouchon du réservoir d'eau (O) situé au niveau de l'ouverture du réservoir d'eau supérieur. Le réservoir d'eau peut être rempli de deux façons.
- **Pompe à eau manuelle (C):** Insérez l'extrémité du tuyau de la pompe à eau manuelle (C) dans le seau rempli d'eau et insérez l'autre extrémité du tuyau dans l'ouverture du réservoir d'eau. Pressez la pompe à eau manuelle pour remplir le réservoir d'eau.
- **Entonnoir (D):** Insérez l'entonnoir (D) dans l'ouverture du réservoir d'eau et versez un seau rempli d'eau à travers l'entonnoir dans le réservoir d'eau.
- Regardez sur le côté du réservoir d'eau pour voir quel est le niveau d'eau dans le réservoir.
- Remettez le bouchon de fermeture du réservoir d'eau (O) sur l'ouverture du réservoir d'eau, de manière à ce qu'il soit correctement fermé.

### Vider le réservoir d'eau

- Retirez le bouchon de fermeture du réservoir d'eau (O) de l'ouverture du réservoir d'eau supérieur.
- Placez un seau vide à côté du réservoir d'eau et insérez l'extrémité du tuyau de la pompe à eau manuelle (C) dans le seau vide. Insérez l'autre extrémité du tuyau dans l'ouverture du réservoir d'eau. Pressez la pompe à eau manuelle pour vider le réservoir d'eau.
- Lorsque le réservoir d'eau est vide, séchez-le avec un chiffon.
- Remettez le bouchon du réservoir d'eau (O) sur l'ouverture du réservoir d'eau afin qu'il soit correctement scellé.

## ENTRAÎNEMENT AVEC DES APPS DE FITNESS

VirtuFit ne fournit pas de service pour les applications de fitness tierces telles que Kinomap, iConsole, FitShow etc. Si vous rencontrez des problèmes avec une application de fitness tierce, veuillez contacter le développeur de l'application en question.

### Instruction

- Pour scanner le code QR avec un téléphone ou une tablette Android ou IOS, un scanner de code QR est nécessaire. L'application permettant de scanner les codes QR peut être téléchargée sur l'App Store ou le Google Play Store.
- Scannez l'un des codes QR ci-dessous pour accéder directement à la page de l'App Store ou du Google Play Store où l'application de fitness peut être téléchargée.
- Scannez le code QR à droite pour accéder au manuel de l'application de fitness. Le manuel décrit étape par étape comment connecter l'application de fitness à l'appareil, comment l'application de fitness fonctionne et quelles sont ses possibilités.

### Fitshow



APP STORE



GOOGLE PLAY



MANUEL

### Kinomap



APP STORE



GOOGLE PLAY



MANUEL

## ENTRETIEN

Une utilisation sûre et efficace ne peut être obtenue que si l'appareil est correctement installé et entretenu. Il est de votre responsabilité de veiller à ce que l'appareil soit entretenu régulièrement. Les pièces qui ont été utilisées et/ou endommagées doivent être remplacées avant toute nouvelle utilisation de l'appareil. L'appareil doit être

utilisé et rangé uniquement à l'intérieur. Une exposition à long terme aux intempéries et aux changements de température/humidité peut avoir un impact sérieux sur les composants électriques et les pièces mobiles de l'appareil. Débranchez toujours le câble d'alimentation de l'appareil avant de le nettoyer ou de l'entretenir.

### Entretien quotidien

- Nettoyez et éliminez la sueur et l'humidité après chaque utilisation.
- Vérifiez que l'appareil est exempt de poussière et de saleté.
- N'utilisez pas de produits de nettoyage agressifs et maintenez l'appareil à l'abri de l'humidité.

### Entretien semestriel

- Inspectez tous les boulons et écrous liés aux parties mobiles de l'unité. Serrez les boulons et les écrous si nécessaire et selon les besoins.
- Vérifiez la mobilité des pièces et composants mobiles de l'appareil. Utilisez le spray silicone si nécessaire et selon les besoins.

**ATTENTION!** Toute réparation doit être effectuée par un technicien professionnel, sauf indication contraire du fournisseur ou du fabricant.

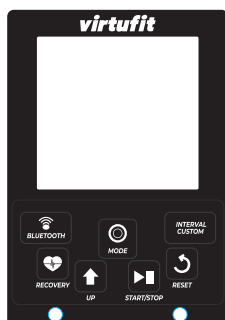
### Nettoyage

Un nettoyage général de la machine permet de prolonger sa durée de vie. Gardez la machine propre en la dépoussiérant régulièrement.

Un entretien régulier prolonge la durée de vie de votre appareil et évite les accidents! Pour plus d'informations, veuillez consulter le site <https://www.virtufit.nl/service/faq/>

**ATTENTION!** Portez des chaussures propres pour réduire le risque de salir l'appareil.

## CONSOLE



- **START/STOP** Démarrage/arrêt.
- **MODE** Confirmez le réglage.
- **RESET** Appuyez sur "RESET" pour revenir à l'écran principal. Appuyez et maintenez pour réinitialiser.
- **UP** Augmenter le réglage.
- **RECOVERY** Test de récupération de la fréquence cardiaque.
- **INTERVAL CUSTOM** Réglage de l'entraînement par intervalles.
- **BLUETOOTH** Fonction Bluetooth activée/désactivée.

## Fonctions

- **TIME** Le temps total de rame du début à la fin de l'exercice est affiché.
- **DISTANCE** La distance de chaque séance d'entraînement est affichée lorsque vous commencez l'entraînement.
- **PULSE** La fréquence cardiaque actuelle sera affichée si elle est détectée pendant l'exercice.
- **CALORIE** Le nombre total de calories du début à la fin de l'exercice est affiché.
- **SPM** Taux de battement: nombre de battements par minute, pour indiquer le taux de battement pendant l'exercice.
- **STROKES** Nombre d'accidents vasculaires cérébraux pendant l'exercice.
- **WATT** Affiche le nombre de watts d'entraînement.

**REMARQUE!** S'il n'y a aucun mouvement pendant plus de 4 minutes, la console s'éteint automatiquement.

## PROGRAMMES (FIG. A, 1-19)

### Mise sous tension et mode veille

**MISE SOUS TENSION** Après la mise sous tension de la console (ou en appuyant sur Mode/ Reset pendant 3 secondes), elle émet un bip pendant 2 secondes et l'écran LCD s'affiche entièrement pendant 2 secondes, puis passe en mode veille.

**STANDBY-MODUS** Après la mise sous tension, la console passe en mode veille. MANUAL - INTERVAL - TARGET - TIME - DISTANCE - CALORIE - PULSE - SPM - STROKES - SCAN s'affichent en séquence pendant 1 seconde (Fig. 16-B à 16-H, page 18).

**NOTE!** S'il n'y a aucun mouvement pendant plus de 4 minutes, la console se met automatiquement en mode veille.

### Mode manuel

- Si un signal RPM retentit pendant la mise en veille, lancez immédiatement la fonction QUICK START, puis le signal retentira pendant 1 seconde.
- Ou, en mode veille, appuyez sur le bouton MODE et la console affichera MANUAL. Appuyez sur le bouton MODE, le signal sonore retentit pendant 1 seconde et la fonction MANUAL démarre (Fig. 16-I, page 18). L'écran LCD affiche constamment MANUAL. TIME - DISTANCE - CALORIES - PULSE - SPM - WATCH - RACE commencent à compter et s'affichent en fonction des valeurs calculées.
- Pendant l'exercice, appuyez sur la touche START/STOP jusqu'à ce que STOP clignote. TIME - DISTANCE - TOTAL STROKES - CALORIES affiche toujours la valeur d'entraînement actuelle et PULSE affiche la valeur de la fréquence cardiaque en temps réel.
- Lorsque la touche STOP est affichée sur la console, appuyez sur la touche START/STOP. La console continuera à exécuter la séance d'entraînement. Si vous appuyez sur le bouton RESET alors que vous êtes en mode arrêt, la console reviendra en mode veille. S'il n'y a aucune activité pendant plus de 4 minutes, la console se met automatiquement en mode veille.

### INTERVAL

En mode veille, appuyez sur la touche MODE et la touche UP pour activer et sélectionner la fonction INTERVAL. La console affiche INTERVAL clignotant (Fig. 16-J à 16-M).

**INTERVAL 10/20** Oclignote sur la console. Appuyez sur le bouton MODE et sélectionnez la fonction 20/10. La console clignote 10/20, appuyez sur le BOUTON START/STOP pour lancer la fonction 10/20.

**INTERVAL 20/10** INTERVAL clignote sur la console, appuyez sur le bouton MODE et sélectionnez la fonction 20/10 en appuyant sur le bouton UP. La console clignote 20/10, appuyez sur la touche START/STOP pour lancer la fonction 20/10.

**INTERVAL CUSTOM** La console clignote INTERVAL, appuyez sur le

bouton MODE et sélectionnez le mode CUSTOM en appuyant sur le bouton UP. La console clignote CUSTOM, appuyez sur le BOUTON START/STOP pour démarrer le mode CUSTOM.

## Target

En mode veille, appuyez sur le bouton MODE, puis appuyez sur la touche UP pour sélectionner la fonction TARGET, la console affiche TARGET en clignotant (Fig. 16-N à 16-T).

**TARGET TIME (Fig. 16-O)** Appuyez sur le bouton MODE pendant que TARGET clignote sur la console, puis passez à l'écran de l'appareil. Appuyez sur SET pour accéder à la fonction TARGET TIME. La console affiche toujours TARGET et TIME clignote. Appuyez sur le bouton MODE pour accéder au mode de réglage de l'HEURE.

**TARGET DISTANCE (Fig. 16-P)** Lorsque la fonction TARGET clignote sur la console, appuyez sur MODE pour sélectionner la fonction TARGET DISTANCE. Appuyez sur UP pour accéder à la fonction TARGET DISTANCE. La console affichera toujours TARGET, avec DISTANCE clignotant dans la fenêtre. Appuyez sur le bouton MODE pour lancer la fonction DISTANCE.

**TARGET CALORIES (Fig. 16-Q)** Appuyez sur la touche MODE pendant que TARGET clignote sur la console, sélectionnez la fonction TARGET CALORIES en appuyant sur UP. La console affichera toujours TARGET et la fenêtre CALORIES clignotera. Appuyez sur le bouton MODE pour lancer la fonction CALORIES.

**TARGET STROKES (Fig. 16-R)** Appuyez sur MODE lorsque TARGET clignote sur la console, sélectionnez la fonction TARGET STROKES en appuyant sur UP. La console affichera toujours TARGET, avec STROKES clignotant dans la fenêtre. Appuyez sur le bouton MODE pour lancer la fonction STROKES.

**TARGET PULSE (Fig. 16-S)** Appuyez sur la touche MODE lorsque TARGET clignote sur la console, sélectionnez la fonction TARGET PULSE en appuyant sur UP. La console affichera toujours TARGET, avec PULSE clignotant dans la fenêtre. Appuyez sur le bouton MODE pour lancer la fonction PULSE.

## DIRECTIVES DE FORMATION (FIG. B, 1-5)

Un programme d'entraînement réussi comprend un échauffement, l'entraînement proprement dit et un retour au calme. Effectuez le programme d'entraînement complet au moins deux, mais de

préférence trois fois par semaine et gardez un jour de repos entre les séances d'entraînement. Après quelques mois, l'intensité de l'entraînement peut être augmentée, par exemple à quatre ou cinq fois par semaine.

## L'échauffement

L'objectif d'un échauffement est de préparer le corps à l'entraînement et de réduire le risque de blessure. Réchauffez votre corps pendant deux à cinq minutes avant de commencer un entraînement cardio ou musculaire. Faites des exercices qui augmentent le rythme cardiaque et échauffent les muscles qui travaillent. Exemples de ce type d'activités: course, jogging, jumping jacks, saut à la corde et course sur place.

## Étirements

Les étirements pendant que les muscles sont chauds sont très importants après un bon échauffement et un bon retour au calme. Il réduit les risques de blessures. Les exercices d'étirement doivent être maintenus pendant 15 à 30 secondes. Voici quelques exemples d'exercices d'étirement:

- Toe touch (Fig. B-1)
- Inner thigh stretch (Fig. B-2)
- Hamstring stretch (Fig. B-3)
- Achilles stretch (Fig. B-4)
- Side stretch (Fig. B-5)

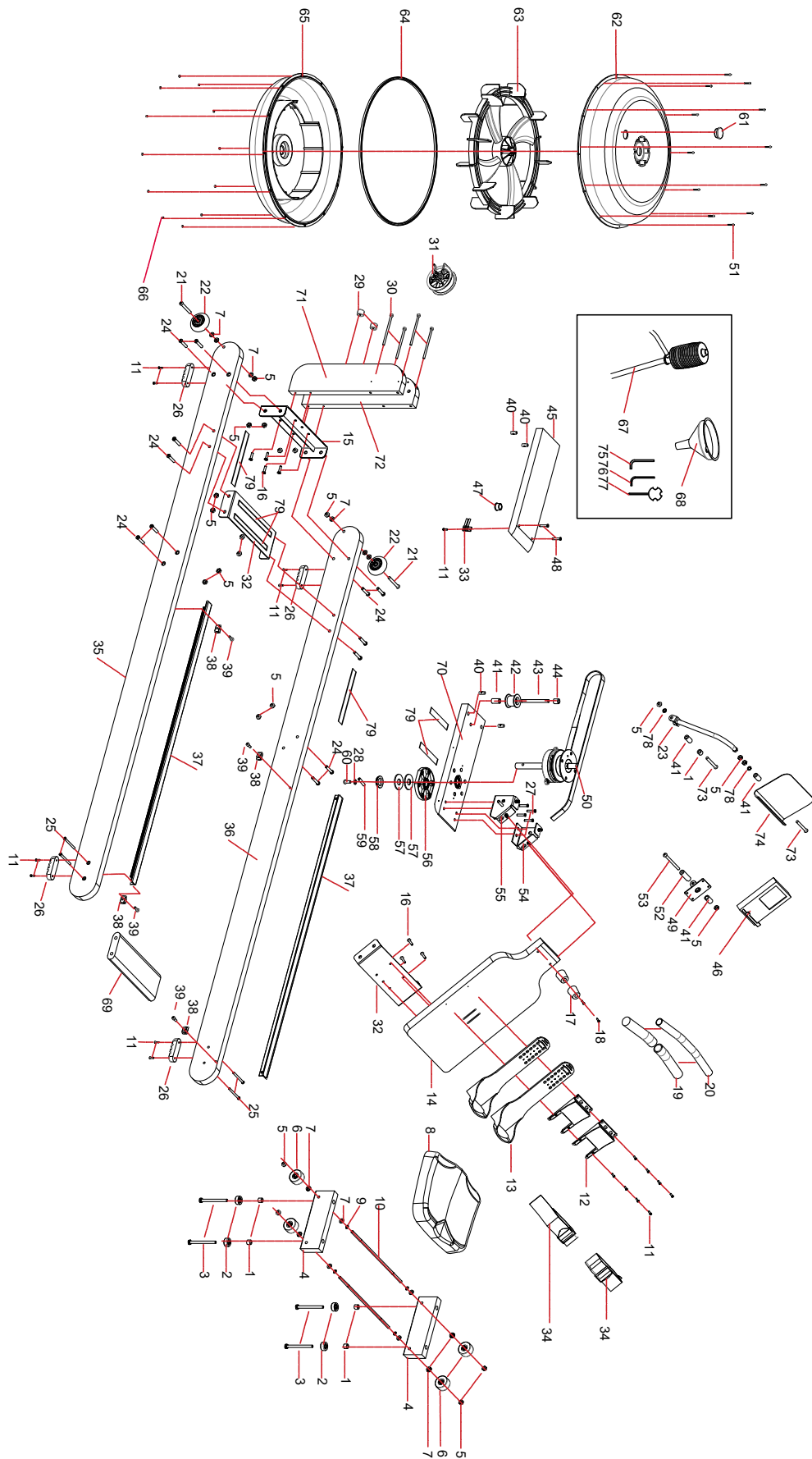
## Retour au calme

Le but du refroidissement est de ramener le corps à sa position de repos (presque) normale à la fin de l'entraînement. Un bon retour au calme réduit lentement votre rythme cardiaque et favorise la récupération.



# EXPLODED DRAWING

# virtufit



# PARTS LIST

**virtufit**

#	DESCRIPTION	QTY.
1	PVC sleeve PVC/φ15*φ8.2*12	5
2	Small roller φ28*11.5	4
3	Hexagon bolt M8×110x20×S14	4
4	Cushion mounting plate 220*73*27	2
5	Nylon nut M8xH7.5xS14	21
6	Seat cushion roller φ46*22	4
7	Flat washer d8×φ16×1.5	26
8	Seat cushion	1
9	Shaft with retaining ring D8×0.8	4
10	Seat roller shaft Q235/φ8*363	4
11	Cross groove pan-head self-tapping screw ST4.2x16xφ7	20
12	Foot bottom 132*106*18	2
13	Adjustable pedal 343*106*56	2
14	The pedals 550*300*27	1
15	Front connecting board assembly 303*100*40*δ2.5	1
16	Hexagon head wood screw M6×25×S10	7
17	Handle rubber pad 33*27*33	2
18	Hexagonal cylindrical head screws M6*40×S4	2
19	PVC grip sleeve	2
20	Handgrip φ25*δ1.5	1
21	Hexagonal pan-head screws M8×65×20×S5	2
22	PU roller φ69*23.5	2
23	IPAD support assembly	1
24	Inner hexagonal flat head screw M8×40×15×S5	12
25	Inner hexagonal flat head screw M6×40×S4	4
26	Foot pad 100*25*25	4
27	Hexagonal pan-head screws M8×25×S5	4
28	Gasket d8×φ16×1.5	1
29	Cushion	2
30	Hexagonal cylindrical head screws M6*70	4
31	Block and tackle	1
32	Front connection board 303*100*40*δ2.5	2
33	Induction line holder	1
34	Straps	2
35	Left slide rail 2116*103*27	1
36	Right slide rail 2116*103*27	1
37	Regula 30*17.5*1027	2
38	Seat cushion block 25*15*10	4

#	DESCRIPTION	QTY.
39	Hexagonal cylindrical head screws M6×16×S5	4
40	M6 cylindrical nut φ10*20	4
41	PVC sleeve φ16*φ10.2*28	5
42	Roller φ51*φ38*32	1
43	Belt roller axle φ10*106	1
44	PVC sleeve φ16*φ10.2*17	1
45	Top connection board 406.5*124*27	1
46	Console	1
47	Shaft sleeve φ25*φ17.2*15	1
48	Inner hexagonal flat head screw M6*30×S4	2
49	Console support bracket	1
50	Drawback assembly	1
51	Cross groove pan-head screw M3x20xφ6	12
52	PVC sleeve PVC/φ15*φ8.2*50	1
53	Hexagonal pan-head screws M8*100	1
54	Right fixed connection assembly	1
55	Left fixed connection assembly	1
56	Plastic bearing base	1
57	Rubber gasket Ø50*6	2
58	Rubber washer	1
59	Fixing pin SUS304/φ8*40	1
60	Hexagonal pan-head screws M8×20×S5	1
61	Tank mouth plug A-φ30.5	1
62	Water tank upper cover φ518*100	1
63	Paddle blade φ462*124	1
64	Water tank sealing ring φ501*7	1
65	Water tank lower cover φ518*100	1
66	Nylon nut M3xH3.8xS6	12
67	Hand pump PE/570	1
68	Funnel	1
69	Connection board 303*107*27	1
70	Water tank fixing board 479.8*124*27	1
71	Left upright board 436.5*103*27	1
72	Right upright board 436.5*103*27	1
73	Hexagonal pan-head screws M8*80	2
74	IPAD assembly	1
75	Allen wrench #5	1
76	Allen wrench #4	1

## PARTS LIST

**virtufit**

#	DESCRIPTION	QTY.
77	Cross spanner	1
78	Elastic pad D8	2
79	EVA mat	6

# *virtufit*

## **VIRTUFIT**

Twekkelerweg 263  
7553 LZ Hengelo  
The Netherlands  
info@virtufit.nl

## **VIRTUFIT SERVICE**

---

Do you have a problem with your VirtuFit fitness equipment and would you like to submit a service request? Then scan the QR code on the right and fill in our service form.

