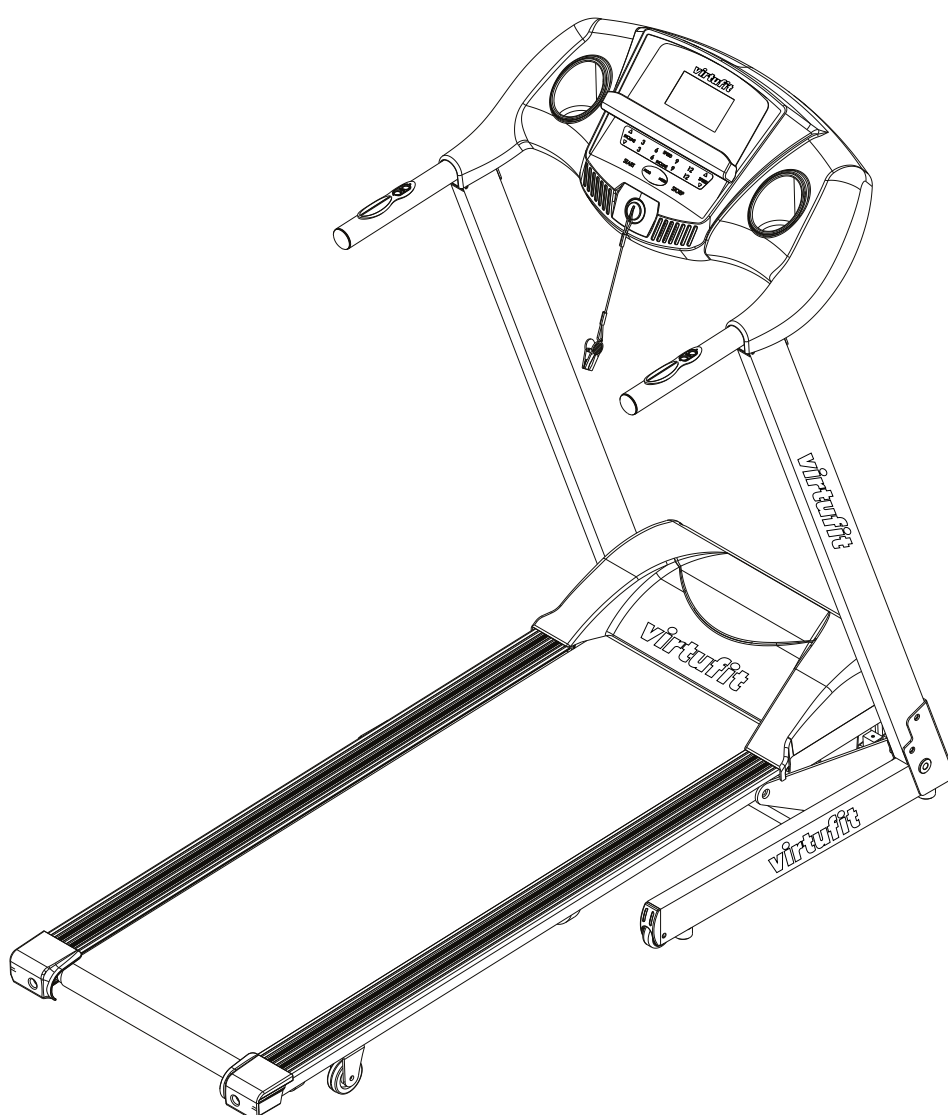


virtu^{fit}

TR-100 Treadmill

Owner's manual



For questions or missing parts please contact Fitness Benelux:



Twekkelerweg 263
7553 LZ Hengelo
The Netherlands

T +31 (0)74-7600219
E service@fitnessbenelux.nl
W www.fitnessbenelux.nl

Warning: Now here we suggest that you should consult with your physician or health professional before starting your workout, especially for the age up to 35 old or once-health problem people. We take no responsible for any troubles or hurts if you don't following our specification. Treadmill will be carefully assembled and covered the motor shield, then connect to the power.

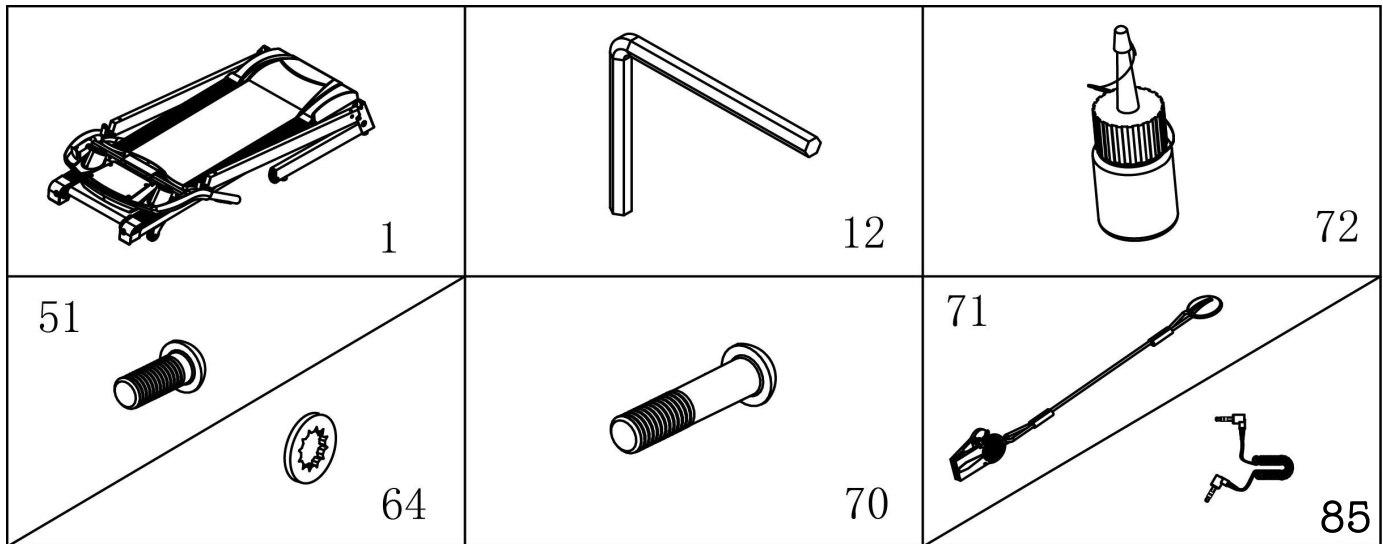
ATTENTION

- Ensuring the safety clamps were attached to the clothing or belts before using the treadmill.
- Please do not insert any items to any part of the equipments, which would damage the equipment.
- Position the treadmill on a clear, level surface. Do not place the treadmill on thick carpet as it may interfere with proper ventilation. Do not place the treadmill near water or outdoors.
- Never start the treadmill while you are standing on the walking belt. After turning the power on and adjusting the speed control, there may be a pause before the walking belt begins to move, always stand on the foot rails on the sides of the frame until the belt is moving.
- Wear appropriate clothing when exercising on the treadmill. Do not wear long, loose fitting clothing that may be caught in the treadmill. Always wear running or aerobic shoes with rubber soles.
- Keep the children and pets away from the treadmill while starting workout.
- Don't exercise in 40-Mints after dinner.
- The equipment is suitable for adults, Juveniles need be accompanied with adults while workout.
- You must hold on to the handrails until you become comfortable and familiar with the treadmill at your first start the workout.
- Treadmill is indoor-using equipment, not outdoor-using for avoiding damage. Keep the store-place clean and flat, drying. Prohibiting the other purpose using, only for workout.
- Please purchase the power-line to the distributor or contact with our company directly, for the power-line only equip to the treadmill.

- If the treadmill should suddenly increase in speed due to an electronics failure or the speed being inadvertently increased, the treadmill will come to a sudden stop when the pull pin is disengaged from the console.
- Do not connect line to the middle of cable; do not lengthen cable or change the cable plug; do not put any heavy thing on cable or put the cable near the heat source; forbid using socket with several holes, these may cause fire or people may be hurt by the power.
- Cut off the power when the equipment is not used. When the power is cut off, do not pull the power line to keep the wire unbroken. Insert the plug to the socket with the safety ground circuit, for the power-line is professional equipment. You must contact with the professional people directly while the line is damaged.
- This Treadmill only for home-using, the max user weight is 120 KGS.
- Please keep the space at least 1 X 2 meter at the end of base frame to escape any accidents!

TOOL KIT

When you open the carton, and you will find the below parts in the carton



Part list:

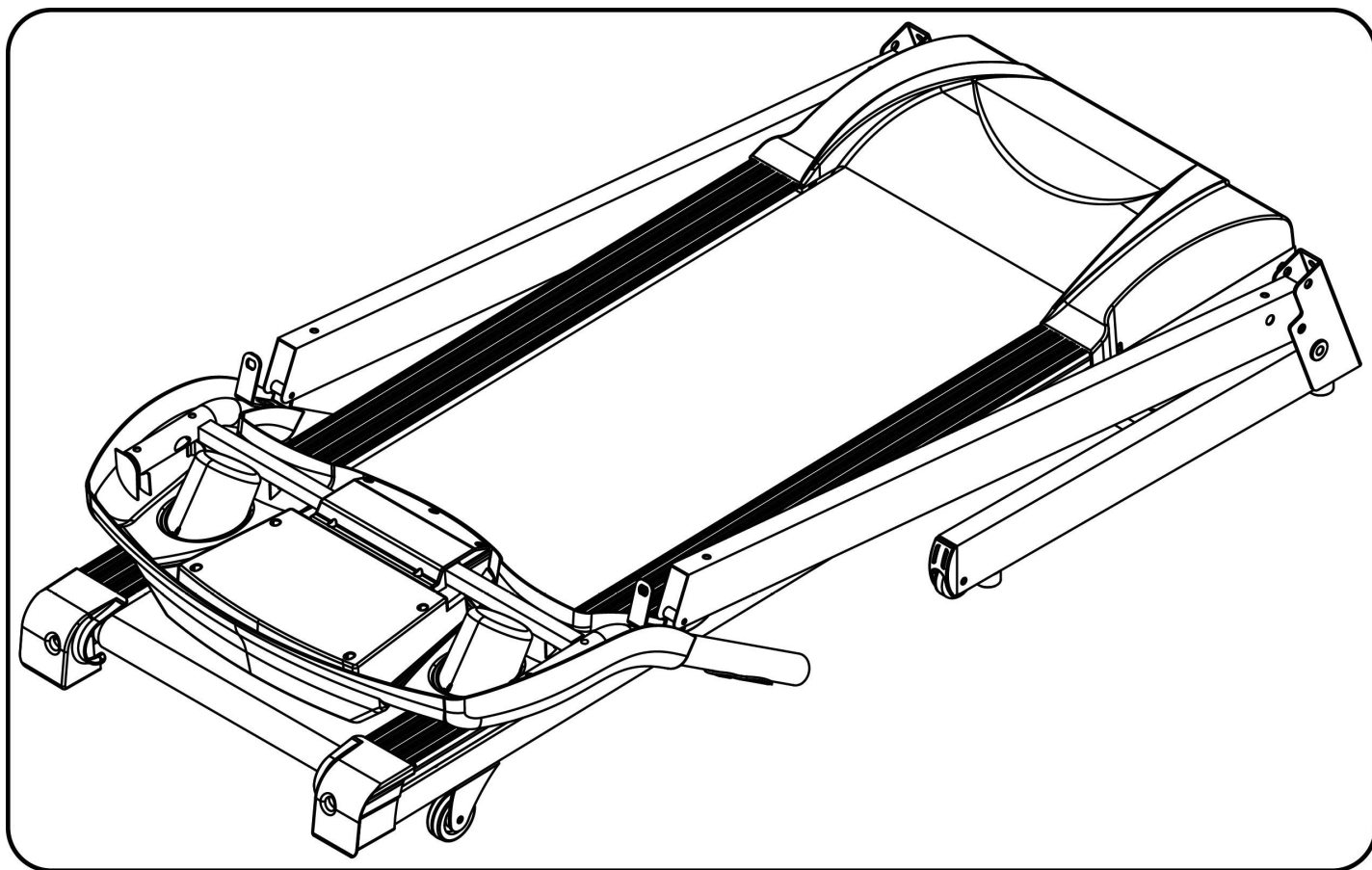
NO.	DESCRIPTION	SPECIFICATION	NO S.
1	Main Frame		1
12	5#Allen Wrench		1
51	Bolt	M8*16	4
64	Lock washer	8	6
71	Safety key		1
72	Oil bottle		1
70	Bolt	M8*45	2
85	MP3 wire	Option	1

Fixing tools:

5#Allen Wrench 5mm 1pcs

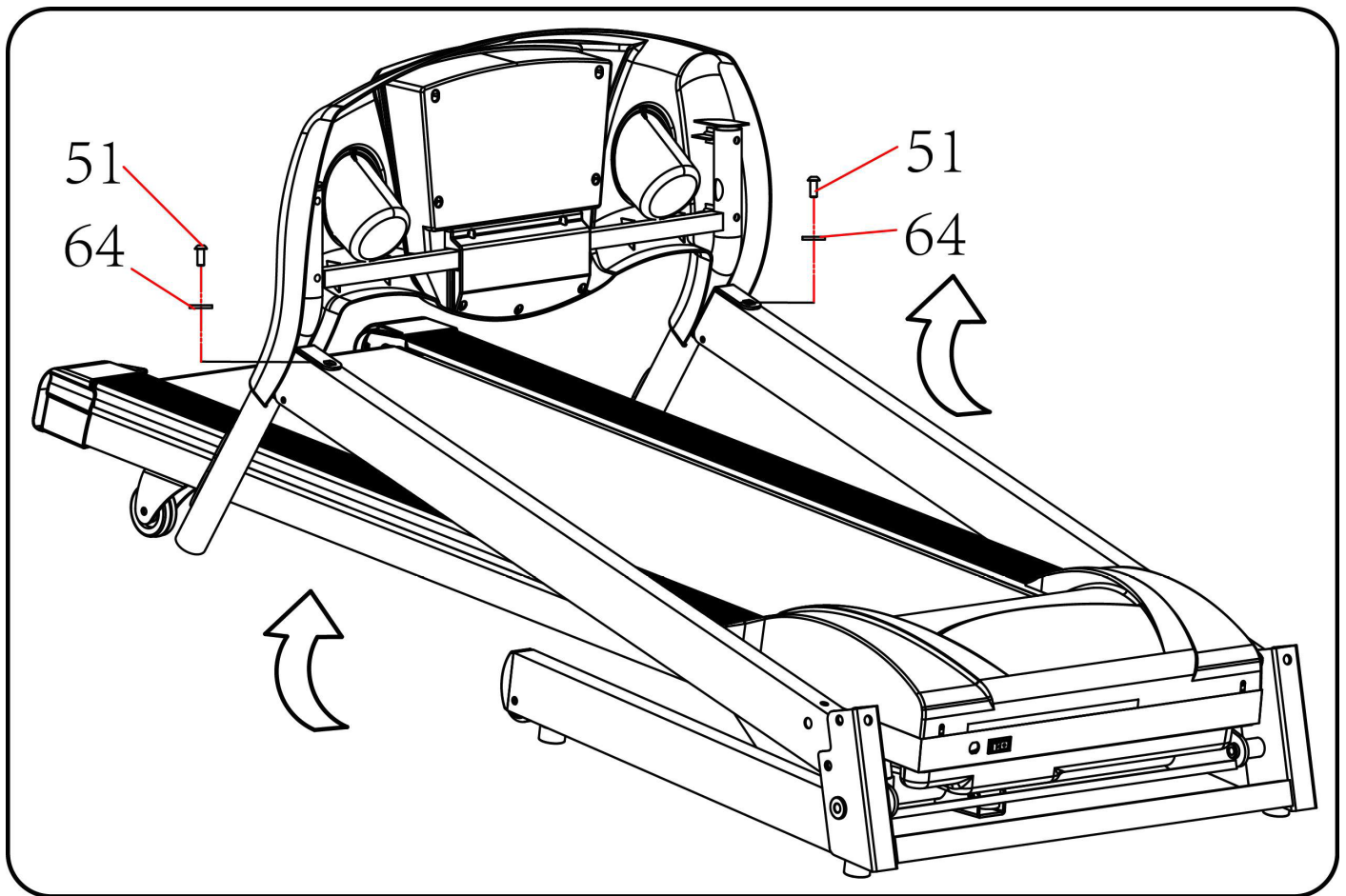
Notice: Do not get through power before complete assembly

STEP 1



Open the carton, get out the above spare parts, put the Main Frame on the level ground.

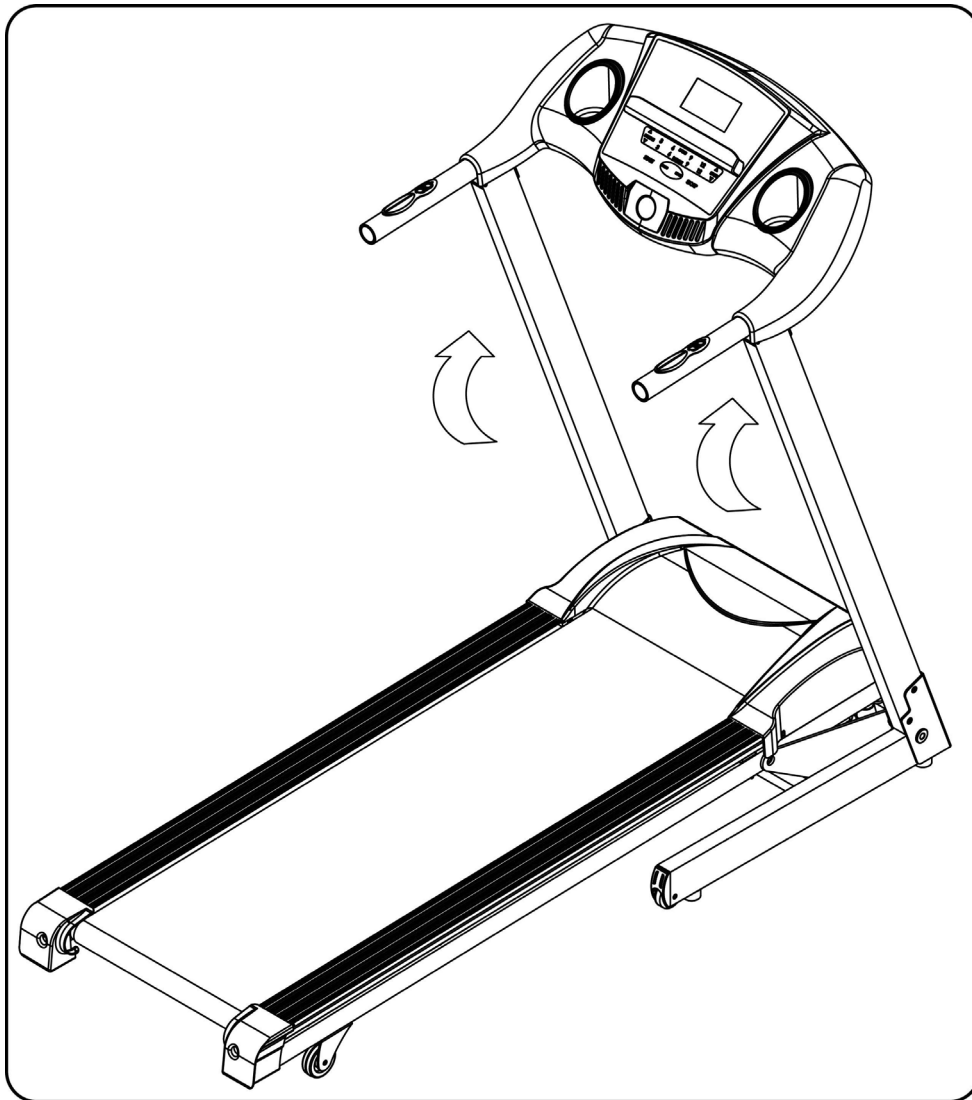
STEP 2



Hold the console frame, use the 5# Allen Wrench, lock the console frame onto left and right upright tube with bolt M8*16(51)& lock washer (64) as the picture above

Notice: When folding, please don't press the computer connecting wires.

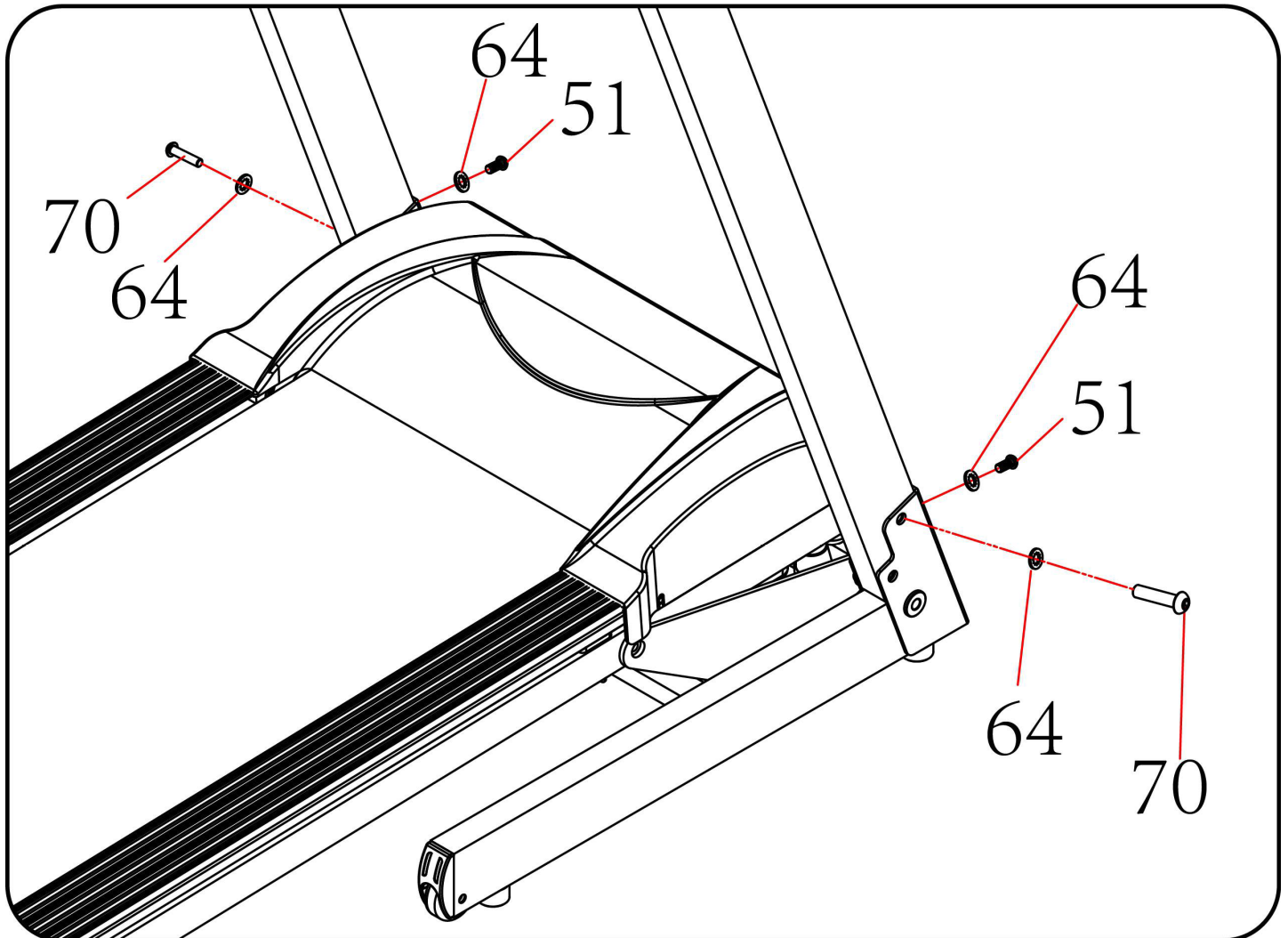
STEP 3



Hold up the Upright.

Notice: Please hold the L& R upright, avoid to have any hurt.

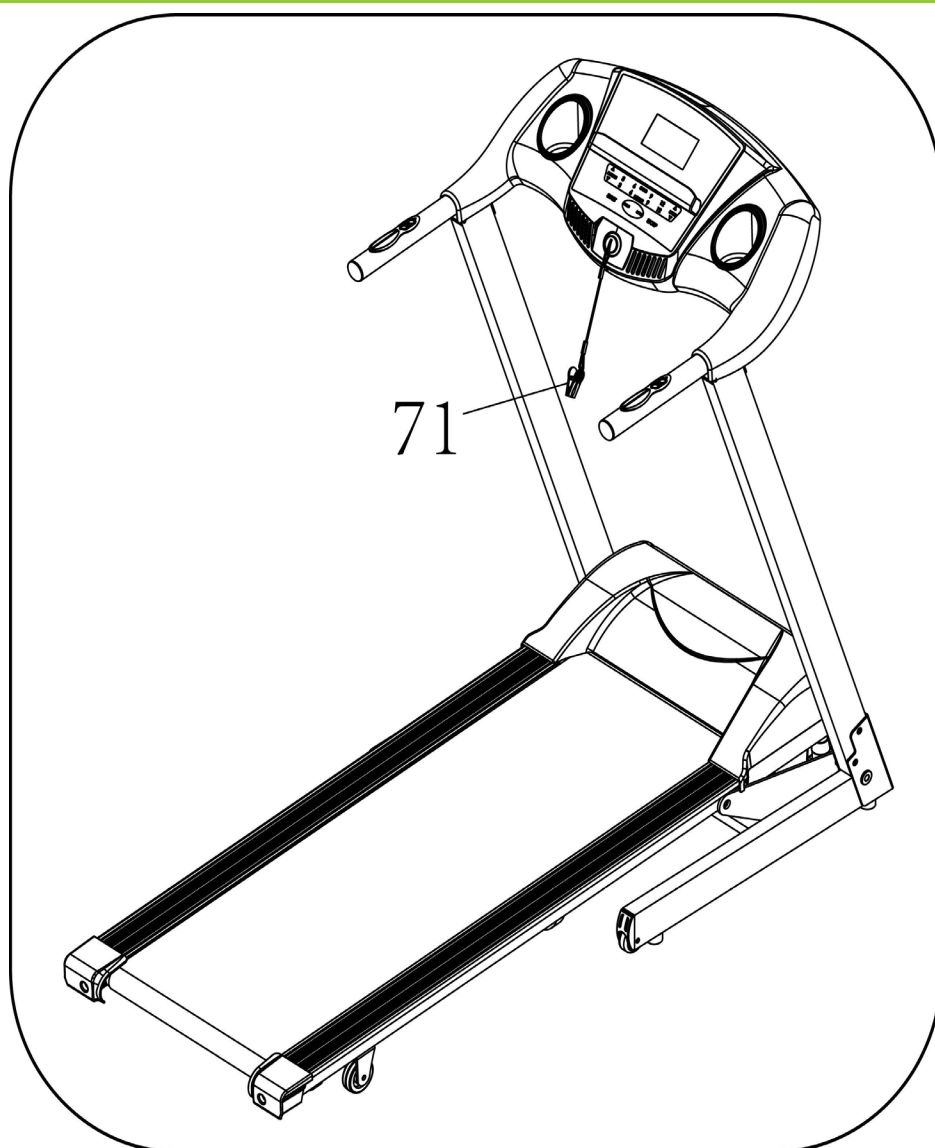
STEP 4



- I. Use the 5# Allen wrench, drill through the Bolt M8*45 (70) to Lock Washer (64), then lock the right upright onto base frame.
- II. Use 5# Allen wrench, drill through M8*16 Bolt (51) to Lock Washer (64) then lock the right upright tubes into the main frame. Reference the picture above.

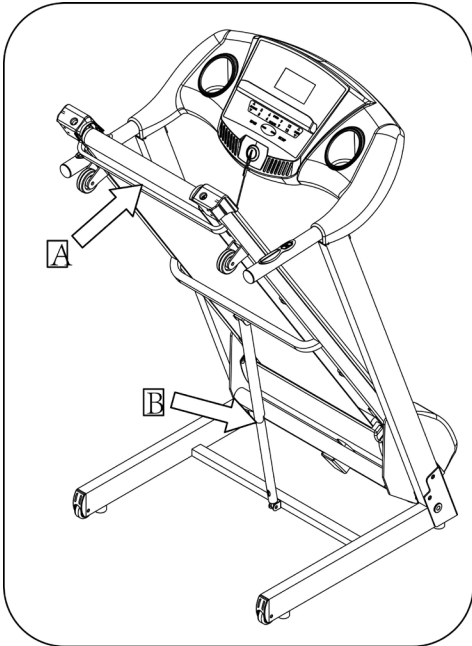
Attention: Hold the upright tube at when locking the upright tube to main frame.

STEP 5



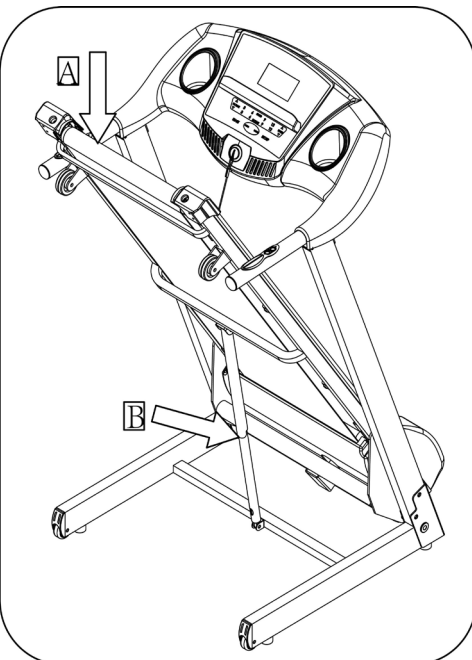
Put on the safety key(71) on the computer

PULLING UP



Hold the position A, pull up the machine, till cylinder gets the position B

PULLING DOWN



Support the position A, kick the position B by foot, and pull down the machine a little, the machine will fall down automatically. Please keep people and animal away to escape any hurt.

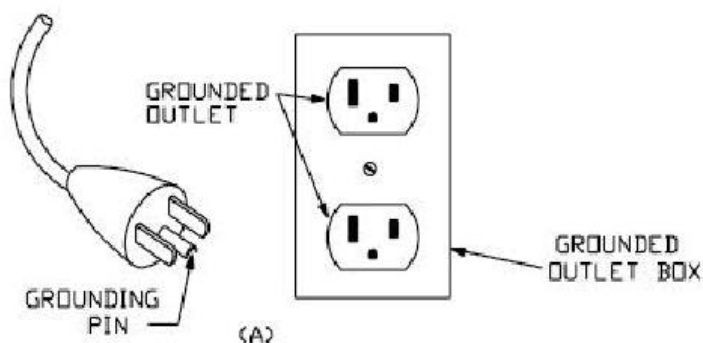
ATTENTION: Please confirm complete assembly as the require above and lock all the bolt. Do the following operation after checking everything is OK. Before you use the treadmill, please read the instruction carefully.

BUILT UP SIZE (mm)	1500*670*1324mm	POWER	As the rating label showing
FOLDABLE SIZE (mm)	885*670*1327mm	MAX POWER	As the rating label showing
RUNNING SURFACE SIZE (mm)	400*1200	SPEED RANGE	1-16KM/H
N.W.	50KG	INCLINE RANGE	0-12%
MAX USER WEIGHT	120 KG		
1 LCD WINDOW	SPEED, TIME, DISTANCE, PULSE, CALORIES		

GROUNDING METHODS

This product must be grounded. If it should malfunction or breakdown, grounding provides a path of least resistance for electric current to reduce the risk of electric shock. This product is equipped with a cord having an equipment-grounding conductor and a grounding plug. The plug must be plugged into an appropriate outlet that is properly installed and grounded in accordance with all local codes and ordinances.

DANGER – Improper connection of the equipment-grounding conductor can result in a risk of electric shock. Check with a qualified electrician or serviceman if you are in doubt as to whether the product is properly grounded. Do not modify the plug provided with the product – if it will not fit the outlet, have a proper outlet installed by a qualified electrician. This product is for use on a nominal 220-240/100-120-volt circuit and has a grounding plug that looks like the plug illustrated in sketch A in following figure. Make that the product is connected to an outlet having the same configuration as the plug. No adapter should be used with this product.(This picture is just reference)



LCD WINDOW DISPLAY



TIME	Show time
DIST.	Show distance
CALO.	Show calories
PUSLE	Show heart beat
SPEED	Show speed
INCLINE	Show incline

KEY FUNCTION

PROGRAM	Press this button to choose program from manual mode—P1----P15---FAT;
MODE	When machine in ready state, press this button to choose the mode: mode-time count down, mode-distance count down, mode-calories count down
START	Press this button to start the machine, the machine will run at the lowest speed or at the speed of default program after 3 seconds time count down;
STOP	Press this button to stop the machine, the machine will stop smoothly;
SPEED ▲ ▼	Adjust the speed. Press the button to adjust the speed when running, and adjust the data when stop;
SPEED (3, 6, 9, 12)	Adjust the speed quickly
INCLINE ▲ ▼	Adjust the incline. Press the button to adjust incline section when run, and adjust the data when stop;
INCLINE (3, 6, 9, 12)	Adjust the incline quickly
BUTTON ON LEFT HANDLE BAR	Speed button;
BUTTON ON RIGHT HANDLE BAR	Incline button;

MAIN FUNCTION

Open the power switch, the window will light, the machine will enter into ready state.

3.1 START-UP QUICKLY (MANUAL):

Attach the magnet end of the safety pulling rope to the computer, press 'START' button to start the machine, it will run at the lowest speed, press SPEED ▲/▼ and incline ▲/▼ to adjust the speed and incline. When you would like to stop machine, press the 'STOP' button or take out the safety key directly.

3.2 COUNT DOWN MODE:

Press the 'MODE' button, it can choose time countdown mode, distance count down mode, calories count down mode, and the window will show the default data and glitter. At the same time, press SPEED and INCLINE ▲/▼ to set the data. Press 'START' button, the machine will run at the lowest speed, you can press SPEED ▲/▼ to change the speed and press INCLINE ▲/▼ to change the incline. When it counts down to 0, the machine will stop smoothly. Certainly, you can press 'STOP' button or take out the safety key from the computer to stop the machine.

3.3 INNER INSTALL PROGRAM:

Press 'PROG' button to choose the inner install program from P1----P15. When set the program, the time window will show default data and glitter, press SPEED button to set the running time. Each program has been divided into 20 section, Each exercise time=the setting time/20. Press 'START', the machine will run at the first section speed. When the section is over, it will enter into next section automatically, the speed will change as next section data. When finish one program, the machine will stop smoothly. During the running, you can change the speed by the SPEED ▲/▼ and INCLINE ▲/▼ whenever, when the program enter next sect will come back to the current speed. And you can press 'STOP' or take out the safety key to stop the machine whenever.

HEART BEAT TEST

When holding the hand pulse by two hands, the pulse window will show your heart beat after 5 seconds. In order to get the heart beat more correct, please test when the machine stop, and holding the hand pulse more than 30 seconds. The heart beat data is just for reference, can not be as the medical data.

BODY FAT TEST

Press 'PROGRAM' button under ready condition, till 'FAT' show in the speed window. 'FAT' is body fat test mode. Press 'MODE' to choose parameter 'SEX / AGE / HEIGHT / WEIGHT', and TIME/DIST window will show "-1-", "-2-", "-3-", "-4-". When set each parameter, press SPEED ▲ / ▼ and INCLINE ▲ / ▼ to adjust the data, and CAL/PULSE window will show the data and press 'MODE' button to finish, and the window will show "-5-" and "---" enter into ready condition. Hold the handle pulse with two hands, it will show your BMI data after 5 seconds.

5.1 Data display and set range

	DEFAULT	RANGE	MARK
SEX (-1-)	0 (MAN)	0 - 1	0 = Male 1 = Female
AGE (-2-)	25	10 - 99	
HEIGHT (-3-)	170 CM	100 - 240 CM	
WEIGHT (-4-)	70 KG	20 - 160KG	

5.2 BMI reference

BMI	
< 19	Thin
19 - 26	Normal
26 - 30	Over weight
> 30	Fat

MP3 FUNCTION (OPTION, IF HAVE)

When the power on, contacting the external MP3 equipment, the computer will play. The voice is adjustable from operate the external MP3 equipment, the voice should be adjusted on the proper section to protect the computer loudhailer.

SAFETY LOCK FUNCTION

Pull out the safety pulling rope, then the treadmill will stop immediately. All the windows display "---", the buzzer will make 3 sound "B—B—", now the treadmill must be stop. Attach the magnet end of the safety pulling rope to the computer, the treadmill will be at the beginning of running.

RUNNING DATA DISPLAY AND SETTING RANGE

SET RANGE	INITIAL	DEFAULT INITIAL DATA	DEFAULT RANGE	RANGE DISPLAY
TIME	30:00	30:00	5:00 - 99:00	0:00 - 99:59
SPEED (KM/H)	---	---	---	1 - 16
DISTANCE (KM)	0	1. 00	0. 5 - 99.5	0:00 - 99:9
INCLINE	---	---	0 - 12	0 - 12
CALORIES	0	50.0	10. 0 - 995	0 - 999

PROGRAM TABLE

TIME PROGRAM	SETTING TIME/20 = INTERVAL RUNNING TIME																				
	1	2	3	4	5	6	7	8	9	10	11	12	13	14	15	16	17	18	19	20	
P01	SPEED	2	3	3	4	5	3	4	5	5	3	4	5	4	4	4	2	3	3	5	3
	INCLINE	1	1	2	2	2	3	3	2	2	1	2	2	2	1	1	3	3	2	2	2
P02	SPEED	2	4	4	5	6	4	6	6	6	4	5	6	4	4	4	2	2	5	4	2
	INCLINE	1	2	2	2	2	3	3	2	2	2	2	2	3	3	3	4	4	3	2	2
P03	SPEED	2	4	4	6	6	4	7	7	7	4	7	7	4	4	4	2	4	5	3	2
	INCLINE	2	3	3	2	2	3	3	3	2	2	2	2	4	4	4	6	6	3	2	2
P04	SPEED	3	5	5	6	7	7	5	7	7	8	8	5	9	5	5	6	6	4	4	3
	INCLINE	2	3	3	2	2	3	3	3	2	2	2	2	4	4	4	6	6	3	2	2
P05	SPEED	2	4	4	5	6	7	7	5	6	7	8	8	5	4	3	3	6	5	4	2
	INCLINE	3	3	3	4	4	5	5	5	4	4	4	4	5	5	3	3	3	2	2	2
P06	SPEED	2	4	4	4	5	6	8	8	6	7	8	8	6	4	4	2	5	4	3	2
	INCLINE	3	5	5	5	4	4	4	3	3	3	3	4	4	4	3	3	3	4	3	2
P07	SPEED	2	3	3	3	4	5	3	4	5	3	4	5	3	3	3	6	6	5	3	3
	INCLINE	4	4	4	4	3	3	6	6	6	7	7	8	8	9	9	6	6	5	3	3
P08	SPEED	2	3	3	6	7	7	4	6	7	4	6	7	4	4	4	2	3	4	4	2
	INCLINE	4	5	5	5	6	6	6	7	8	9	9	9	10	10	10	12	12	8	6	3
P09	SPEED	2	4	4	7	7	4	7	8	4	8	9	9	4	4	4	5	6	3	3	2
	INCLINE	5	5	5	6	6	6	4	4	6	6	5	5	8	8	9	9	9	7	4	2
P10	SPEED	2	4	5	6	7	5	4	6	8	8	6	6	5	4	4	2	4	4	3	3
	INCLINE	5	6	6	6	7	5	8	8	4	4	4	5	5	8	8	10	10	8	6	3
P11	SPEED	2	5	8	10	7	7	10	10	7	7	10	10	6	6	9	9	5	5	4	3
	INCLINE	4	5	3	2	6	6	2	2	2	2	2	4	5	6	3	2	5	5	2	0
P12	SPEED	3	4	9	9	5	9	5	8	5	9	7	5	5	7	9	9	5	7	6	3
	INCLINE	1	2	3	2	3	5	5	0	0	2	3	5	7	3	3	5	6	5	3	3
P13	SPEED	3	6	7	5	9	9	7	5	5	7	9	5	8	5	9	5	9	9	4	3
P14	SPEED	2	2	4	5	6	5	4	3	2	1	2	3	4	5	6	5	4	3	2	1
P15	SPEED	2	4	6	8	6	6	4	4	2	2	2	4	6	8	6	6	4	4	2	2

WARM UP STAGE

If you are over 35 years old, or not very healthy, also it's your first time exercise, please consult with your doctor or professional person.

Before you use the motorized treadmill, please learn how to control the machine, know well how to start, stop, adjust the speed and so on, don't stand on the machine at this time. After that, you can use the machine.

Stand on anti-slip pad both sides and handle the handle bar with your both hands. Keep the machine at the low speed about 1.6~3.2 km/h, then test the running machine by one foot, after get used to the speed, then you can run on the machine and you can add the speed between 3 and 5 km/h. Keep the speed about 10 minutes, then stop the machine.

EXERCISE STAGE

Learn how to adjust the speed and incline before using. Walk about 1 km at stable velocity and write down the time, it will take you about 15-25 minutes. If walk at 4.8 km/h, it will take you about 12 minutes in 1 km. If you feel comfortable at the stable velocity, you can add the speed and incline, after 30 minutes, you can have good exercise. At this stage, you can not add the speed or incline too much at one time, it can keep you feel comfortable.

EXERCISE INTENSITY

Warm up at the speed 4.8 km/h in 2 minutes, then add the speed to 5.3 km/h and keep walking in 2 minutes, then add to 5.8km/h and walk in 2 minutes. After that, add up 0.3 km/h in each 2 minutes, until rapid breath but not feel comfortable

Calorie burning---the best effective way

Warm-up for 5mints by the velocity:4-4.8KM/H, then slowly increase the speed by 0.3KM/H/2Mints ,until up to the stable speed which you feel is comfortable for 45Mints.For improving the intensity of movement, you can maintain the speed during 1H of TV program, then increase the speed by 0.3KM/H each Advertisement interval time, after that return to the original speed . You can acquaint the best efficiency of workout for calorie burning during the advertisement time and subsequent heart frequency increasing time. Finally , you should slow down the speed step by step for 4Mints.

EXERCISE FREQUENCY

The cycle time: 3-5times/Week, 15-60mints/Times. Make up the schedule of workout scientific, not only for your hobby.

You can control the running intensity through adjusting the velocity and incline of treadmill. We suggest that you don't set the incline at first; improve the incline is the effective way to strengthen the exercise's intensity.

Consult with your physician or health professional before starting your workout. The professional people can help you make up the suitable exercise time-chart according to your age and health condition, determine the 12 velocity of movement, the intensity of exercise. Please stop at once, If you feel chest tightness, chest pain, irregular heart beat, breath difficulty, dizziness or other discomfort during exercise. You should consult with your physician or health professional as keep going.

You can choose the normal walking speed or the jogging speed ,if you always take workout with treadmill. If you don't have enough experiences or confirm the testing velocity ,you can follow the instruction:

Speed 1-3.0 KM/H	not well physical
Speed 3.0-4.5 KM/H	less movement and workout
Speed 4.5-6.0 KM/H	normal walking
Speed 6.0-7.5 KM/H	fast walking
Speed 7.5-9.0 KM/H	jogging
Speed 9.0-12.0 KM/H	intermediate speed walking
Speed 12.0-14.5 KM/H	well experiences of running
Speed 14.5-16.0 KM/H	excellent runner

Attention: The velocity of movement ≤ 6 KM/H , the normal walking; The velocity of movement ≥ 8.0 KM/H ,the runner.

Before exercise, it is better to do stretching exercises. Warm muscles stretch more easily, so the first of 5 ~ 10 minutes to warm up. Then in accordance with the following methods to stop and do stretching exercises, do five times, each leg every time 10 seconds or more time to do it again after the end of the exercise.

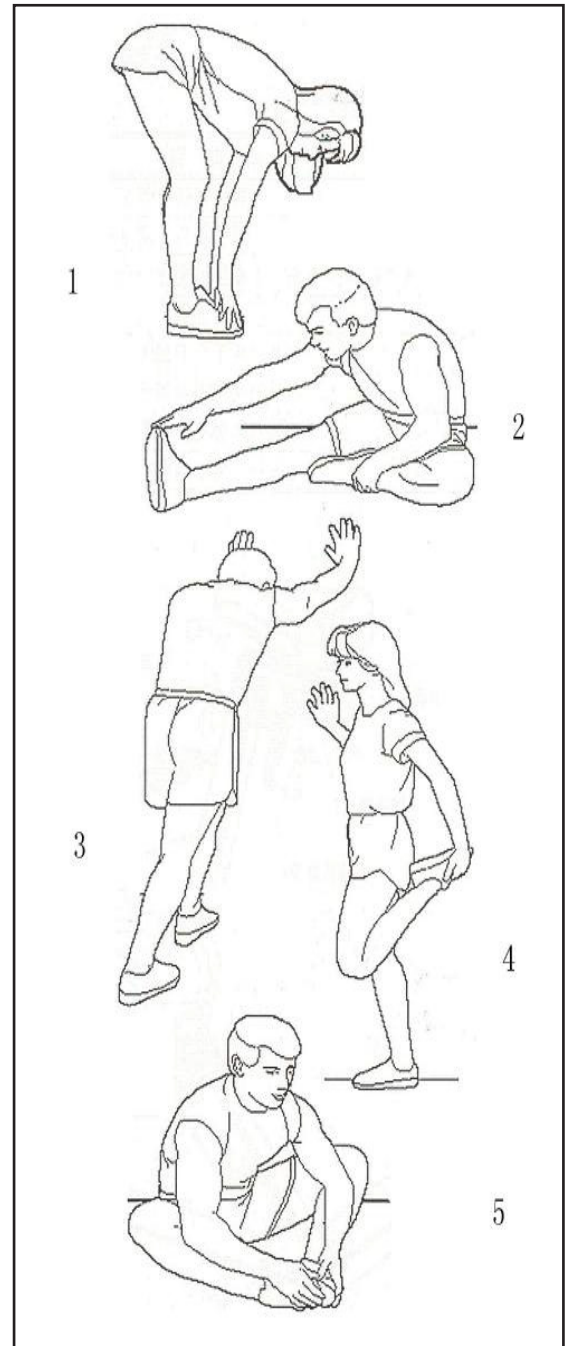
I. Down the stretch: knees slightly curved, the body bent forward slowly, so that the back and shoulders relaxed, hands try to touch your toes. Maintain 10 to 15 seconds, then relax. Repeat three times to do (see Figure 1).

II. Hamstring stretch: sitting on the clean seat, put one leg straight. Inward close to the other leg to make it close to the inside leg straight. hand try to touch the toes. Maintain 10 to 15 seconds, then relax. Repeat for each leg do three times (see Figure 2).

III. Legs and feet tendon stretch: two on the Rotary wall or tree stand, one foot in the post. Keep legs straight and heel to tilt the direction of the wall or tree. Maintain 10 to 15 seconds, then relax. Repeat for each leg do three times (see Figure 3).

III. Uadriceps stretch: the left hand wall or table to master balance, and then stretched his right hand back to seize the right foot to the buttocks with slowly pull until you feel the front thigh muscles tense. Maintain 10 to 15 seconds, then relax. Repeat for each leg to do three times (see Figure 4)

V. Sartorius muscle (inner thigh muscles) stretch: Foot In contrast, the knee outward to sit down. The hands grasp the feet to the groin pull. Maintain 10 to 15 seconds, then relax. Repeat three times(see Figure 5).



Warning: ALWAYS UNPLUG THE TREADMILL FROM THE ELECTRICAL OUTLET BEFORE CLEANING OR SERVICING THE UNIT.

Clean: General cleaning of the unit will greatly prolong the treadmill.

Keep treadmill clean by dusting regularly. Be sure to clean the exposed part of the deck on either side of the walking belt and also the side rails. This reduces the build up of foreign material underneath the walking belt by wearing the clean running shoes.

Warning: Always unplug the treadmill from the electrical outlet before removing the motor cover. At least once a year remove the motor cover and vacuum under the motor cover.

RUNNING BELT AND DECK LUBRICATION

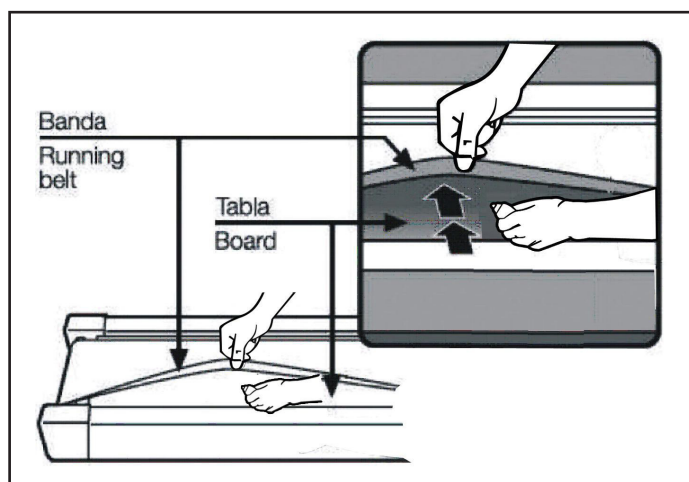
This treadmill is equipped with a pre-lubricated, low maintenance deck system. The belt/ deck friction may play a major role in the function and life of your treadmill, thus requiring periodic lubrication. We recommend a periodic inspection of the deck. You need contact with our service center if you find the damage of the deck.

We recommend lubrication of the deck according to the following timetable:

- | | | |
|------|--------------------------------------|--------------------|
| I. | Light user (less than 3 hours/ week) | annually |
| II. | Medium user (3-5 hours/ week) | every six months |
| III. | Heavy user (more than 5 hours/ week) | every three months |

We recommend that you buy the lubrication from our distributor or directly to our company.

Attention: Any repair need the professional technician.



I. We suggest that you should cut off the power for 10Mints after keep running 2HS ,so that it's good for maintain the treadmill.

II. For avoiding the slipping during running , the belt not too loose; for avoiding the more abrasion between the roller and belt and maintain the machine's good running ,the belt not too tight. You can adjust the distance between plates and belt, the belt be away from the plates about 50-75mm on both sides ,if the best not too tight and loose.

Place the treadmill on a level surface. Run about 6-8 km / h to see if the tire is running properly.

FIG A. If the strap pulls to the right, remove the safety key and turn off the switch. Turn the right adjusting bolt 1/4 turn clockwise. Start walking until the belt is centered.

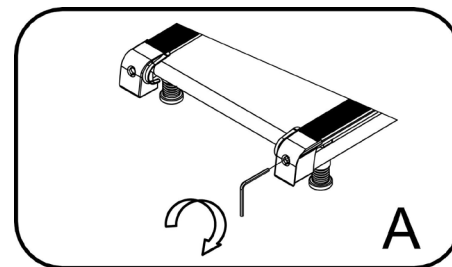


FIG B. If the belt pulls to the left, remove the safety key and turn off the switch. Turn the left adjusting bolt 1/4 turn clockwise. Start walking until the belt is centered.

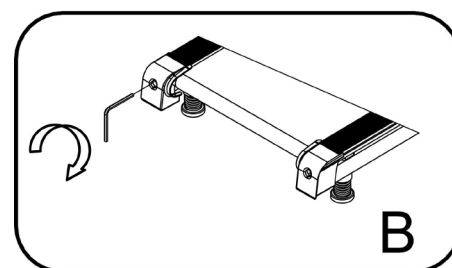
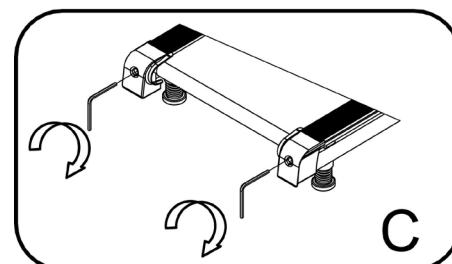
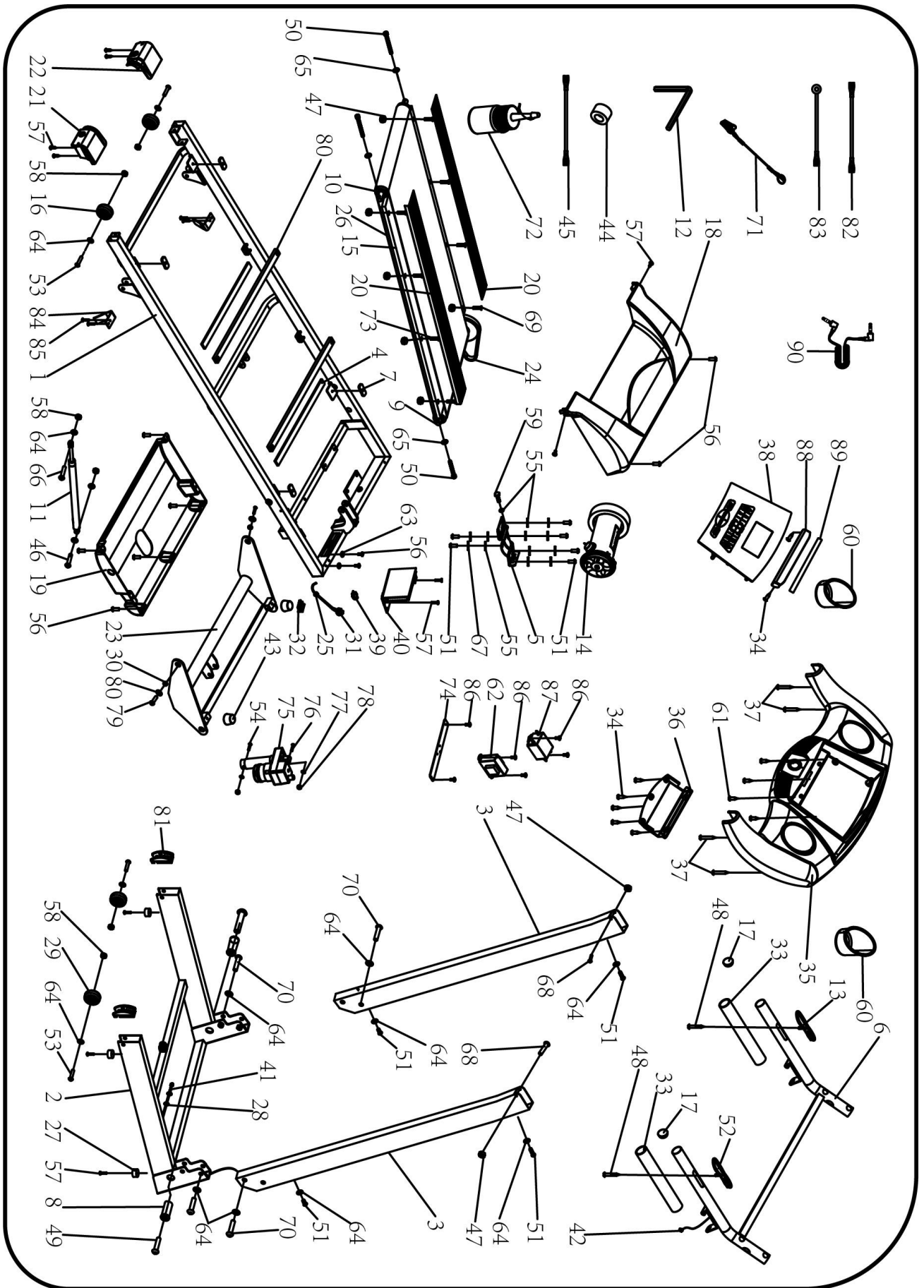


FIG C. Adjust the tightness of the belt in time because it loosens with use. In this case, remove the safety pin and turn off the switch. Turn the left and right adjusting bolt clockwise 1/4 of a turn. Start walking again until the belt is properly tightened.





#	Description	Remark	QT
1	Main Frame		1
2	Base Frame		1
3	Upright frame		2
4	Running Board Strengthen tube		4
5	Motor Bracket		1
6	Computer Bracket		1
7	Rubber pad1		4
8	Turning tube		2
9	Front Roller		1
10	Rear Roller		1
11	Cylinder		1
12	5#Allen wrench	5mm	1
13	Hand pulse with incline + -		1
14	DC Motor		1
15	Running Board		1
16	Adjustable wheel		2
17	Inner circle end cap		2
18	Motor up cover		1
19	Motor bottom cover		1
20	Side rails		2
21	Right back end cover		1
22	Left back end cover		1
23	Incline bracket		1
24	Motor belt		1
25	Power wire buckle		1
26	Running belt		1
27	Foot pad		4
28	Ring wire protector B		2
29	transportation wheel		2
30	Interval tube		2
31	Standard power wire		1
32	switch		1
33	foam		2
34	Bolt	ST4.2*13	7
35	Computer up cover		1
36	Computer sealing		1
37	Bolt	ST4.2*20	4
38	Computer		1
39	Overload protector		1
40	Control board		1
41	Computer bottom wire		1
42	Computer up wire		1
43	Cushion		2

#	Description	Remark	QT
44	Magnetic ring		1
45	Blue single wire		1
46	Bolt	M8*25	1
47	Screw	M6	10
48	Bolt	ST4.2*28	2
49	Bolt	M10*70	2
50	Bolt	M6*65	3
51	Bolt	M8*16	10
52	Hand pulse with speed + -		1
53	Bolt	M8*40	4
54	Bolt	M10*55	4
55	Flat washer	8	7
56	Bolt	ST4.2*19	8
57	Bolt	ST4.2*19	8
58	1 lock nut	MB	4
59	Washer	m8*25	1
60	Water bottle cage		2
61	Bolt	ST4.2*20	4
62	Ring wire protector B		1
63	Lock washer	5	2
64	Lock washer	8	14
65	Lock washer	6	3
66	Bolt	M8*42	1
67	Lock washer	8	6
68	Bolt	M6*37	2
69	Bolt	M6*35	8
70	Bolt	M8*45	4
71	Safety key		1
72	Oil bottle		1
73	Bolt	M6*35	4
74	Bolt	ST4.2*25	4
75	Incline motor		1
76	Bolt	M10*42	1
77	Lock washer	10	2
78	1 nut lock	M10	2
79	Bolt	M10*20	2
80	Plat ring	10	2
81	Wheel cover		2
82	Nylon isolation mat		1
83	Ipad frame		1
84	EVA		1
85	MP3 wire	Option	1

CODE	SOLUTION
E 01	Reason:signal failed connected between computer and controller
	Solution: check the wire is without damaged and connected well,if all these are OK,then replace the IC of controller or computer
E 02	Reason:The voltage of motor is not detected by controller
	Solution:Check whether the positive and negative line of motor succeed connected with the terminal interface of controller,if it is OK,then Check if the power tube on the controller and peripheral components is damaged or not,consider to change controller or motor
E 03	Reason: Speed feedback is not detected by controller when motor is running
	Solution: First observe whether the motor rotate when the machine start and show E03,then check the light sensor is fixed well or not,light sensor line is damaged or not ,and the interface between light sensor and 4 white pin on the controller is connected well or not,if all these above are OK, check if the peripheral area of the four white pin is damaged or not,then consider to change controller and IC
	If the motor is not running when you start the machine,and show E03,then check if the motor is stuck or not,consider to replace the motor
E 05	Reason :When the motor is running,the voltage is over the protection value
	Solution: check if the motor is under a good condition,and is there anything stuck in running belt,roller so as to increased the resistance of running motor.If all these above is OK,please replace the controller
E 07	Reason:signal of the safety key is not detected by the computer so as to show E07 or" ---- ---- "
	Solution: check the magnetic parts of the safety key is put well.then Open the computer, check safety switch line plug is good, the safety switch board is damaged or plug in position.
SPEED IS OUTCONTROLL	Solution:Take E03 problem as an example
NO POWER	Solution: I. check if the fuse is OK II.If the power plug terminal good contact with the controller.
ABNORMAL MOTOR TORQUE	Solution: I.Please check whether the motor is abnormal, or replace the motor.,the belt elastic fit II. Confirm the motor have no problem,please replace control board or IC after replacement.
MOTOR BURNED	Solution:check if the control is also burned. 2.replace the motor. 3.replace the controller
INCLINE IS OUTCONTROLL	Solution:Check if the incline motor power wire and 3pin line is good connected with controller,if it is good ,then operate as follow:
	I. remove the computer wire installed on the controller(safety lock),turn on the power,press the small key on the right conner of controller 2 seconds
	II. release this key,the incline motor will detect signal by itself,and lift to the highest level,fallen down to the lowest level after a while

	III. When the motor hit bottom, after 3 seconds, the automatic detection process is over.
	IIII. after the automatic detection,connect the computer wire(or the safety key),operate the computer function and test the incline function
	V. or change the controller.
POWER INTERRUPTION	Solution: I.check if the wire is connected good II.wire connected with controller is in position.
NO DISPLAY LCD	Solution: I.check if the voltage is correct II.check if the electronic power supply is 8 V if it is,change the controller,if not,change the computer
LCD SCREEN FLASH	Solution:I.check the power is OK II. Check if the electronic power supply is 8 V ,if it is,change the controller,if not,change the computer
LCD DISPLAY BAD	Solution:Turn off the power supply first, repower the engine, observe it is normal or not, if not, please take off the computer and fixed PCB ,and check whether it is damaged,if not, please clean the PCB gold finger position and retest
LCD DISPLAY BUT DYSFUNCTION	Solution:Turn off the power supply first, repower the engine,if the problem is not tackled,change the computer.
BACKLIGHT IS NOT BRIGHT	Solution:Turn off the power supply first, repower the engine .start the computer,check if the wire is good connected ,backlight is damaged or not 3.change the computer
USB CARD CAN'T PLAY THE MUSIC	Solution:Test the MP3 jack is normal, if also not work, open the computer to see if amplifier plate connections Plug is good, such as MP3 jack can play, please replace the USB to try again,or change the computer
SAFETY LOCK HAS NO EFFECT	Solution: I.Check the safety lock is correctly put II.take off the computer,check if the switch and wire is under good condition or change the computer.
BUTTON HAS NO FUNCTION	Solution: I.If there is only one key not work, please open the spreadsheet, check whether the key damage. Or replace the computer II.If it is the most key don't work, please turn the computer on again, to see if it is normal or change the computer
PULSE KEY WITHOUT INDUCTION	Solution: I.Wash your hands clean, test again II. Please check the hand heartbeat cables damaged or not, connecting terminal is good contact or not III. change PCB or computer
HAND BUTTON NO ACTION	Solution: I.Please check the hand heartbeat cables damaged or not, connecting terminal is good contact or not, II.change the computer

HAND BUTTON NO SENSORS	Solution: I. Wash your hands and clean, then holding the hand pulse again. II. Please check the wire of hand pulse is ok or not, connecting terminal is good contact or not III. If the connecting terminal is ok, please change the computer.
HAND BUTTON NO WORKING	Solution: I. Please check the wire of hand pulse is ok or not, connecting terminal is good contact or not II. Please change the hand pulse.

For questions or missing parts please contact Fitness Benelux:



Twekkelerweg 263
7553 LZ Hengelo
The Netherlands

T +31 (0)74-7600219
E service@fitnessbenelux.nl
W www.fitnessbenelux.nl