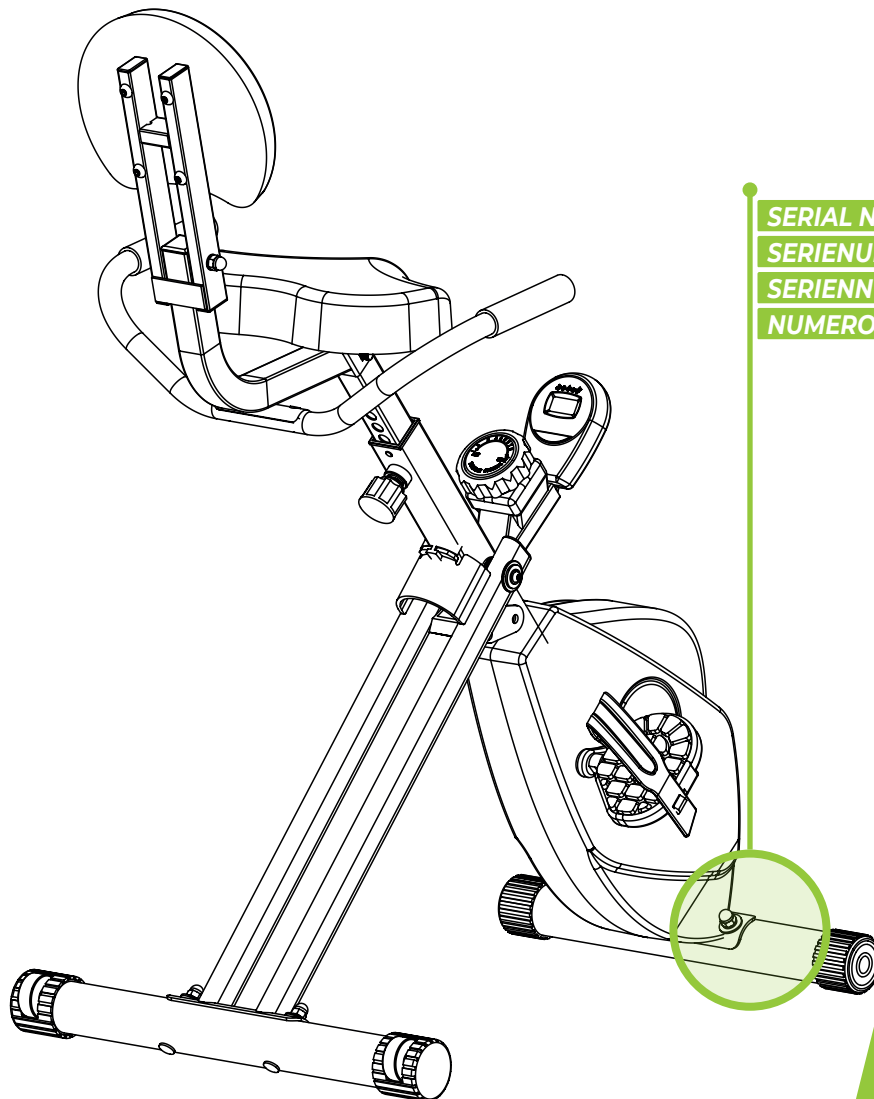


# virtufit

Opvouwbare Deskbike  
met Computer en Rugleuning

VFDESKR



SERIAL NUMBER  
SERIENUMMER  
SERIENNUMMER  
NUMERO DE SERIE

ASSEMBLY  
VIDEO



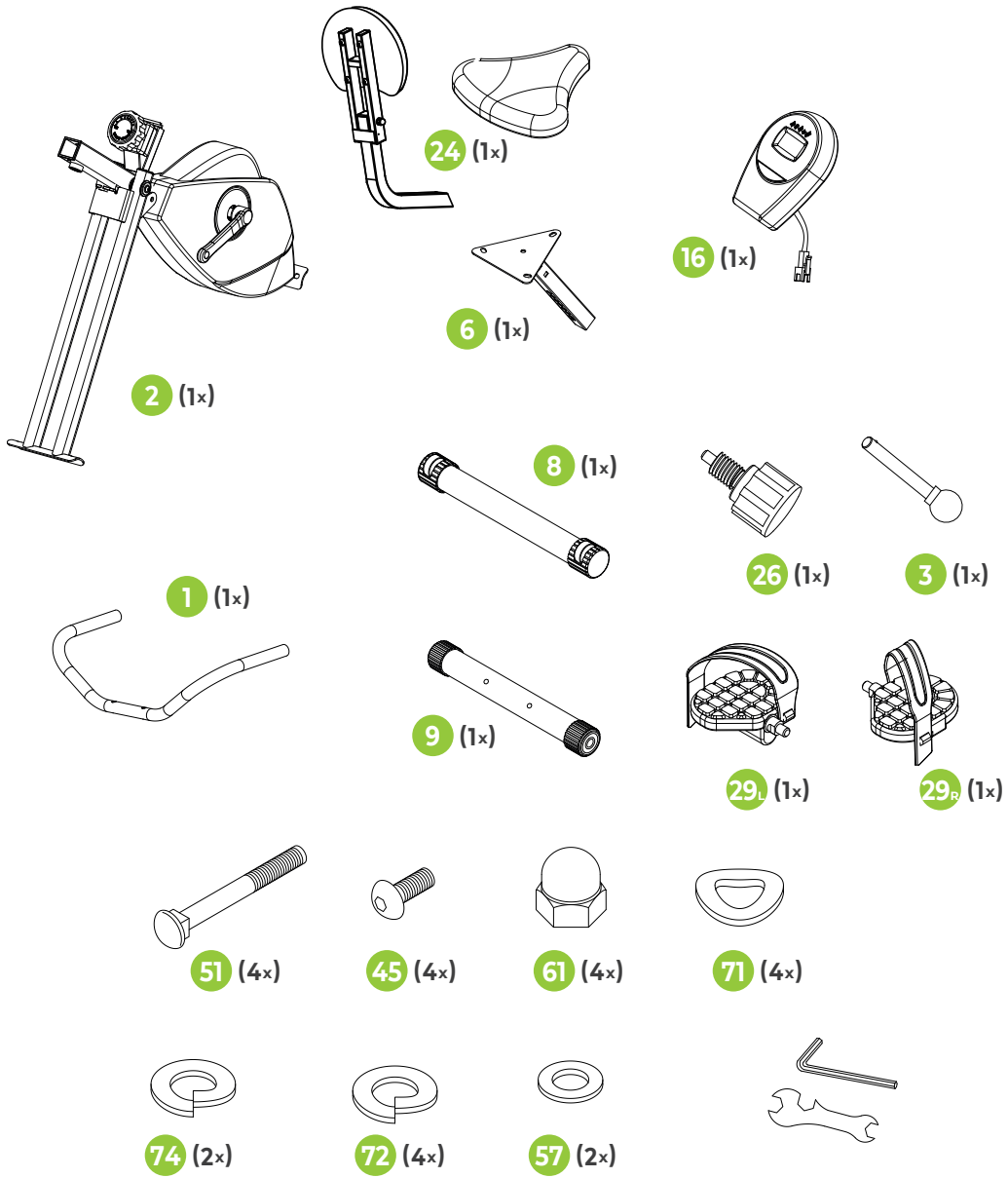
📍 @virtufit\_fitness

▶️ VirtuFit

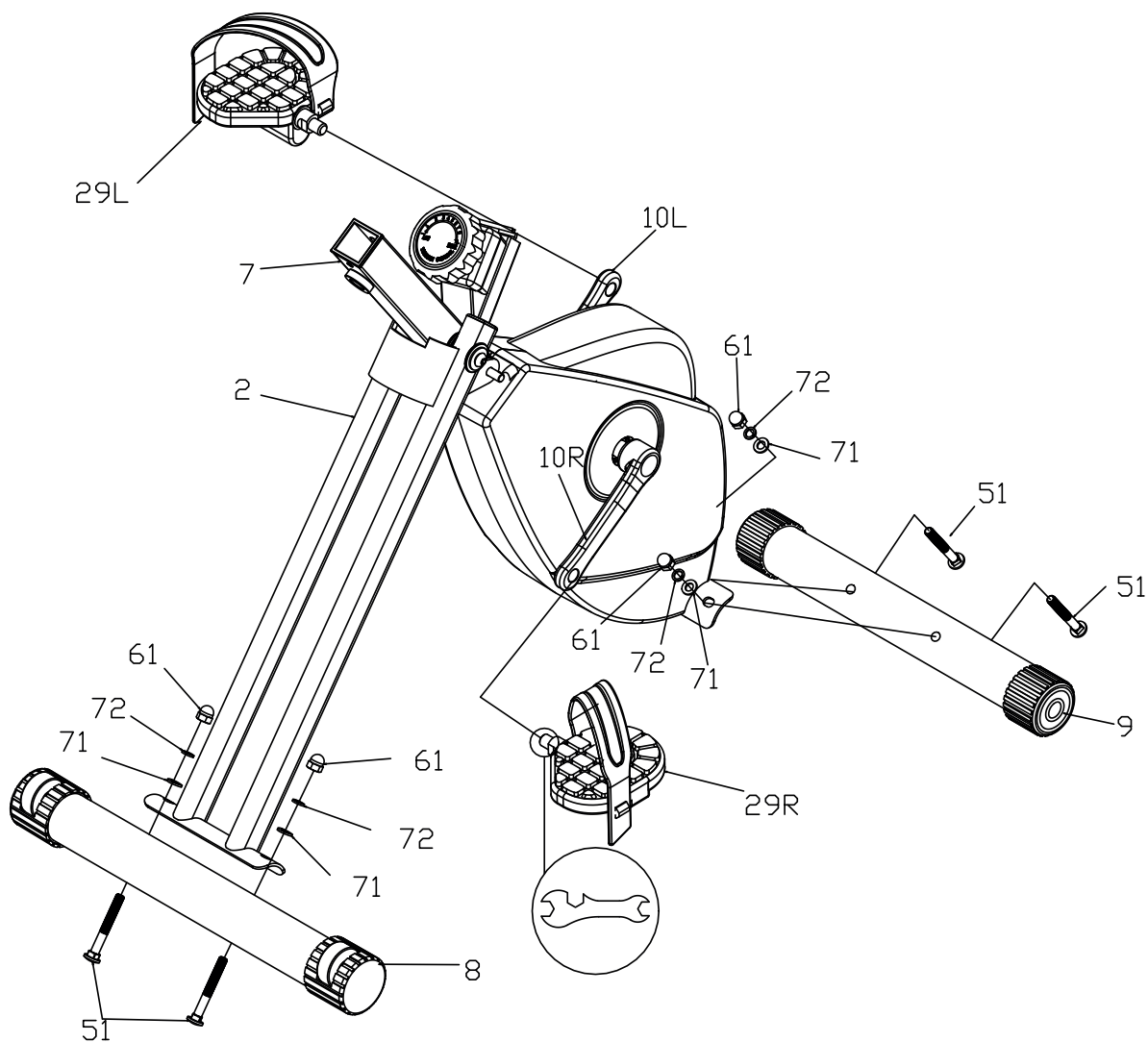
🌐 [www.virtufit.com](http://www.virtufit.com)

USER MANUAL

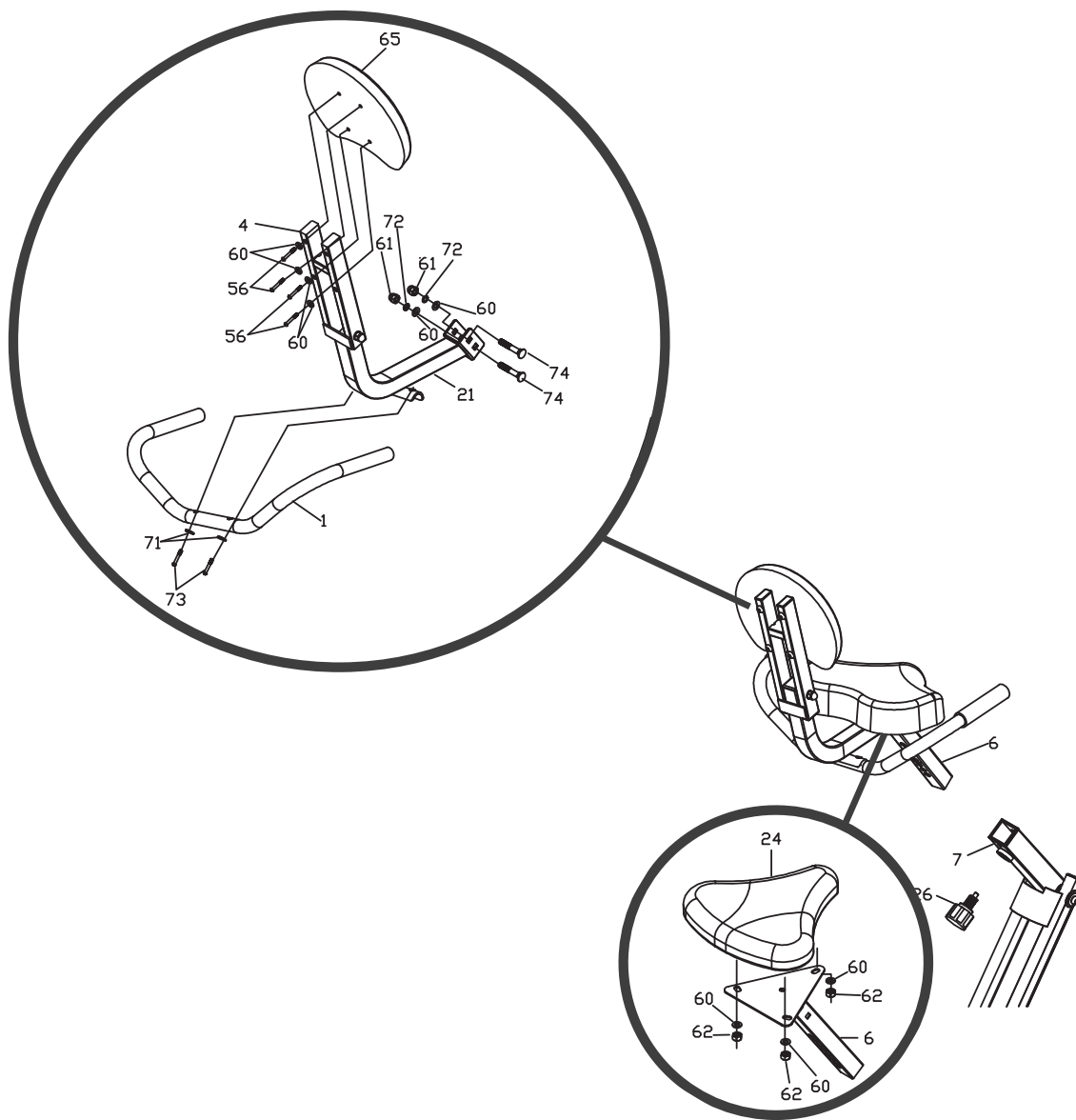
TOOLKIT



STEP 01



STEP 02



STEP 03

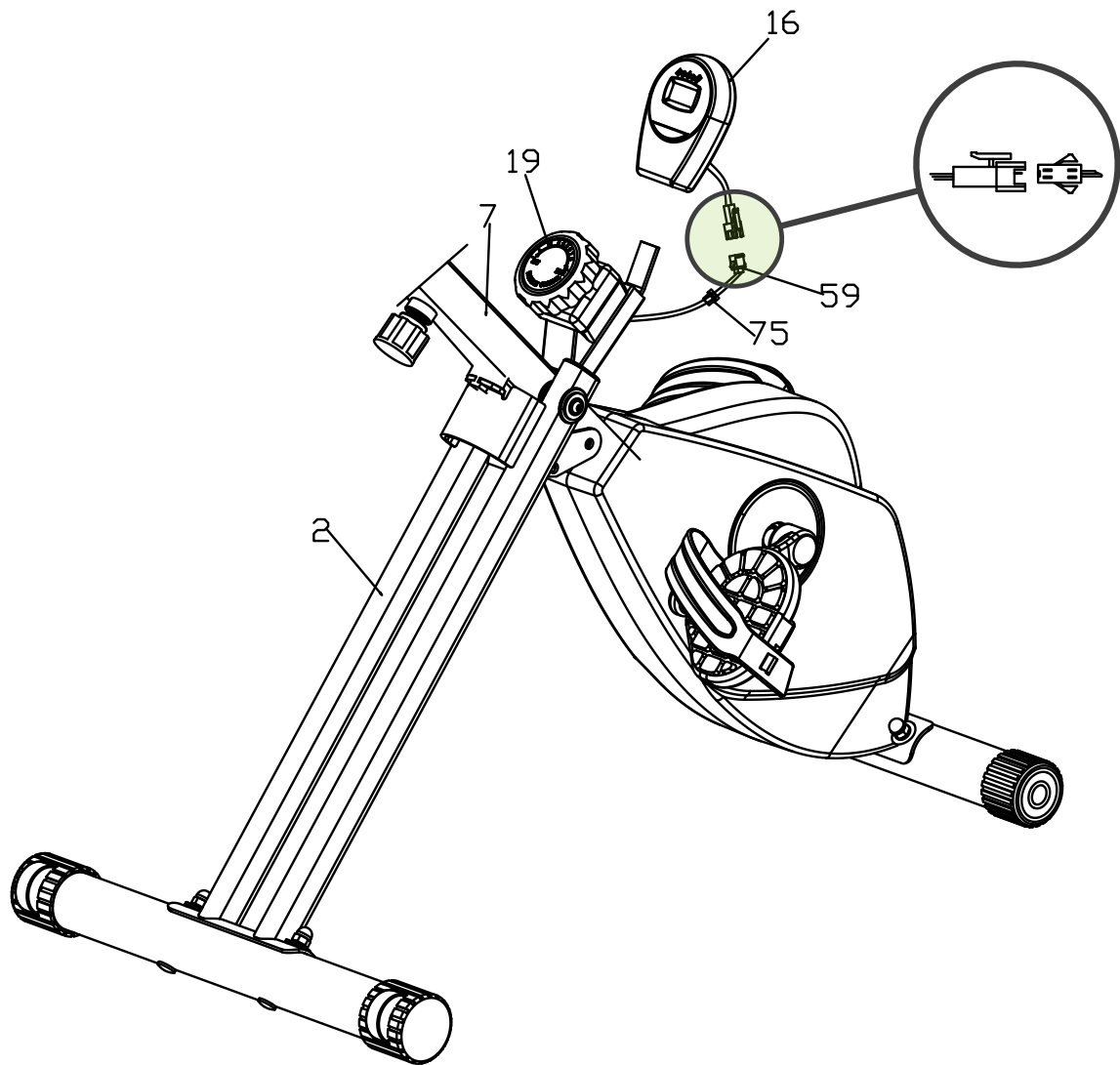
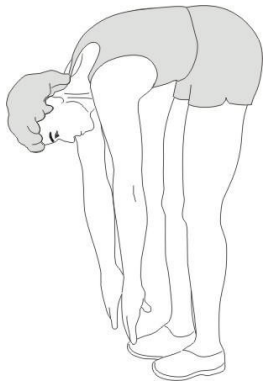


FIG. A



FIG. B



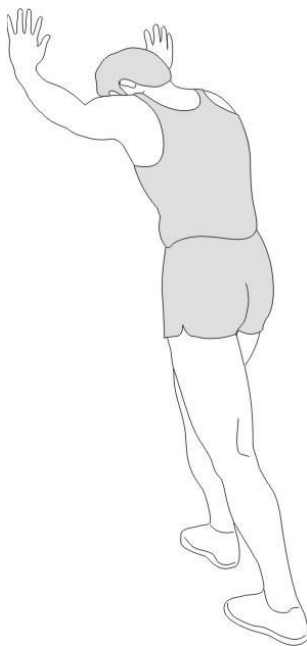
1



2



3



4



5

## INDEX

---

<b>Safety instructions</b>	<b>8</b>
<b>Guarantee</b>	<b>8</b>
<b>Assembly instructions</b>	<b>9</b>
<b>Adjusting</b>	<b>9</b>
<b>Folding instructions</b>	<b>9</b>
<b>Training with fitness applications</b>	<b>10</b>
<b>Maintenance</b>	<b>10</b>
<b>Troubleshooting</b>	<b>11</b>
<b>Error codes</b>	<b>11</b>
<b>Console</b>	<b>11</b>
<b>Training guidelines</b>	<b>12</b>

## SAFETY INSTRUCTIONS

---

### **WARNING!**

*Consult your doctor before you start exercising. This is particularly important for people with health problems. Please read all instructions before using the machine. VirtuFit assumes no responsibility for injury or property damage resulting from the use of this equipment. Please read this manual carefully before assembling and/or using the machine.*

- Make sure that the machine is properly assembled and that all nuts and bolts are tight before using it.
- Lubricate all moving parts annually with petroleum jelly (acid-free) or silicone spray.
- Do not wear loose clothing to avoid getting caught in moving parts.
- Install and use the unit on a solid, level surface.
- Always wear clean sports shoes when using the appliance.
- Keep children and pets away from the appliance when in use.
- Maintain your balance when using the device.
- Do not place your fingers or other objects in the moving parts.
- Before exercising, consult your physician to determine the appropriate frequency, duration and intensity of exercise for your age and physical condition. Stop exercising immediately if you experience nausea, shortness of breath, fainting, headache, chest pain, tightness or any other discomfort.

- Do not hold the machine by the seat when moving.
- This machine should only be used by one person at a time.
- This machine is designed for domestic use and the maximum user weight is 110 kg.
- Leave 1-2 metres of space behind the machine to avoid accidents.
- Place the machine on a clean, flat surface. Do not place it on a thick carpet, as this may hinder the ventilation of the machine. Do not place the machine outdoors or near water.
- Keep the storage area dry, clean and level to prevent damage. Do not use the device for any purpose other than training.
- Use the device only in an environment where the ambient temperature is between 10°C and 35°C. Store the device only in an environment where the temperature is between 5°C and 45°C.

## GUARANTEE

---

**Warranty claims are excluded if the cause of the defect is the result of:**

- Maintenance and repair work not carried out by an official dealer.
- Improper use, negligence and/or poor maintenance.
- Failure to maintain the appliance in accordance with the manufacturer's instructions.



## ASSEMBLY INSTRUCTIONS (STEP 01-06)

**Missing parts:** If any parts are missing from the packaging, carefully check the polystyrene foam and the appliance itself. Some parts (bolts, screws, etc.) are already attached to the unit.

**Error message:** Make sure that all cables are carefully attached. The aluminium feet of the console are very sensitive and must be kept straight. If the console gives an error message after the machine has been mounted, the aluminium feet of the console may be bent. Straightening the aluminium feet may make the error message disappear.

**Hex head bolts:** Make sure that the hex head spanner is pushed into the bolt before applying force. This will prevent the head of the socket bolt from turning.

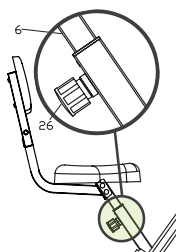
## ADJUSTING

### Saddle

In order to train effectively, it is advisable to adjust the saddle to the correct height. When pedalling, your knees should be slightly bent when the pedals are in the down position.

**To adjust the saddle to the vertical position, follow the steps below:**

- Loosen the knob on the seat post and pull the knob towards you.
- Move the seat post up or down until the saddle is in the desired position and release the knob.
- Move the seat post slightly up or down to ensure that the knob is in one of the adjustment holes.
- Tighten the knob on the seat post.



### Waterpass

- For stability and safety reasons, the folding exercise bike has a welded frame. If assembled correctly at one time, the exercise bike will not require any further adjustment.
- Always make sure the folding exercise bike is placed on a stable surface. If in doubt, a rubber mat can be placed underneath the exercise bike to improve the grip on the floor. If the folding

exercise bike requires adjustment, simply rotate the adjustable ends (27) on either side of the rear frame to compensate the exercise bike for an uneven surface.

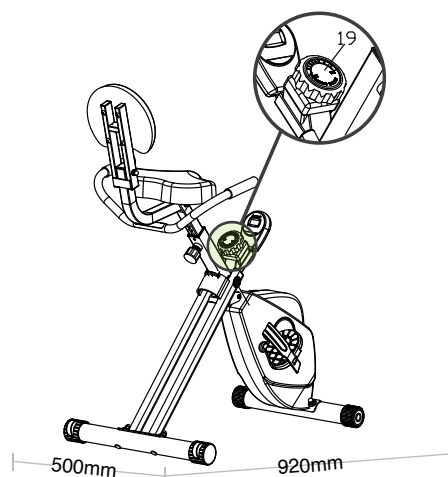
### Resistance knob

To ensure a smooth and efficient pedaling motion, the resistance is adjusted at the factory during production.

### Tension adjustment with the resistance knob

The tension can be adjusted to different resistance levels by turning the resistance knob (19).

**NOTE!** It is recommended to start training at a level that suits your own needs. Remember to start slow and gentle and work your way up to the level that suits you.



## FOLDING INSTRUCTIONS

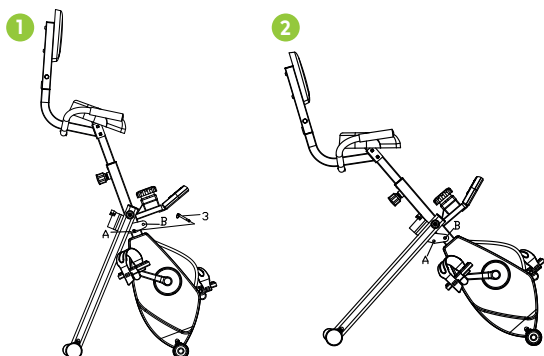
**NOTE!** Store the Folding Exercise Bike in a dry place, out of reach of children, as shown in the diagram. Make sure the folding exercise bike is stable and secure to prevent it from falling on pets or children.

### Folding (1)

The locking pin (3) can be used to fold the exercise bike. To fold the folding exercise bike, place the locking pin (3) in position A.

### Folding (2)

The locking pin (3) can be used to unfold the folding exercise bike. When the folding exercise bike is to be used, place the locking pin (3) in position B.



## TRAINING WITH FITNESS APPLICATIONS

*VirtuFit does not provide service for third party fitness applications such as Kinomap, iConsole, FitShow etc. If you encounter problems with a third party fitness application, please contact the developer of the application in question.*

### Instruction

- To scan the QR code with an Android or IOS phone or tablet, a QR code scanner is required. The app for scanning QR codes can be downloaded from the App Store or Google Play Store.
- Scan one of the QR codes below to go directly to the App Store or Google Play Store page where the fitness app can be downloaded.
- Scan the QR code on the right to access the fitness app manual. The manual describes step by step how to connect the fitness app to the device, how the fitness app works and what its capabilities are.

### iConsole



APP STORE



GOOGLE PLAY



MANUAL

## MAINTENANCE

*Safe and efficient use can only be achieved if the appliance is properly installed and maintained. It is your responsibility to ensure that the appliance is maintained regularly. Parts that have been used and/or damaged must be replaced before the appliance is used again. The appliance should only be used and stored indoors.*

*Long-term exposure to weather and temperature/humidity changes can have a serious impact on the electrical components and moving parts of the unit. Always unplug the power cord from the unit before cleaning or servicing it.*

### Daily maintenance

- Clean and remove sweat and moisture after each use.
- Check that the unit is free of dust and dirt.
- Do not use aggressive cleaning agents and keep the device away from moisture.

### Semi-annual maintenance

- Inspect all bolts and nuts connected to the moving parts of the unit. Tighten bolts and nuts as necessary and appropriate.
- Check the mobility of moving parts and components of the unit. Use silicone spray if necessary and appropriate.

### We recommend the following:

- Clean the unit after use.
- Use a dry cloth to clean the control panel and the areas around the on/off switch.
- Use a soft, clean cloth and detergent to remove stubborn marks and dirt from the unit.
- Store the unit in a safe, dry place away from heat and water.

### CAUTION!

- *Repairs must be carried out by a professional technician, unless otherwise specified by the supplier or manufacturer.*

### Cleaning

General cleaning of the unit will extend its life. Keep the appliance clean by dusting it regularly. Regular maintenance will prolong the life of your appliance and prevent injuries! For more information, please visit <https://www.virtufit.nl/service/faq/>

**CAUTION!** *Wear clean shoes to reduce the risk of soiling the machine. At least once a year, remove the cover to remove dust.*

### Battery

#### AA BATTERIES

The display uses AA batteries, which are replaceable on the back of the display. The batteries must be inserted correctly.

If the screen is unreadable or only parts of the image work, proceed as follows:

- Remove the batteries and wait 15 seconds.
- Replace the batteries correctly.

#### Tips on using the battery

- Remove the batteries from the screen when they are empty or when the camera will not be used for a long period of time.
- Do not recharge, disassemble or dispose of batteries in fire.
- Pay close attention to the + and - when inserting the batteries. When replacing batteries, it is recommended to replace all batteries, do not mix old and new batteries.
- It is recommended to use alkaline batteries, they have a longer life than normal batteries.
- Batteries should be replaced when the display loses brightness or stops showing.

#### Battery replacement

- If the display is not accurate, it is recommended to replace the batteries.
- Use 4 x 1.5 AA batteries for power.

## TROUBLESHOOTING

**The display does not show any values:** Check that the sensor and console cables are properly attached and undamaged. If this does not solve the problem, contact the supplier.

**Exercise bike squeaks:** Check that all bolts and nuts are tight. If necessary.

**Ticking noise when pedalling:** This may be caused by one of the pedals. Remove the pedal(s) and mount it (them) correctly on the unit. Tighten the pedal(s) firmly. If this does not solve the problem, contact the supplier.

**NOTE!** The "R" (right) pedal must be mounted clockwise and the "L" (left) pedal must be mounted counter-clockwise.

**The hand sensors are not working properly:** Wash your hands, dry them well and test the hand sensors again. If this does not solve the problem, check the handlebar cables for damage and ensure that they are properly connected to the connector. If this still does not correct the problem, replace the handlebar.

**Console does not work:** If there is no signal when pedalling, check that the cable is correctly connected.

## ERROR CODES

### E1:

- **Motor does not work (motor problems)**

**Solution:** This problem may be caused by the motor having difficulty adjusting its resistance, resulting in a loud motor noise. When this happens, the motor may be possibly damaged by a malfunction. If this does not solve the problem, contact the supplier.

- **There is a problem with the cables**

**Solution:** Check that the cables are not damaged or that they cannot cause a short circuit.

- **The console has a problem.**

**Solution:** Replace the console

### E2:

- **A problem with the cables**

**Solution:** Make sure the cables are not damaged or have the potential to short.

- **There is a problem with the console:**

**Solution:** Replace the console.

- **There is a problem with the motor:**

**Solution:** Replace the motor.

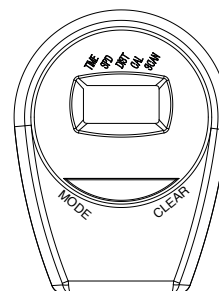
### E3: There is a problem with the cables.

- **Solution:** Make sure the cables are not damaged or short-circuited.

### E4: During the body fat analysis, the first 8 seconds do not detect the heart.

- **Solution:** Wash your hands, dry them well and retest the hand sensors. Hold the handles firmly with both hands.

## CONSOLE (FIG. A)



- **TIME** Press the MODE button until the TIME function is selected. The total cycle time from start to finish is displayed.
- **SPEED** Press the MODE button until SPEED is selected. The

speed is displayed when you start the exercise.

- **CALORIES** Press the MODE button until CALORIES is selected. The total number of calories from the beginning to the end of the exercise is displayed.
- **DISTANCE** Press the MODE button until DISTANCE is selected. The distance of each exercise is displayed when you start exercising.
- **ODO** The distance is automatically added when you start the exercise.
- **PULSE** Press the MODE button until PULSE is selected. Keep your hands on the sensor for 3 seconds to display your heart rate.

## Monitor

---

### How does the monitor work?

- When the monitor is turned on (press and hold the MODE, RESET button for 3 seconds), the LCD screen will display each segment and beep for one second. Then go to SCAN.
- If a signal is sent to the monitor, the TMR, DST and CAL values will be added together.
- If no signal is sent to the monitor for 4 minutes, the monitor will automatically turn off.

## TRAINING GUIDELINES (FIG. B, 1-5)

---

A successful training program includes a warm-up, the actual training and a cool-down. Perform the complete training program at least twice, but preferably three times a week and keep a rest day between training sessions. After a few months, the intensity of the training can be increased, for example to four or five times a week.

### The warm-up

---

The purpose of a warm-up is to prepare the body for training and to reduce the risk of injury. Warm up your body for two to five minutes before starting a cardio or strength training session. Do exercises that increase the heart rate and warm up the working muscles. Examples of this type of activity are running, jogging, jumping jacks, skipping and running in place.

### Stretching

---

Stretching while the muscles are warm is very important after a good warm-up and cool-down. It reduces the risk of injury. Stretching exercises should be held for 15-30 seconds. Here are some examples of

stretching exercises:

- Toe touch (Fig. B-1)
- Inner thigh stretch (Fig. B-2)
- Hamstring stretch (Fig. B-3)
- Achilles stretch (Fig. B-4)
- Side stretch (Fig. B-5)

### Cooling down

---

The purpose of the cool-down is to return the body to its (near) normal resting position at the end of the workout. A good cool-down slowly reduces your heart rate and promotes recovery.

## INHOUD

<b>Veiligheidsinstructies</b>	<b>13</b>
<b>Garantie</b>	<b>13</b>
<b>Montage Instructies</b>	<b>14</b>
<b>Afstellen</b>	<b>14</b>
<b>In- en uitklapinstructies</b>	<b>14</b>
<b>Trainen met fitness apps</b>	<b>15</b>
<b>Onderhoud</b>	<b>15</b>
<b>Probleemoplossingen</b>	<b>16</b>
<b>Foutcodes</b>	<b>16</b>
<b>Console</b>	<b>17</b>
<b>Trainingsrichtlijnen</b>	<b>17</b>

## VEILIGHEIDSINSTRUCTIES

### ! WAARSCHUWING!

**Raadpleeg uw arts voordat u begint met trainen. Dit is in het bijzonder belangrijk voor personen met gezondheidsproblemen. Lees alle instructies alvorens het toestel gebruikt wordt. VirtuFit neemt geen verantwoordelijkheid voor geleden letsel of materiële schade door het gebruik van dit toestel. Lees deze handleiding zorgvuldig door, voordat u begint met monteren van het toestel en/of er gebruik van gaat maken.**

- Zorg ervoor dat het toestel voor gebruik correct is gemonteerd en alle bouten en moeren zorgvuldig zijn vastgedraaid.
- Smeer alle bewegende delen jaarlijks in met vaseline (zonder zuren) of siliconenspray.
- Draag geen loszittende kleding om te voorkomen dat deze in bewegende delen verstrikt raakt.
- Stel het toestel op en gebruik deze op een stevige, effen ondergrond.
- Draag altijd schone sportschoenen bij gebruik van het toestel.
- Houd kinderen en huisdieren uit de buurt van het toestel, terwijl deze in gebruik is.
- Zorg dat u evenwicht behoudt tijdens gebruik van het toestel.

- Plaats geen vingers of andere voorwerpen in de bewegende delen.
- Raadpleeg voorafgaand aan een training uw arts om de trainingsfrequentie, tijd en intensiteit vast te stellen die geschikt is voor uw leeftijd en conditie. Stop onmiddellijk met trainen in geval van misselijkheid, kortademigheid, flauwvallen, hoofdpijn, pijn, benauwdheid in de borst of enig ander ongemak.
- Houd het toestel niet vast aan de zitting bij het verplaatsen.
- Dit toestel dient door slechts één persoon tegelijk te worden gebruikt.
- Dit toestel is gemaakt voor thuisgebruik en het maximaal gebruikersgewicht bedraagt 110 kg.
- Houd 1 á 2 meter ruimte vrij achter het toestel om eventuele ongelukken te voorkomen.
- Plaats het toestel op een schone en vlakke ondergrond. Plaats het toestel niet op dik tapijt waardoor het ventilatie kan belemmeren. Plaats het toestel niet buiten of in de buurt van water.
- Het toestel is voor binnengebruik en niet voor buitengebruik. Houd de opslagplek droog, schoon en vlak om schade te voorkomen. Het is verboden om het toestel voor andere doeleinden te gebruiken dan voor de trainingen.
- Gebruik het toestel alleen in een omgeving met een omgevingstemperatuur tussen 10 °C en 35 °C. Berg het toestel alleen op bij een omgevingstemperatuur tussen 5 °C en 45 °C.

## GARANTIE

**Aanspraak op garantie is uitgesloten indien de oorzaak van het defect het gevolg is van:**

- Onderhoudsmontage en reparatiewerkzaamheden die niet door een officiële dealer zijn uitgevoerd.
- Bij ondeugdelijk gebruik, verwaarlozing en/of gebrek aan onderhoud.
- Het niet volgens de fabrieksvorschriften onderhouden van het toestel.

## MONTAGE INSTRUCTIES (STEP 01-03)

**Missende onderdelen:** Indien bepaalde onderdelen missen in de verpakking, controleer dan zorgvuldig het piepschuim en het toestel zelf. Sommige onderdelen (bouten, schroeven, etc.) zitten al bevestigd aan/in het toestel.

**Foutmelding:** Let er op dat alle kabels voorzichtig worden bevestigd. De aluminium pootjes van het console zijn zeer gevoelig en deze dienen recht te blijven. Mocht het console een foutmelding geven na de montage van het toestel dan kan het zijn dat de aluminium pootjes van het console schuin staan. Buig de aluminium pootjes weer recht, dit laat de foutmelding mogelijk verdwijnen.

**Inbusbouten:** Zorg ervoor dat de inbusleutel goed in de bout zit voordat er kracht op de sleutel wordt gezet. Op deze manier wordt voorkomen dat de kop van de inbusbout wordt dolgedraaid.

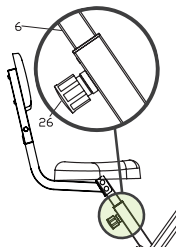
## AFSTELLEN

### Zadel

Om effectief te kunnen trainen is het aan te raden om het zadel op juiste hoogte af te stellen. Tijdens het trappen dienen uw knieën licht gebogen te zijn wanneer de pedalen in de laagste stand staan.

**Volg onderstaande stappen om het zadel in verticale positie te verstellen:**

- Draai de knop van de zadelpen los en trek de knop naar u toe.
- Verschuif de zadelpen omhoog of omlaag totdat het zadel in de gewenste positie staat en laat de knop los.
- Beweeg de zadelpen licht naar boven of naar beneden om er zeker van te zijn dat de knop in één van de stelgaten zit.
- Draai de knop van de zadelpen vast.



### Waterpas

- Vanwege stabiliteits- en veiligheidsredenen heeft de opvouwbare hometrainer een gelast frame. Als deze in één keer correct gemonteerd is, heeft de hometrainer geen verdere

aanpassing nodig.

- Zorg er te allen tijde voor dat de opvouwbare hometrainer op een stabiele ondergrond staat. Bij twijfel kan er een rubberen mat onder de hometrainer geplaatst worden, om zo meer grip te krijgen op de vloer. Als de opvouwbare hometrainer toch iets versteld moet worden, kan er met een simpele draai aan de verstelbare uiteinden (27) van beide kanten van het achterframe, de hometrainer gecompenseerd worden met de ongelijke ondergrond.

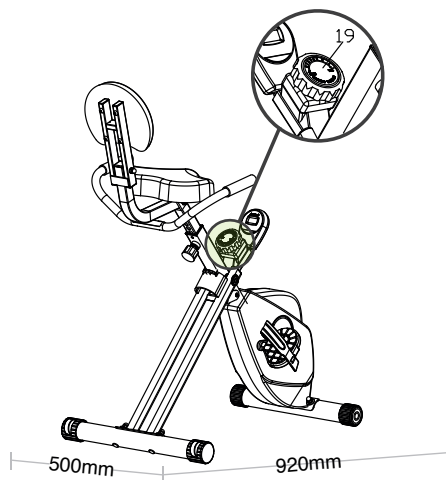
### Weerstandsknop

Om een soepele en efficiënte fietsbeweging te garanderen is de weerstand afgesteld in de fabriek tijdens de productie.

### Spanning met de draaiknop aanpassen

De spanning kan in verschillende weerstandsniveaus aangepast worden door aan de weerstandsknop (19) te draaien.

**LET OP!** Het wordt aangeraden om de training te beginnen op een niveau dat bij de eigen behoeftes past. Denk er aan om langzaam en makkelijk te beginnen, vervolgens is dit op te bouwen naar niveau van wens.



## IN- EN UITKLAPINSTRUCTIES

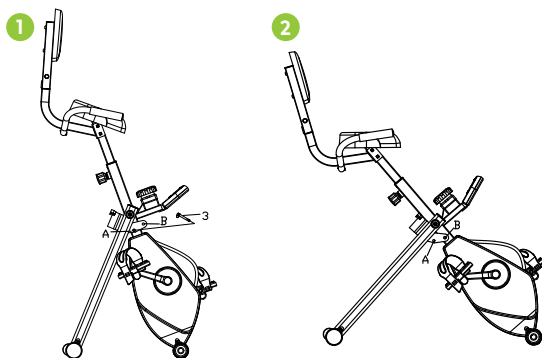
**LET OP!** Berg de opvouwbare hometrainer op in een droge ruimte uit de buurt van kinderen zoals aangegeven in de afbeelding. Zorg ervoor dat de opvouwbare hometrainer stabiel en veilig staat waardoor de hometrainer niet om kan vallen op dieren of kinderen.

## Inklappen (1)

De borgpin (3) kan gebruikt worden om de hometrainer in te klappen. Als de opvouwbare hometrainer ingeklapt moet worden, kan de de borgpin (3) in positie A geplaatst worden.

## Uitklappen (2)

De borgpin (3) kan gebruikt worden om de hometrainer uit te klappen. Als de opvouwbare hometrainer gebruikt moet worden, kan de de borgpin (3) in positie B geplaatst worden.



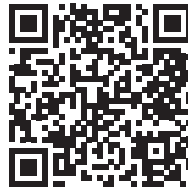
## TRAINEN MET FITNESS APPS

VirtuFit verleent geen service voor fitness-apps van derde partijen zoals Kinomap, iConsole, FitShow etc.. Mocht u problemen ondervinden met een fitness-app van een derde partij, neem dan contact met de desbetreffende app-ontwikkelaar.

## Instructie

- Om de QR-code te scannen met een Android of IOS telefoon of tablet is een QR-code scanner nodig. De app om QR-codes te scannen kan in de App Store of Google Play Store worden gedownload.
- Scan één van de QR-codes hieronder om direct naar de pagina in de App Store of Google Play Store te gaan waar de fitnessapp gedownload kan worden.
- Scan de QR-code aan de rechterkant om naar de handleiding van de fitnessapp te gaan. In de handleiding staat stap voor stap beschreven hoe de fitnessapp verbonden dient te worden met het toestel, hoe de fitnessapp werkt en welke mogelijkheden er zijn.

## iConsole



APP STORE



GOOGLE PLAY



HANDLEIDING

## ONDERHOUD

*Veilig en effectief gebruik kan alleen worden bereikt als het toestel goed wordt gemonteerd en onderhouden. Het is uw verantwoordelijkheid om ervoor te zorgen dat het toestel regelmatig wordt onderhouden. Onderdelen die al zijn gebruikt en/of beschadigd, moeten worden vervangen voordat het toestel verder gebruikt wordt. Het toestel mag alleen binnen worden gebruikt en opgeborgen. Langdurige blootstelling aan verering en veranderingen in temperatuur/vochtigheid kunnen een ernstige impact hebben op de elektrische componenten en bewegende delen van het toestel. Haal altijd de stroomkabel van het toestel uit het stopcontact voordat het apparaat wordt schoongemaakt of onderhouden.*

## Dagelijks onderhoud

- Reinig en verwijder zweet en vocht na elk gebruik.
- Controleer of het toestel vrij is van stof en vuil.
- Gebruik geen agressieve schoonmaakmiddelen en zorg dat het toestel vochtvrij blijft.

## Halfjaarlijks onderhoud

- Inspecteer alle bouten en moeren in verband met bewegende delen van het toestel. Draai bouten en moeren vast indien nodig en zoals vereist.
- Controleer de mobiliteit van bewegende onderdelen en componenten van het toestel. Gebruik siliconenspray indien nodig en zoals vereist.

## We raden aan het volgende te doen:

- Maak het toestel na gebruik schoon.
- Gebruik een droge doek om het bedieningspaneel en gebieden rond de aan- en uitschakelaar te reinigen.
- Gebruik een zachte schone doek en reinigingsmiddel om hardnekkige vlekken en vuil op het toestel te verwijderen.

- Houd het toestel op een veilige en droge plaats en uit de buurt van warmte en water.

## LET OP!

- *Elke reparatie moet door een professionele technicus worden uitgevoerd, tenzij anders aangegeven door de leverancier of fabrikant.*

## Schoonmaak

Algemene reiniging van het apparaat zal de levensduur van het toestel verlengen. Houd het toestel schoon door regelmatig af te stoffen. Regelmatig onderhoud verlengt de levensduur van uw toestel en voorkomt letsel! Kijk voor meer informatie op <https://www.virtufit.nl/service/faq/>

**LET OP! Draag schone schoenen zodat de kans op vervuiling van het toestel vermindert.**

## Batterij

### AA BATTERIJEN

Het scherm maakt gebruik van AA batterijen, deze zijn te vervangen aan de achterkant van het scherm. De batterijen moeten juist geplaatst zijn.

**Als het scherm onleesbaar is of alleen delen van het beeld werken moeten de volgende stappen worden gevolgd:**

- Haal de batterijen eruit en wacht 15 seconden.
- Plaats de batterijen weer op correcte wijze terug.

### Advies batterijgebruik

- Haal de batterijen uit het scherm als ze leeg zijn of wanneer het apparaat voor langere tijd niet gebruikt wordt.
- Laad de batterijen niet op, haal ze niet uit elkaar en gooi ze niet in het vuur.
- Let bij het plaatsen van de batterijen goed op de + en -. Wanneer de batterijen worden vervangen wordt het aangeraden om alle batterijen te vervangen, mix geen oude en nieuw batterijen.
- Het wordt aangeraden om alkaline batterijen te gebruiken, deze hebben een langere levensduur dan normale batterijen.
- Het vervangen van de batterijen is nodig wanneer het scherm minder helderheid verliest of wanneer het helemaal niks meer weergeeft.

### Vervangen van batterijen

- Bij een onjuiste weergave op het scherm wordt het aangeraden

om de batterijen te vervangen.

- Gebruik 4 stuks 1.5 AA batterijen als stroomvoorziening.

## PROBLEEMOPLOSSINGEN

**Display geeft geen waardes weer:** Controleer of de sensorkabels en de kabels van het console goed zijn bevestigd en onbeschadigd zijn. Mocht het probleem hierdoor niet zijn verholpen, neem contact op met de leverancier.

**Hometrainer piept:** Controleer of alle bouten en moeren stevig zijn vastgedraaid.

**Tikkend geluid bij het trappen:** Dit kan worden veroorzaakt door één van de trappers. Demonteer de trapper(s) en monteer de trapper(s) op de juiste manier aan het toestel. Draai de trapper(s) stevig aan. Mocht het probleem hierdoor niet zijn verholpen, neem contact op met de leverancier.

**LET OP! Pedaal "R" (rechts) dient te worden gemonteerd met de klok mee en pedaal "L" (links) dient te worden gemonteerd tegen de klok in.**

**Handsensoren werken niet naar behoren:** Was je handen, droog goed af en test de handsensoren opnieuw. Mocht het probleem hierdoor niet zijn verholpen, controleer of de kabels van het handvat onbeschadigd zijn en goed zijn verbonden met de aansluiting. Mocht het probleem hierdoor nog steeds niet zijn verholpen, vervang het handvat.

**Het console werkt niet:** Wanneer er geen signaal is wanneer u trapt, controleer of de kabel goed is aangesloten.

## FOUTCODES

### EI:

- **De motor werkt niet (motorische problemen)**  
**Oplossing:** Dit probleem kan komen doordat de motor moeite heeft om de weerstand aan te passen, waardoor er een tikkend geluid uit de motor komt. Wanneer dit gebeurt, is de motor mogelijk beschadigd door een storing. Mocht het probleem hierdoor niet zijn verholpen, neem contact op met de leverancier
- **Er is iets mis met de kabels**  
**Oplossing:** Controleer of de kabels onbeschadigd zijn of kortsluiting kunnen veroorzaken.
- **Er is iets mis met het console**  
**Oplossing:** Vervang het console.



## E2:

- **Er is iets mis met de kabels**  
**Oplossing:** Controleer of de kabels onbeschadigd zijn of kortsluiting kunnen veroorzaken.
- **Er is iets mis met het console:**  
**Oplossing:** Vervang het console.
- **Er is iets mis met de motor:**  
**Oplossing:** Vervang de motor.

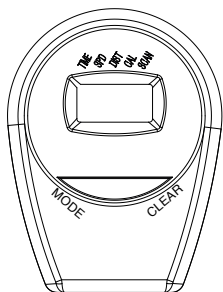
## E3: Er is iets mis met de kabels.

- **Oplossing:** Controleer of de kabels onbeschadigd zijn of kortsluiting kunnen veroorzaken.

## E4: Bij het analyseren van het lichaamsvet hebben de eerste 8 seconden geen hartdetectie.

- **Oplossing:** Was je handen, droog goed af en test de handsensoren opnieuw. Houd met beide handen de handgrepen goed en stevig vast.

## CONSOLE (FIG. A)



- **TIME:** Druk op de MODE toets totdat de functie TIME is geselecteerd. De totale fietstijd van het begin tot het einde van de oefening wordt weergegeven.
- **SPEED:** Druk op de MODE toets totdat de functie SPEED is geselecteerd. De snelheid wordt tijdens de training weergegeven wanneer u start met trainen.
- **CALORIES:** Druk op de de MODE toets totdat de functie CALORIES is geselecteerd. De totale calorieën van het begin tot het einde van de oefening wordt weergegeven.
- **DISTANCE:** Druk op de MODE toets totdat de functie DISTANCE is geselecteerd. De afstand van elke training wordt weergegeven wanneer u start met trainen.
- **ODO:** De afstand wordt automatisch opgeteld wanneer u start met trainen.
- **PULSE:** Druk op de MODE toets totdat de functie PULSE is geselecteerd. Houd uw handen op de sensor gedurende 3 seconden om uw hartslag weer te geven.

## Monitor

### Hoe werkt de monitor?

- Als de monitor wordt aangezet (druk op de MODE, RESET knop en houdt deze ingedrukt voor 3 seconden), zal het LCD scherm elk segment laten zien met een geluidssignaal voor een seconde. Ga dan naar SCAN.
- Als er een signaal is verzonden naar de monitor zullen de waarden van TMR, DST en CAL worden opgeteld.
- Als er 4 minuten lang geen signaal is verzonden naar de monitor gaat deze automatisch uit.

## TRAININGSRICHTLIJNEN (FIG. B, 1-5)

Een succesvol trainingsprogramma bestaat uit een warming-up, de training zelf en een cooling down. Voer de hele training minstens twee, maar bij voorkeur drie keer per week uit en houdt één dag rust tussen de trainingen. Na enkele maanden kan de trainingsintensiteit worden verhoogd tot bijvoorbeeld vier of vijf keer per week.

### Warming-up

Het doel van een warming-up is dat het lichaam voorbereid wordt op een training en het vermindert de kans op blessures. Warm het lichaam op in twee tot vijf minuten voordat er met een cardio- of krachttraining begonnen wordt. Doe oefeningen die de hartslag verhogen en de werkende spieren opwarmen. Voorbeelden van dit soort activiteiten zijn: vlot lopen, joggen, jumping jacks, touwtje springen en rennen op de plaats.

### Stretchen

Stretchen terwijl spieren warm zijn, is zeer belangrijk na een goede warming-up en cooling-down. Het vermindert de kans op blessures. Stretchoefeningen dienen gedurende 15 tot 30 seconden worden vastgehouden. Voorbeelden van stretchoefeningen zijn:

- Toe touch (Fig. B-1)
- Inner thigh stretch (Fig. B-2)
- Hamstring stretch (Fig. B-3)
- Achilles stretch (Fig. B-4)
- Side stretch (Fig. B-5)

### Cooling-down

Het doel van de cooling-down is het lichaam aan het einde van de

training terug te brengen naar de (bijna) normale ruststand. Een goede cooling-down vermindert langzaam uw hartslag en bevordert het herstel.

## INHALTE

Sicherheitshinweise	19
Bürgerschaft	19
Anweisungen zum Einbau	20
Einstellen	20
Anleitung zum zusammenklappen	20
Training mit Fitnessanwendunge	21
Wartung	21
Fehlersuche	22
Fehlercodes	22
Konsole	23
Trainingsrichtlinien	23

## SICHERHEITSHINWEISE

### ! WARNUNG!

**Konsultieren Sie Ihren Arzt, bevor Sie mit dem Training beginnen. Dies ist besonders wichtig für Menschen mit gesundheitlichen Problemen. Bitte lesen Sie alle Anweisungen, bevor Sie das Gerät benutzen. VirtuFit übernimmt keine Verantwortung für Verletzungen oder Sachschäden, die durch die Verwendung dieses Geräts entstehen. Bitte lesen Sie diese Anleitung sorgfältig durch, bevor Sie das Gerät zusammenbauen und/oder benutzen.**

- Vergewissern Sie sich, dass das Gerät richtig zusammengebaut ist und dass alle Schrauben und Muttern fest angezogen sind, bevor Sie es benutzen.
- Schmieren Sie alle beweglichen Teile jährlich mit Vaseline (säurefrei) oder Silikonspray.
- Tragen Sie keine weite Kleidung, um zu vermeiden, dass Sie sich in beweglichen Teilen verfangen.
- Stellen Sie das Gerät auf einer festen, ebenen Fläche auf und benutzen Sie es.
- Tragen Sie immer saubere Sportschuhe, wenn Sie das Gerät benutzen.
- Halten Sie Kinder und Haustiere von dem Gerät fern, wenn Sie es benutzen.
- Achten Sie bei der Benutzung des Geräts auf Ihr Gleichgewicht.
- Stecken Sie Ihre Finger oder andere Gegenstände nicht in die beweglichen Teile.

- Konsultieren Sie vor dem Training Ihren Arzt, um die für Ihr Alter und Ihre körperliche Verfassung angemessene Häufigkeit, Dauer und Intensität des Trainings zu bestimmen. Brechen Sie das Training sofort ab, wenn Sie Übelkeit, Kurzatmigkeit, Ohnmacht, Kopfschmerzen, Brustschmerzen, Engegefühl oder andere Beschwerden verspüren.
- Halten Sie das Gerät nicht am Sitz fest, wenn Sie sich bewegen.
- Dieses Gerät darf nur von einer Person gleichzeitig benutzt werden.
- Das Gerät ist für den Hausgebrauch konzipiert und das maximale Benutzergewicht beträgt 110 kg.
- Lassen Sie hinter der Maschine 1-2 Meter Platz, um Unfälle zu vermeiden.
- Stellen Sie das Gerät auf eine saubere, ebene Fläche. Stellen Sie das Gerät nicht auf einen dicken Teppich, da dies die Belüftung des Geräts behindern kann. Stellen Sie das Gerät nicht im Freien oder in der Nähe von Wasser auf.
- Halten Sie den Aufbewahrungsort trocken, sauber und eben, um Schäden zu vermeiden. Verwenden Sie das Gerät nicht für andere Zwecke als zum Training.
- Verwenden Sie das Gerät nur in einer Umgebung, in der die Umgebungstemperatur zwischen 10°C und 35°C liegt. Lagern Sie das Gerät nur in einer Umgebung, in der die Temperatur zwischen 5°C und 45°C liegt.

## BÜRGSCHAFT

**Gewährleistungsansprüche sind ausgeschlossen, wenn die Ursache des Mangels die Folge ist von:**

- Wartungs- und Reparaturarbeiten, die nicht von einem Vertragshändler durchgeführt wurden.
- Unsachgemäßer Gebrauch, Nachlässigkeit und/oder schlechte Wartung.
- Wenn das Gerät nicht gemäß den Anweisungen des Herstellers gewartet wurde.

## MONTAGEANLEITUNG (STEP 01-06)

**Fehlende Teile:** Sollten Teile in der Verpackung fehlen, überprüfen Sie bitte sorgfältig den Styroporschaum und das Gerät selbst. Einige Teile (Bolzen, Schrauben, usw.) sind bereits am Gerät angebracht.

**Fehlermeldung:** Vergewissern Sie sich, dass alle Kabel sorgfältig angebracht sind. Die Aluminiumfüße der Konsole sind sehr empfindlich und müssen gerade gehalten werden. Wenn die Konsole eine Fehlermeldung ausgibt, nachdem das Gerät montiert wurde, sind die Aluminiumfüße der Konsole möglicherweise verbogen. Das Richten der Aluminiumfüße kann dazu führen, dass die Fehlermeldung verschwindet.

**Sechskant-Schrauben:** Achten Sie darauf, dass der Sechskantschlüssel in die Schraube gedrückt wird, bevor Sie Kraft anwenden. Dadurch wird verhindert, dass sich der Kopf der Innensechskantschraube dreht.

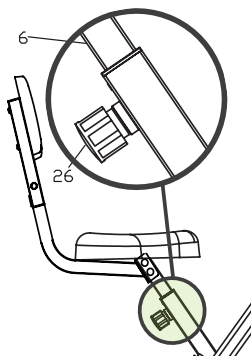
## EINSTELLUNG

### Sattels

Um effektiv trainieren zu können, ist es ratsam, den Sattel auf die richtige Höhe einzustellen. Wenn Sie in die Pedale treten, sollten Ihre Knie leicht gebeugt sein, wenn sich die Pedale in der unteren Position befinden.

**Um den Sattel in die vertikale Position zu bringen, gehen Sie wie folgt vor:**

- Lösen Sie den Knopf an der Sattelstütze und ziehen Sie den Knopf zu sich hin.
- Bewegen Sie die Sattelstütze nach oben oder unten, bis sich der Sattel in der gewünschten Position befindet, und lassen Sie den Knopf los.
- Bewegen Sie die Sattelstütze leicht nach oben oder unten, um sicherzustellen, dass sich der Knopf in einem der Einstelllöcher befindet.
- Ziehen Sie den Drehknopf an der Sattelstütze fest.



### Wasserpass

- Vanwege stabiliteits- en veiligheidsredenen heeft de Aus Stabilitäts- und Sicherheitsgründen hat der zusammenklappbare Heimtrainer einen geschweißten Rahmen. Wenn der Heimtrainer einmal richtig zusammengebaut wurde, muss er nicht weiter eingestellt werden.
- Achten Sie immer darauf, dass der Heimtrainer auf einer stabilen Unterlage steht. Im Zweifelsfall kann eine Gummimatte unter den Heimtrainer gelegt werden, um den Halt auf dem Boden zu verbessern. Wenn der zusammenklappbare Heimtrainer eingestellt werden muss, drehen Sie einfach die verstellbaren Enden (27) auf beiden Seiten des hinteren Rahmens, um den Heimtrainer an einen unebenen Untergrund anzupassen.

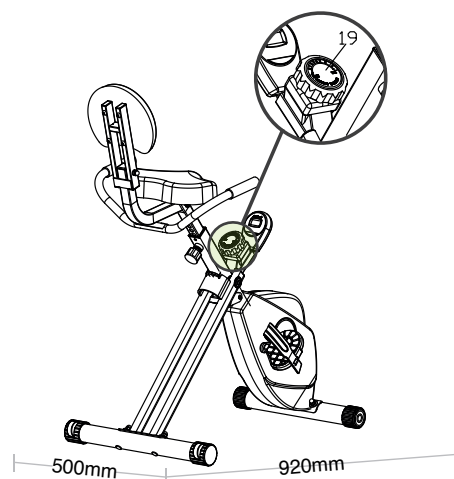
### Widerstandsknopf

Um eine gleichmäßige und effiziente Tretbewegung zu gewährleisten, wird der Widerstand werkseitig während der Produktion eingestellt.

#### Einstellung der spannung mit dem widerstandsknopf

Die Spannung kann durch Drehen des Widerstandsknopfes (19) auf verschiedene Widerstandsstufen eingestellt werden.

**HINWEIS!** Es wird empfohlen, das Training auf einer Stufe zu beginnen, die Ihren eigenen Bedürfnissen entspricht. Denken Sie daran, langsam und behutsam anzufangen und sich bis zu der Stufe hochzuarbeiten, die Ihnen zusagt.



## ANLEITUNG ZUM ZUSAMMENKLAPPEN

**HINWEIS!** Bewahren Sie den zusammenklappbaren Heimtrainer an einem trockenen, für Kinder unzugänglichen Ort auf, wie

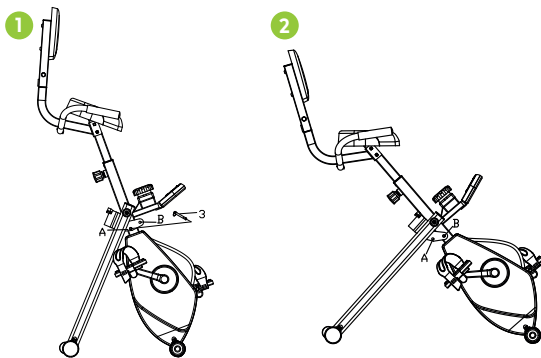
in der Abbildung gezeigt. Vergewissern Sie sich, dass der zusammenklappbare Heimtrainer stabil und sicher steht, damit er nicht auf Haustiere oder Kinder fallen kann.

## FALTEN (1)

Zum Zusammenklappen des Heimtrainers kann der Sicherungsstift (3) verwendet werden. Um den zusammenklappbaren Heimtrainer zusammenzuklappen, bringen Sie den Sicherungsstift (3) in Position A.

## FALTEN (2)

Der Verriegelungsstift (3) kann zum Aufklappen des zusammenklappbaren Heimtrainers verwendet werden. Wenn der zusammenklappbare Heimtrainer benutzt werden soll, bringen Sie den Verriegelungsstift (3) in Position B.



## TRAINING MIT FITNESSANWENDUNG

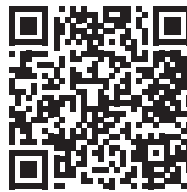
VirtuFit bietet keinen Service für Fitnessanwendungen von Drittanbietern wie Kinomap, iConsole, FitShow usw. Wenn Sie Probleme mit einer Fitness-Anwendung eines Drittanbieters haben, wenden Sie sich bitte an den Entwickler der betreffenden Anwendung.

## Anleitung

- Um den QR-Code mit einem Android- oder IOS-Telefon oder -Tablet zu scannen, ist ein QR-Code-Scanner erforderlich. Die App zum Scannen von QR-Codes kann im App Store oder im Google Play Store heruntergeladen werden.
- Scannen Sie einen der unten stehenden QR-Codes, um direkt zur Seite des App Store oder Google Play Store zu gelangen, wo die Fitness-App heruntergeladen werden kann.
- Scannen Sie den QR-Code auf der rechten Seite, um das

Handbuch für die Fitness-App aufzurufen. Das Handbuch beschreibt Schritt für Schritt, wie Sie die Fitness-App mit dem Gerät verbinden, wie die Fitness-App funktioniert und welche Möglichkeiten sie bietet.

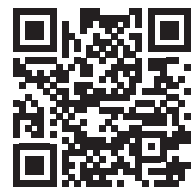
## iConsole



APP STORE



GOOGLE PLAY



ANLEITUNG

## WARTUNG

Eine sichere und effiziente Nutzung kann nur erreicht werden, wenn das Gerät ordnungsgemäß installiert und gewartet wird. Es liegt in Ihrer Verantwortung, dafür zu sorgen, dass das Gerät regelmäßig gewartet wird. Benutzte und/oder beschädigte Teile müssen ersetzt werden, bevor das Gerät wieder benutzt wird. Das Gerät sollte nur in Innenräumen verwendet und gelagert werden. Wenn das Gerät über einen längeren Zeitraum hinweg Witterungseinflüssen sowie Temperatur- und Feuchtigkeitsschwankungen ausgesetzt ist, kann dies schwerwiegende Auswirkungen auf die elektrischen Komponenten und beweglichen Teile des Geräts haben. Ziehen Sie immer den Netzstecker aus dem Gerät, bevor Sie es reinigen oder warten.

## Tägliche Wartung

- Reinigen Sie das Gerät nach jedem Gebrauch und entfernen Sie Schweiß und Feuchtigkeit.
- Prüfen Sie, ob das Gerät frei von Staub und Schmutz ist.
- Verwenden Sie keine aggressiven Reinigungsmittel und halten Sie das Gerät von Feuchtigkeit fern.

## Halbjährliche Wartung

- Überprüfen Sie alle Schrauben und Muttern, die mit den beweglichen Teilen des Geräts verbunden sind. Ziehen Sie die Schrauben und Muttern nach Bedarf und Bedarf an.
- Überprüfen Sie die Beweglichkeit der beweglichen Teile und Komponenten des Geräts. Bei Bedarf und Eignung Silikonspray verwenden.

**ACHTUNG!** Alle Reparaturen müssen von einem professionellen Techniker durchgeführt werden, es sei denn, der Lieferant oder Hersteller schreibt etwas anderes vor.

## Reinigung

Die allgemeine Reinigung des Geräts verlängert seine Lebensdauer. Halten Sie das Gerät sauber, indem Sie es regelmäßig abstauben.

Regelmäßige Wartung verlängert die Lebensdauer Ihrer Maschine und verhindert Unfälle! Für weitere Informationen besuchen Sie bitte <https://www.virtufit.nl/service/faq/>

**ACHTUNG!** Tragen Sie saubere Schuhe, um das Risiko einer Verschmutzung des Geräts zu verringern.

## Batterie

### AA-BATTERIEN

Das Display wird mit AA-Batterien betrieben, die auf der Rückseite des Displays austauschbar sind. Die Batterien müssen richtig eingelegt werden.

**Wenn der Bildschirm unlesbar ist oder nur Teile des Bildes funktionieren, gehen Sie wie folgt vor:**

- Nehmen Sie die Batterien heraus.
- Warten Sie 15 Sekunden und setzen Sie die Batterien dann wieder richtig ein.

### Tipps zur Verwendung der Batterie

- Nehmen Sie die Batterien aus dem Bildschirm, wenn sie leer sind oder wenn die Kamera für längere Zeit nicht benutzt werden soll.
- Laden Sie die Batterien nicht auf, zerlegen Sie sie nicht und entsorgen Sie sie nicht im Feuer.
- Achten Sie beim Einlegen der Batterien genau auf + und -. Wenn Sie die Batterien austauschen, sollten Sie alle Batterien austauschen und nicht alte und neue Batterien mischen.
- Es wird empfohlen, Alkalibatterien zu verwenden, da diese eine längere Lebensdauer als normale Batterien haben.
- Die Batterien sollten ersetzt werden, wenn das Display an Helligkeit verliert oder nicht mehr angezeigt wird.

### Batteriewechsel

- Wenn die Anzeige ungenau ist, wird empfohlen, die Batterien zu ersetzen.

- Verwenden Sie 4 x 1,5 AA-Batterien für die Stromversorgung.

## FEHLERSUCHE

**Das Display zeigt keine Werte an:** Prüfen Sie, ob die Kabel des Sensors und der Konsole richtig angeschlossen und unbeschädigt sind. Wenn das Problem dadurch nicht behoben wird, wenden Sie sich an den Lieferanten.

**Der Heimtrainer quietscht:** Prüfen Sie, ob alle Schrauben und Muttern fest angezogen sind. Tragen Sie ggf. Silikonspray auf.

**Tickendes Geräusch beim Treten:** Dies kann von einem der Pedale verursacht werden. Entfernen Sie das/die Pedal(e) und montieren Sie es/sie korrekt auf dem Gerät. Ziehen Sie das/die Pedal(e) fest an. Wenn das Problem dadurch nicht behoben wird, wenden Sie sich an den Lieferanten.

**HINWEIS!** Das "R"-Pedal (rechts) muss im Uhrzeigersinn und das "L"-Pedal (links) muss gegen den Uhrzeigersinn montiert werden.

**Die Handsensoren funktionieren nicht richtig:** Waschen Sie Ihre Hände, trocknen Sie sie gut ab und testen Sie die Handsensoren erneut. Wenn dies das Problem nicht behebt, überprüfen Sie die Lenkerkabel auf Beschädigungen und stellen Sie sicher, dass sie richtig mit dem Stecker verbunden sind. Wenn das Problem dadurch immer noch nicht behoben ist, tauschen Sie den Lenker aus.

**Die Konsole funktioniert nicht:** Wenn beim Treten der Pedale kein Signal anliegt, prüfen Sie, ob das Kabel richtig angeschlossen ist.

## FEHLERCODES

### EI:

- **Der Motor funktioniert nicht (Motorprobleme)**  
**Lösung:** Dieses Problem kann dadurch verursacht werden, dass der Motor Schwierigkeiten hat, seinen Widerstand einzustellen, was zu einem lauten Motorgeräusch führt. Wenn dies der Fall ist, kann der Motor möglicherweise durch eine Fehlfunktion beschädigt. Wenn das Problem dadurch nicht behoben wird, wenden Sie sich an den Lieferanten.
- **Es gibt ein Problem mit den Kabeln**  
**Lösung:** Überprüfen Sie, dass die Kabel nicht beschädigt sind oder einen Kurzschluss verursachen können.
- **Die Konsole hat ein Problem.**  
**Lösung:** Tauschen Sie die Konsole aus.

## E2:

• **Ein Problem mit den Kabeln**

**Lösung:** Stellen Sie sicher, dass die Kabel nicht beschädigt sind oder einen Kurzschluss verursachen können.

• **Es liegt ein Problem mit der Konsole vor:**

**Lösung:** Tauschen Sie die Konsole aus.

• **Es liegt ein Problem mit dem Motor vor:**

**Lösung:** Tauschen Sie den Motor aus.

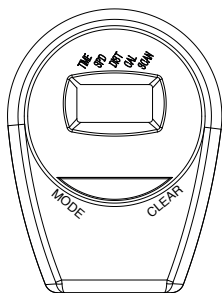
E3: **Es liegt ein Problem mit den Kabeln vor.**

- **Lösung:** Stellen Sie sicher, dass die Kabel nicht beschädigt sind oder einen Kurzschluss haben.

E4: **Während der Körperfettanalyse wird in den ersten 8 Sekunden das Herz nicht erkannt.**

- **Lösung:** Waschen Sie Ihre Hände, trocknen Sie sie gut ab und testen Sie die Handsensoren erneut. Halten Sie die Griffe mit beiden Händen fest.

## CONSOLE (FIG. A)



- **TIME:** Drücken Sie die MODE-Taste, bis die TIME-Funktion ausgewählt ist. Die Gesamtzeit des Zyklus von Anfang bis Ende wird angezeigt.
- **SPEED:** Drücken Sie die MODE-Taste, bis SPEED ausgewählt ist. Die Geschwindigkeit wird angezeigt, wenn Sie das Training beginnen.
- **CALORIES:** Drücken Sie auf die MODE-Taste, bis CALORIES ausgewählt ist. Die Gesamtzahl der Kalorien vom Beginn bis zum Ende der Übung wird angezeigt.
- **DISTANCE:** Drücken Sie die MODE-Taste, bis DISTANCE ausgewählt ist. Die Distanz jeder Übung wird angezeigt, wenn Sie mit dem Training beginnen.
- **ODO** Die Distanz wird automatisch hinzugefügt, wenn Sie die Übung beginnen.
- **PULSE:** Drücken Sie die MODE-Taste, bis PULS ausgewählt ist. Halten Sie Ihre Hände 3 Sekunden lang auf dem Sensor, um Ihre Herzfrequenz anzuzeigen.

## Monitor

### Wie funktioniert der Monitor?

- Wenn das Messgerät eingeschaltet wird (halten Sie die MODE- und RESET-Taste 3 Sekunden lang gedrückt), wird auf dem LCD-Bildschirm jedes Segment angezeigt und es ertönt ein Signalton für eine Sekunde. Dann wird auf SCAN umgeschaltet.
- Wenn ein Signal an den Monitor gesendet wird, werden die Werte von TMR, DST und CAL addiert.
- Wenn 4 Minuten lang kein Signal an den Monitor gesendet wird, schaltet sich der Monitor automatisch aus.

## TRAININGSRICHTLINIEN (FIG. B, 1-5)

Ein erfolgreiches Trainingsprogramm umfasst ein Aufwärmprogramm, das eigentliche Training und ein Abkühlprogramm. Führen Sie das komplette Trainingsprogramm mindestens zweimal, besser je doch dreimal pro Woche durch und halten Sie einen Ruhetag zwischen den Trainingseinheiten ein. Nach einigen Monaten kann die Intensität des Trainings erhöht werden, zum Beispiel auf vier- oder fünfmal pro Woche.

### Das Aufwärmen

Das Aufwärmen dient dazu, den Körper auf das Training vorzubereiten und das Verletzungsrisiko zu verringern. Wärmen Sie Ihren Körper zwei bis fünf Minuten lang auf, bevor Sie mit einem Ausdauer- oder Krafttraining beginnen. Machen Sie Übungen, die die Herzfrequenz erhöhen und die arbeitenden Muskeln aufwärmen. Beispiele für diese Art von Aktivität sind Laufen, Joggen, Hampelmänner, Hüpfen und Laufen auf der Stelle.

### Dehnen

Dehnen, während die Muskeln warm sind, ist nach einem guten Aufwärm- und Abkühltraining sehr wichtig. Dadurch wird das Verletzungsrisiko verringert. Dehnungsübungen sollten 15-30 Sekunden lang gehalten werden. Hier sind einige Beispiele für

Dehnungsübungen:

- Toe touch (Fig. B-1)
- Inner thigh stretch (Fig. B-2)
- Hamstring stretch (Fig. B-3)
- Achilles stretch (Fig. B-4)
- Side stretch (Fig. B-5)

## **Abkühlung**

---

Der Zweck des Cool-downs besteht darin, den Körper am Ende des Trainings in seine (fast) normale Ruheposition zu bringen. Ein gutes Cool-down senkt langsam die Herzfrequenz und fördert die Regeneration.



## SOMMAIRE

Consignes de sécurité	25
Garantie	25
Instructions de montage	26
Ajustement	26
Instructions de pliage	26
Entraînement avec des apps de fitness	27
Entretien	27
Dépannage	28
Codes d'erreur	28
Console	29
Directives de formation	29

## CONSIGNES DE SÉCURITÉ

### ! AVERTISSEMENT

**Consultez votre médecin avant de commencer à faire de l'exercice. Ceci est particulièrement important pour les personnes ayant des problèmes de santé. Veuillez lire toutes les instructions avant d'utiliser la machine. VirtuFit n'assume aucune responsabilité pour les blessures ou les dommages matériels résultant de l'utilisation de cet équipement. Veuillez lire attentivement ce manuel avant d'assembler et/ou d'utiliser la machine.**

- Assurez-vous que la machine est correctement assemblée et que tous les écrous et boulons sont bien serrés avant de l'utiliser.
- Lubrifiez chaque année toutes les pièces mobiles avec de la vaseline (non acide) ou un spray au silicone.
- Ne portez pas de vêtements amples pour éviter qu'ils ne se prennent dans les pièces mobiles.
- Installez et utilisez l'appareil sur une surface solide et plane.
- Portez toujours des chaussures de sport propres lorsque vous utilisez l'appareil.
- Tenez les enfants et les animaux domestiques à l'écart de l'appareil pendant son utilisation.
- Maintenez votre équilibre lorsque vous utilisez l'appareil.
- Ne placez pas vos doigts ou d'autres objets dans les parties mobiles.
- Avant de vous entraîner, consultez votre médecin afin de

déterminer la fréquence, la durée et l'intensité d'entraînement appropriées à votre âge et à votre condition physique. Arrêtez immédiatement l'entraînement si vous ressentez des nausées, un essoufflement, un évanouissement, des maux de tête, des douleurs thoraciques, une oppression ou tout autre malaise.

- Ne tenez pas la machine par le siège lors des déplacements.
- Cet appareil ne doit être utilisé que par une seule personne à la fois.
- Cette machine est conçue pour un usage domestique et le poids maximal de l'utilisateur est de 110 kg.
- Laissez 1 à 2 mètres d'espace derrière la machine pour éviter les accidents.
- Placez la machine sur une surface propre et plane. Ne le posez pas sur un tapis épais, qui pourrait gêner la ventilation de l'appareil. Ne placez pas l'appareil à l'extérieur ou près de l'eau.
- Maintenez l'emplacement de stockage sec, propre et de niveau pour éviter tout dommage. Il est interdit d'utiliser l'appareil à des fins autres que la formation.
- Utilisez l'appareil uniquement dans un environnement dont la température ambiante est comprise entre 10 °C et 35 °C. Conservez l'appareil uniquement dans un environnement dont la température est comprise entre 5 °C et 45 °C.

## GARANTIE

**Les demandes de garantie sont exclues si la cause du défaut est le résultat de:**

- Travaux d'entretien et de réparation non effectués par un concessionnaire officiel.
- En cas d'utilisation inappropriée, de négligence et/ou de mauvais entretien.
- Le fait de ne pas entretenir l'appareil conformément aux instructions du fabricant.

## INSTRUCTIONS DE MONTAGE (STEP 01-06)

**Des pièces manquantes:** Si certaines pièces manquent dans l'emballage, vérifiez soigneusement la mousse de polystyrène et l'appareil lui-même. Certaines pièces (boulons, vis, etc.) sont déjà fixées à l'appareil.

**Message d'erreur:** Veillez à ce que tous les câbles soient fixés avec soin. Les pieds en aluminium de la console sont très sensibles et doivent rester droits. Si la console donne un message d'erreur après le montage de la machine, il se peut que les pieds en aluminium de la console soient pliés. Redressez les pieds en aluminium, cela peut faire disparaître le message d'erreur.

**Boulons à tête hexagonale:** Assurez-vous que la clé hexagonale est bien enfoncée dans le boulon avant d'appliquer la force. Cela empêchera la tête du boulon à douille de tourner.

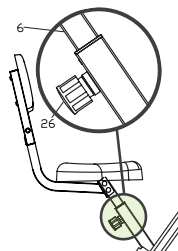
## AJUSTEMENT

### La selle

Afin de s'entraîner efficacement, il est conseillé de régler la selle à la bonne hauteur. Lorsque vous pédalez, vos genoux doivent être légèrement pliés lorsque les pédales sont en position basse.

**Pour régler la selle en position verticale, suivez les étapes ci-dessous:**

- Desserrez le bouton de la tige de selle et tirez le bouton vers vous.
- Déplacez la tige de selle vers le haut ou le bas jusqu'à ce que la selle soit dans la position souhaitée et relâchez le bouton.
- Déplacez la tige du siège légèrement vers le haut ou vers le bas pour vous assurer que le bouton se trouve dans l'un des trous de réglage.
- Serrez le bouton de la tige de selle.



### Waterpass

- Pour des raisons de stabilité et de sécurité, le vélo d'appartement pliable est doté d'un cadre soudé. S'il est assemblé correctement

en une seule fois, le vélo d'exercice ne nécessitera aucun autre réglage.

- Assurez-vous toujours que le vélo d'exercice pliable est placé sur une surface stable. En cas de doute, un tapis en caoutchouc peut être placé sous le vélo d'exercice pour améliorer l'adhérence au sol. Si le vélo d'exercice pliable nécessite un certain réglage, une simple rotation des extrémités réglables (27) des deux côtés du cadre arrière permet de compenser le vélo d'exercice pour une surface inégale.

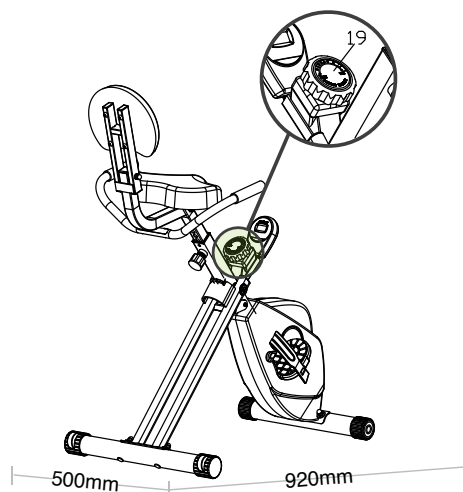
### Bouton de Résistance

Afin de garantir un mouvement de pédalage fluide et efficace, la résistance est ajustée à l'usine pendant la production.

#### Réglage de la ension avec la bouton de résistance

La tension peut être réglée sur différents niveaux de résistance en tournant le bouton de résistance (19).

**REMARQUE!** Il est recommandé de commencer la formation à un niveau qui correspond à vos propres besoins. N'oubliez pas de commencer lentement et doucement, puis de monter en puissance jusqu'au niveau qui vous convient.



## INSTRUCTIONS DE PLIAGE

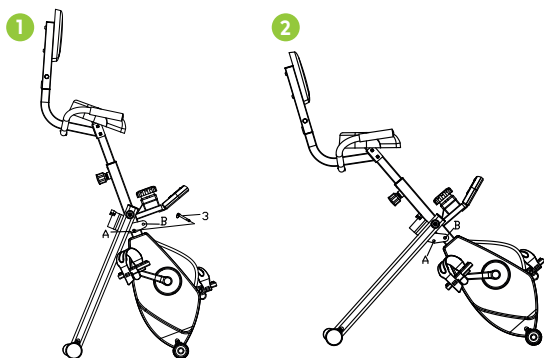
**REMARQUE!** Rangez le vélo d'appartement pliable dans un endroit sec, hors de portée des enfants, comme indiqué sur le schéma. Assurez-vous que le vélo d'exercice pliable est stable et sécurisé pour éviter qu'il ne tombe sur des animaux ou des enfants.

### Pliage (1)

La goupille de verrouillage (3) peut être utilisée pour plier le vélo d'appartement. Pour plier le vélo d'appartement pliable, placez la goupille de verrouillage (3) en position A.

### Pliage (2)

La goupille de verrouillage (3) peut être utilisée pour déplier le vélo d'appartement pliable. Lorsque le vélo d'exercice pliable doit être utilisé, placez la goupille de verrouillage (3) en position B.



## ENTRAÎNEMENT AVEC DES APPS DE FITNESS

**VirtuFit ne fournit pas de service pour les applications de fitness tierces telles que Kinomap, iConsole, FitShow etc. Si vous rencontrez des problèmes avec une application de fitness tierce, veuillez contacter le développeur de l'application en question.**

### Instruction

- Pour scanner le code QR avec un téléphone ou une tablette Android ou IOS, un scanner de code QR est nécessaire. L'application permettant de scanner les codes QR peut être téléchargée sur l'App Store ou le Google Play Store.
- Scannez l'un des codes QR ci-dessous pour accéder directement à la page de l'App Store ou du Google Play Store où l'application de fitness peut être téléchargée.
- Scannez le code QR à droite pour accéder au manuel de l'application de fitness. Le manuel décrit étape par étape comment connecter l'application de fitness à l'appareil, comment l'application de fitness fonctionne et quelles sont ses possibilités.

### iConsole



APP STORE



GOOGLE PLAY



MANUEL

## ENTRETIEN

**Une utilisation sûre et efficace ne peut être obtenue que si l'appareil est correctement installé et entretenu. Il est de votre responsabilité de veiller à ce que l'appareil soit entretenu régulièrement. Les pièces qui ont été utilisées et/ou endommagées doivent être remplacées avant toute nouvelle utilisation de l'appareil. L'appareil doit être utilisé et rangé uniquement à l'intérieur. Une exposition à long terme aux intempéries et aux changements de température/humidité peut avoir un impact sérieux sur les composants électriques et les pièces mobiles de l'appareil. Débranchez toujours le câble d'alimentation de l'appareil avant de le nettoyer ou de l'entretenir.**

### Entretien quotidien

- Nettoyez et éliminez la sueur et l'humidité après chaque utilisation.
- Vérifiez que l'appareil est exempt de poussière et de saleté.
- N'utilisez pas de produits de nettoyage agressifs et maintenez l'appareil à l'abri de l'humidité.

### Entretien semestriel

- Inspectez tous les boulons et écrous liés aux parties mobiles de l'unité. Serrez les boulons et les écrous si nécessaire et selon les besoins.
- Vérifiez la mobilité des pièces et composants mobiles de l'appareil. Utilisez le spray silicone si nécessaire et selon les besoins.

### Nous recommandons ce qui suit:

- Nettoyez l'appareil après utilisation.
- Utilisez un chiffon sec pour nettoyer le panneau de commande et les zones autour de l'interrupteur marche/arrêt.
- Utilisez un chiffon doux et propre et un détergent pour éliminer les marques et les saletés tenaces sur l'appareil.
- Conservez l'appareil dans un endroit sûr et sec, à l'abri de la

chaleur et de l'eau.

### ATTENTION!

- **Toute réparation doit être effectuée par un technicien professionnel, sauf indication contraire du fournisseur ou du fabricant.**

## Nettoyage

Un nettoyage général de l'appareil prolongera sa durée de vie. Gardez l'appareil propre en le dépoussiérant régulièrement. Un entretien régulier prolongera la durée de vie de votre appareil et évitera les blessures ! Pour de plus amples informations, veuillez consulter le site <https://www.virtufit.nl/service/faq/>

**ATTENTION!** Portez des chaussures propres pour réduire le risque de salir l'appareil. Au moins une fois par an, retirez le capot pour le dépoussiérer.

## Batterie

### BATTERIES AA

L'écran utilise des piles AA, qui sont remplaçables à l'arrière de l'écran. Les piles doivent être insérées correctement.

**Si l'écran est illisible ou si seules certaines parties de l'image fonctionnent, procédez comme suit:**

- Retirez les piles et attendez 15 secondes.
- Puis replacez les piles correctement.

### Conseils sur l'utilisation de la batterie

- Retirez les piles de l'écran lorsqu'elles sont vides ou lorsque l'appareil ne sera pas utilisé pendant une longue période.
- Ne pas recharger, démonter ou jeter les piles au feu.
- Faites bien attention au + et au - lorsque vous insérez les piles. Lors du remplacement des piles, il est recommandé de remplacer toutes les piles, ne pas mélanger les anciennes et les nouvelles piles.
- Il est recommandé d'utiliser des piles alcalines, elles ont une durée de vie plus longue que les piles normales.
- Il est nécessaire de remplacer les piles lorsque l'écran perd de sa luminosité ou cesse de s'afficher.

### Remplacement des piles

- Si l'affichage n'est pas précis, il est recommandé de remplacer les piles.
- Utilisez 4 piles 1,5 AA pour l'alimentation.

## DÉPANNAGE

**L'écran n'affiche aucune valeur:** Vérifiez que les câbles du capteur et de la console sont correctement fixés et non endommagés. Si cela ne résout pas le problème, contactez le fournisseur.

**Le vélo d'appartement grince:** Vérifiez que tous les boulons et écrous sont fermement serrés.

**Bruit de tic-tac lors du pédalage:** Cela peut être causé par l'une des pédales. Démontez la (les) pédale(s) et montez-la (les) correctement sur l'appareil. Serrez fermement la ou les pédales. Si cela ne résout pas le problème, contactez le fournisseur.

**REMARQUE!** La pédale "R" (droite) doit être montée dans le sens des aiguilles d'une montre et la pédale "L" (gauche) doit être montée dans le sens inverse des aiguilles d'une montre.

**Les capteurs de main ne fonctionnent pas correctement:** Lavez vos mains, séchez-les bien et testez à nouveau les capteurs de main. Si cela ne résout pas le problème, vérifiez si les câbles du guidon ne sont pas endommagés et s'ils sont correctement connectés au connecteur. Si cela ne corrige toujours pas le problème, remplacez la poignée.

**La console ne fonctionne pas:** S'il n'y a pas de signal lors du pédalage, vérifiez que le câble est correctement connecté.

## CODES D'ERREURS

### E1:

- **Le moteur ne fonctionne pas (problèmes de moteur)**  
**Solution:** Ce problème peut être causé par le moteur qui a du mal à ajuster sa résistance, ce qui entraîne un bruit fort du moteur. Lorsque cela se produit, le moteur peut être éventuellement endommagé par un dysfonctionnement. Si cela ne résout pas le problème, contactez le fournisseur.
- **Les câbles ont un problème**  
**Solution:** Vérifiez que les câbles ne sont pas endommagés ou qu'ils ne peuvent pas provoquer de courts-circuits.
- **La console a un problème.**  
**Solution:** Remplacez la console.

### E2:

- **Un problème avec les câbles**  
**Solution:** Assurez-vous que les câbles ne sont pas endommagés ou qu'ils présentent un potentiel de court-circuit.
- **Il y a un problème avec la console:**  
**Solution:** Remplacez la console.

• **Il y a un problème avec le moteur:**

**Solution:** Remplacez le moteur.

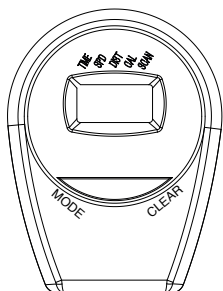
**E3: Il y a un problème avec les câbles.**

- **Solution:** Assurez-vous que les câbles ne sont pas endommagés ou court-circuités.

**E4: Lors de l'analyse de la graisse corporelle, les 8 premières secondes ne permettent pas de détecter le cœur.**

- **Solution:** Lavez vos mains, séchez-les bien et testez à nouveau les capteurs de main. Tenez fermement les poignées des deux mains.

## CONSOLE (FIG. A)



- **TIME** Appuyez sur le bouton MODE jusqu'à ce que la fonction TIME soit sélectionnée. La durée totale du cycle du début à la fin de l'exercice s'affiche.
- **SPEED** Appuyez sur le bouton MODE jusqu'à ce que la fonction SPEED soit sélectionnée. La vitesse s'affiche lorsque vous commencez l'exercice.
- **CALORIES** Appuyez sur le bouton MODE jusqu'à ce que la fonction CALORIES soit sélectionnée. Le nombre total de calories du début à la fin de l'exercice est affiché.
- **DISTANCE** Appuyez sur le bouton MODE jusqu'à ce que la fonction DISTANCE soit sélectionnée. La distance de chaque exercice s'affiche lorsque vous commencez à vous entraîner.
- **ODO** La distance est automatiquement ajoutée lorsque vous commencez l'exercice.
- **PULSE** Appuyez sur le bouton MODE jusqu'à ce que la fonction PULSE soit sélectionnée. Gardez vos mains sur le capteur pendant 3 secondes pour afficher votre fréquence cardiaque.

## Moniteur

### Comment fonctionne le moniteur ?

- Lorsque le moniteur est allumé (appuyez sur le bouton MODE, RESET et maintenez-le enfoncé pendant 3 secondes), l'écran LCD affiche chaque segment et émet un bip pendant une

seconde. Ensuite, allez sur SCAN.

- Si un signal est envoyé au moniteur, les valeurs de TMR, DST et CAL seront additionnées.
- Si aucun signal n'est transmis au moniteur pendant 4 minutes, le moniteur s'éteint automatiquement.

## DIRECTIVES DE FORMATION (FIG. B, 1-5)

Un programme d'entraînement réussi comprend un échauffement, l'entraînement proprement dit et un retour au calme. Effectuez le programme d'entraînement complet au moins deux, mais de préférence trois fois par semaine et gardez un jour de repos entre les séances d'entraînement. Après quelques mois, l'intensité de l'entraînement peut être augmentée, par exemple à quatre ou cinq fois par semaine.

### L'échauffement

L'objectif d'un échauffement est de préparer le corps à l'entraînement et de réduire le risque de blessure. Réchauffez votre corps pendant deux à cinq minutes avant de commencer un entraînement cardio ou musculaire. Faites des exercices qui augmentent le rythme cardiaque et échauffent les muscles qui travaillent. Exemples de ce type d'activités: course, jogging, jumping jacks, saut à la corde et course sur place.

### Étirements

Les étirements pendant que les muscles sont chauds sont très importants après un bon échauffement et un bon retour au calme. Il réduit les risques de blessures. Les exercices d'étirement doivent être maintenus pendant 15 à 30 secondes. Voici quelques exemples d'exercices d'étirement:

- Toe touch (Fig. B-1)
- Inner thigh stretch (Fig. B-2)
- Hamstring stretch (Fig. B-3)
- Achilles stretch (Fig. B-4)
- Side stretch (Fig. B-5)

### Retour au calme

Le but du refroidissement est de ramener le corps à sa position de repos (presque) normale à la fin de l'entraînement. Un bon retour au calme réduit lentement votre rythme cardiaque et favorise la récupération. d'activités: course, jogging, jumping jacks, saut à la corde et course sur

place.

## Étirements

---

Les étirements pendant que les muscles sont chauds sont très importants après un bon échauffement et un bon retour au calme. Il réduit les risques de blessures. Les exercices d'étirement doivent être maintenus pendant 15 à 30 secondes. Voici quelques exemples d'exercices d'étirement:

- Toe touch (Fig. B-1)
- Inner thigh stretch (Fig. B-2)
- Hamstring stretch (Fig. B-3)
- Achilles stretch (Fig. B-4)
- Side stretch (Fig. B-5)

## Retour au calme

---

Le but du refroidissement est de ramener le corps à sa position de repos (presque) normale à la fin de l'entraînement. Un bon retour au calme réduit lentement votre rythme cardiaque et favorise la récupération.



#	DESCRIPTION	QTY.
1	Handlebar	1
2	Rear frame	1
3	Locking pin	1
4	Backrest welding group	1
5	Oval line plug	3
6	Saddle support	1
7	Main frame	1
8	Rear stabilizer	1
9	Front stabilizer	1
10	Crank (R & L)	2
11	Main shaft	1
12	Lower drive wheel shaft	1
13	Magnetic bracket	1
14	Round steel	2
15	Allen bolt M8*70mm	1
16	Console	1
17	Plastic fine adjustment seat	1
18	Chain cover (U)	1
19	Tension Control Knob	1
20	EVA sticker	1
21	Control line	1
22	Plastic gaskets 8.5*20	2
23	Gear piece	2
24	Saddle	1
25	Saddle stem insert	1
26	Seat adjustment knob	1
27	Adjustable hex and cap	2
28	End cap	2
29	Pedal (R & L)	2
30	Chain cover (R & L)	2
31	Pulley brush	2
32	Flywheel	1
33	Pulley bracket	1
34	Lower drive wheel	1
35	Upper drive wheel shaft	1
36	Upper drive wheel	1
37	Sensor bracket	1
38	Magnet	6

#	DESCRIPTION	QTY.
39	Crank guard trim	2
40	Pulley	4
41	Waved washer	5
42	Spring washer	4
43	Self-tapping screw M4*20	3
44	Square pipe plug 30*30	1
45	Square pipe plug 15*30	4
46	Screw M5*50	1
47	Drive belt 230J	1
48	Drive belt 230J	1
49	Spring	1
50	Allen screw M8*20	2
51	Carriage bolt M8*65	4
52	Screw M6*40	2
53	Screw M6*15	6
54	Self-tapping screw M4*20	4
55	Nut M10	2
56	Allen bolt M8*35	4
57	Round pipe plug □22	2
58	Flat washer	1
59	Sensor wire	1
60	Flat washer M8	10
61	Dome nut M8	6
62	Nylon locknut M8	3
63	Flat washer	2
64	Outer brush	4
65	Inner brush	2
66	Lock ring	1
67	Bearing	1
68	Flat washer	1
69	Nylon locknut M10	1
70	Pulley	2
71	Curved washer M8	4
72	Spring washer M8	7
73	Allen bolt M8*45	2
74	Carriage bolt M8*45	2
75	Round wire plug	1
76	Screw M10	4



#	DESCRIPTION	QTY.
77	Cross head screw M6	2
78	Screw M6	2
79	Oval pipe plug 20*40	2
80	Handle grip foam	2

# *virtufit*

## COMPANY INFORMATION

---

For an ongoing service request or to purchase parts, please visit; [service@virtufit.nl](mailto:service@virtufit.nl). Always state the service number (ITS number) with a question about the current application for a quick and efficient settlement. A service request must always be submitted via the service form. So the request not to request service via [info@virtufit.nl](mailto:info@virtufit.nl).

Do you have a problem with your VirtuFit fitness equipment and would you like to submit a service request? Then scan the QR code on the right and fill in our service form.



### VIRTUFIT

Twekkelerweg 263  
7553 LZ Hengelo  
The Netherlands  
[info@virtufit.nl](mailto:info@virtufit.nl)