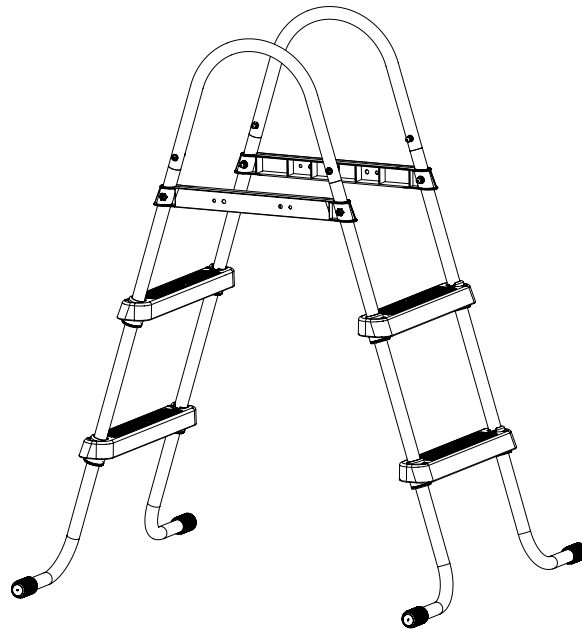


virtufit

Ladder
VF13019



TOOLKIT

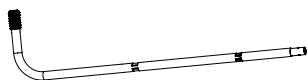
1 (4x)



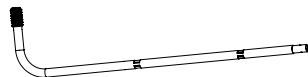
2 (8x)



3L (2x)



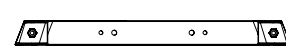
4R (2x)



5 (2x)



6 (2x)



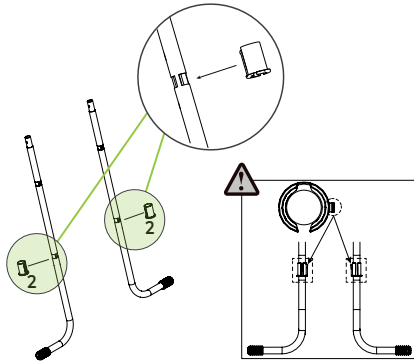
7 (4x) M6x32mm



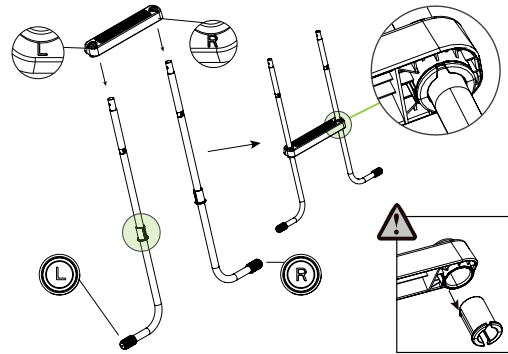
8 (4x) M6x36mm



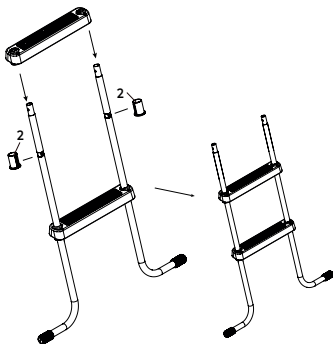
ASSEMBLY INSTRUCTIONS



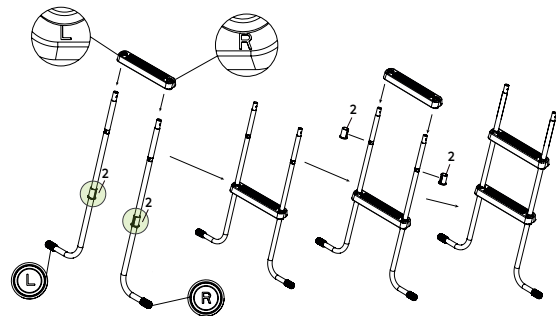
STEP 01



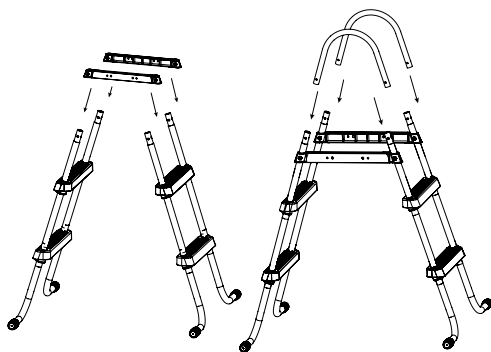
STEP 02



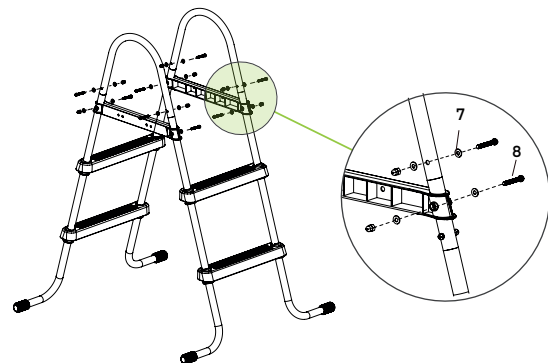
STEP 03



STEP 04



STEP 05



STEP 06