

virtufit

Supboard Wall Storage VF06112



TOOLKIT



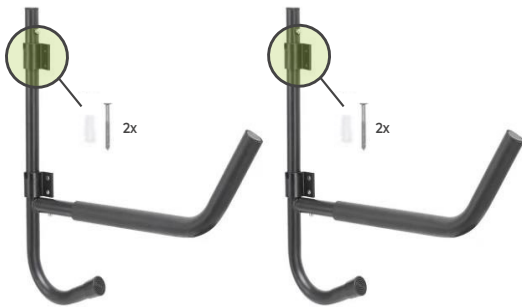
ASSEMBLY INSTRUCTIONS



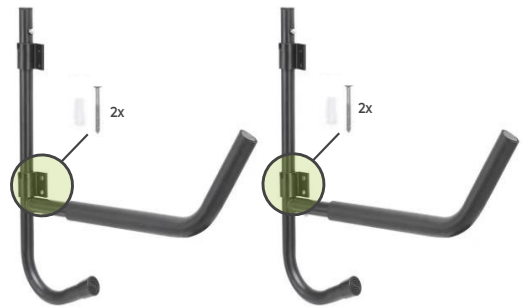
STEP 01



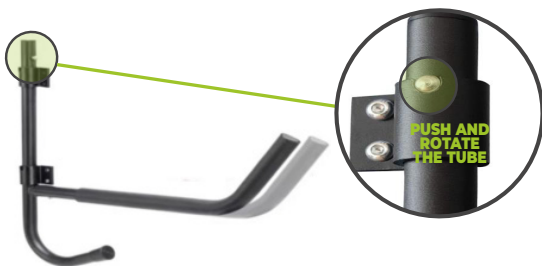
STEP 02



STEP 03a / WALL MOUNT



STEP 03b / WALL MOUNT



STEP 04 / ROTATE



STEP 05 / FOLDED