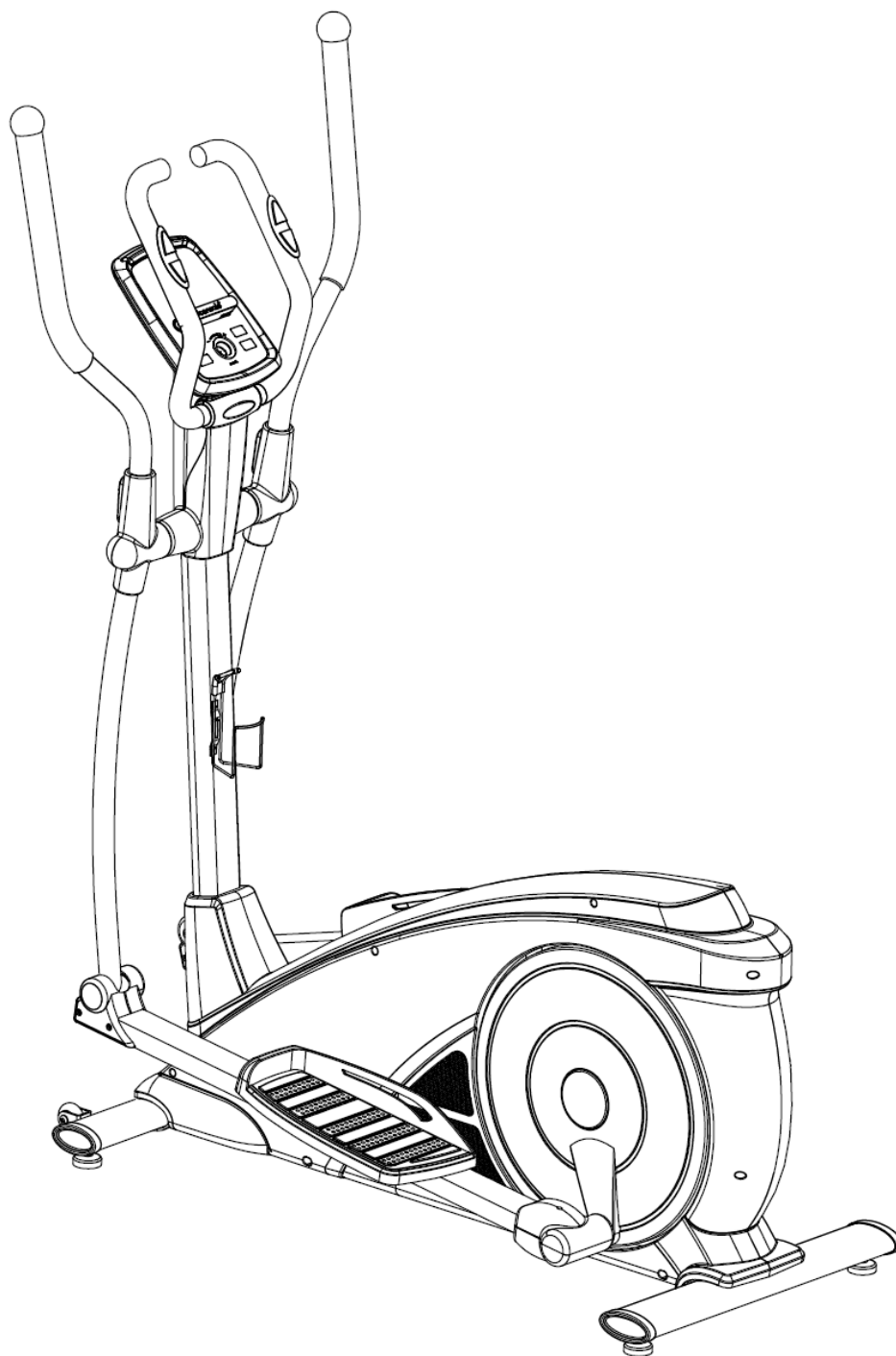


# virtuafit

*iConsole Total Fit Ergometer Crosstrainer*

## User manual



<b>Safety instructions</b>	<b>3</b>
<b>Assembly instructions</b>	<b>4</b>
<b>Maintenance</b>	<b>10</b>
<b>Operating instruction</b>	<b>11</b>
<b>Exploded Drawing</b>	<b>15</b>
<b>Parts List</b>	<b>16</b>

**WARNING: We suggest that you should consult with your physician or health professional before starting your workout, especially for the age up to 35 old or people with health problems. We take no responsible for any problems or injuries if you don't following our specification.**

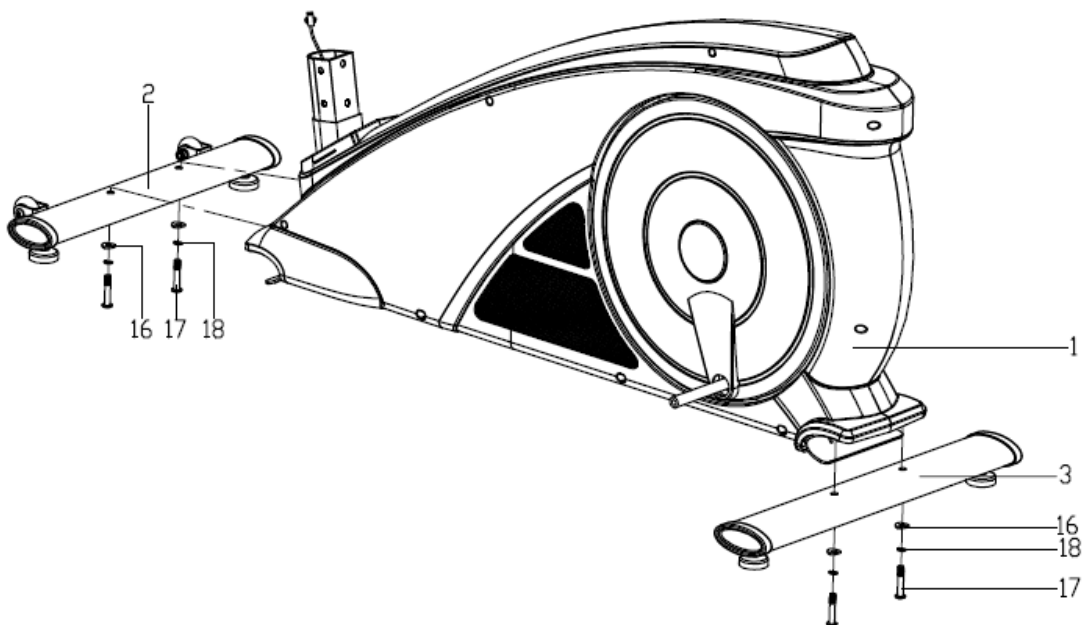
## ATTENTION

- This elliptical trainer is made for home use only and tested up to a maximum body weight of 150 kgs.
- Follow the steps of the assembly instructions carefully.
- Use only original parts as delivered.
- Before the assembly, be sure to check if delivery is complete by using the included partslist.
- For assembly use only suitable tools and asks for assistance with assembly if necessary.
- Place the exerciser on an even, non-slippery surface. Because of possible corrosion, the usage of anY exerciser in moist areas is not recommended.
- Check before the first training and every 1-2 months that all connecting elements are tight fitting and are in the correct condition. Replace defective components immediately and/ or keep the equipment out of use until repair. For repairs, use only original parts.
- In case of repair, please ask your dealer for advice.
- For repairs, use only original spare parts.
- Avoid the use of aggressive detergents when cleaning the home exerciser.
- Ensure that training starts only after correct assembly and inspection of the item.
- For all adjustable parts be aware of the maximum positions to which they can be adjusted/ tightened to.
- The home exerciser is designed for adults. Please ensure that children use it only under the supervision of an adult.
- Ensure that those present are aware of possible hazards, e.g. movable parts during training.
- Warning: incorrect/excessive training can cause health injuries.
- Consult your physician before starting with any exercise program. He or she can advise on the kind of training and which impact is suitable.

**Before you start to assemble the device, please read the following points carefully:**

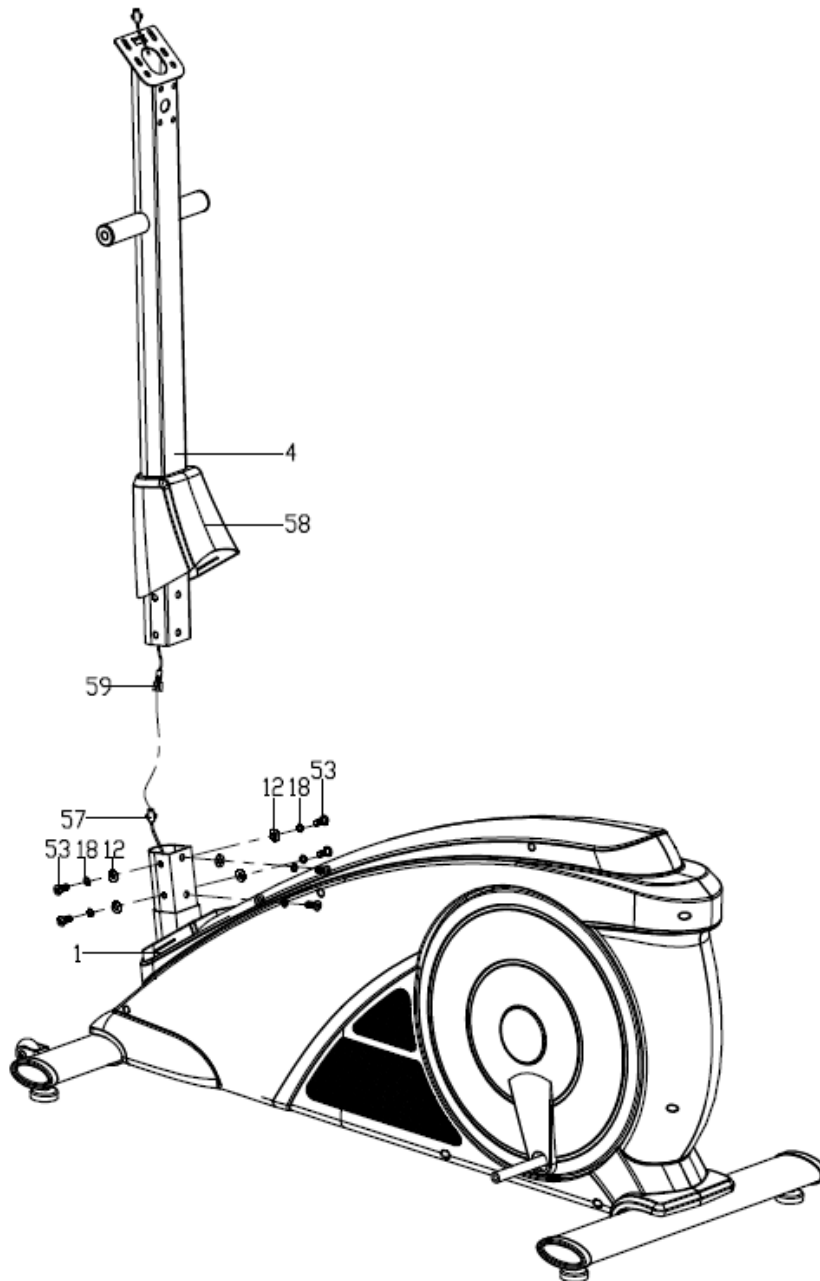
1. Missing parts: If you think you are missing certain parts in your package, carefully check the styrofoam and the device yourself. Some parts (bolts, screws, etc.) are already attached to / in the device.
2. Error message: Make sure that all cables are carefully attached. The adjustable feet are very sensitive and should remain straight. Do you get an error message after the installation of your cross trainer? Then you should bend these adjustable feet straight again, this may cause the error message to disappear.
3. Transport wheels: Make sure that the transport wheels are attached to the front of the device.
4. Allen screws: In the upright of crossbar are hex bolts, make sure that the Allen key is properly in the bolt before you apply force to the key. In this way you prevent the head of the socket head from being turned.

## STEP 1



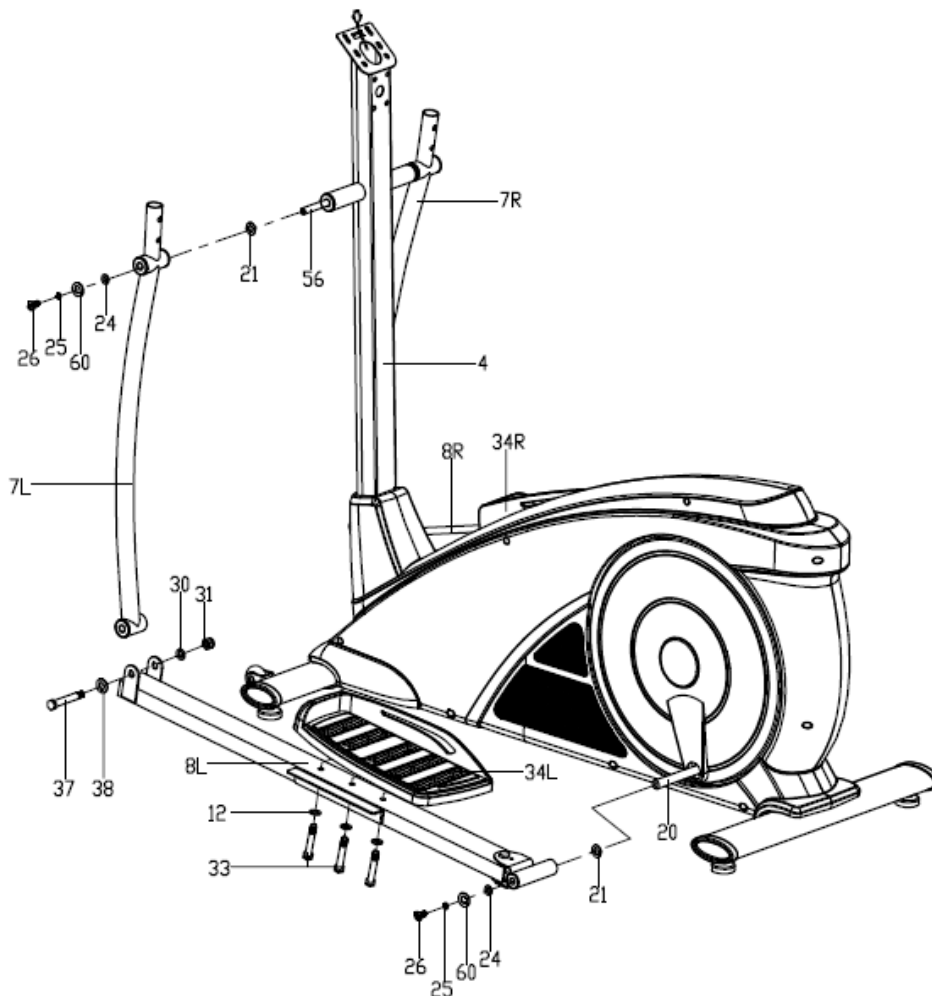
- Install the Front bottom tube (2) and Rear bottom tube (3) to the Main frame (1) with the Hex socket screws (17), Spring washers (18) and Arc washers (16) as shown.

## STEP 2



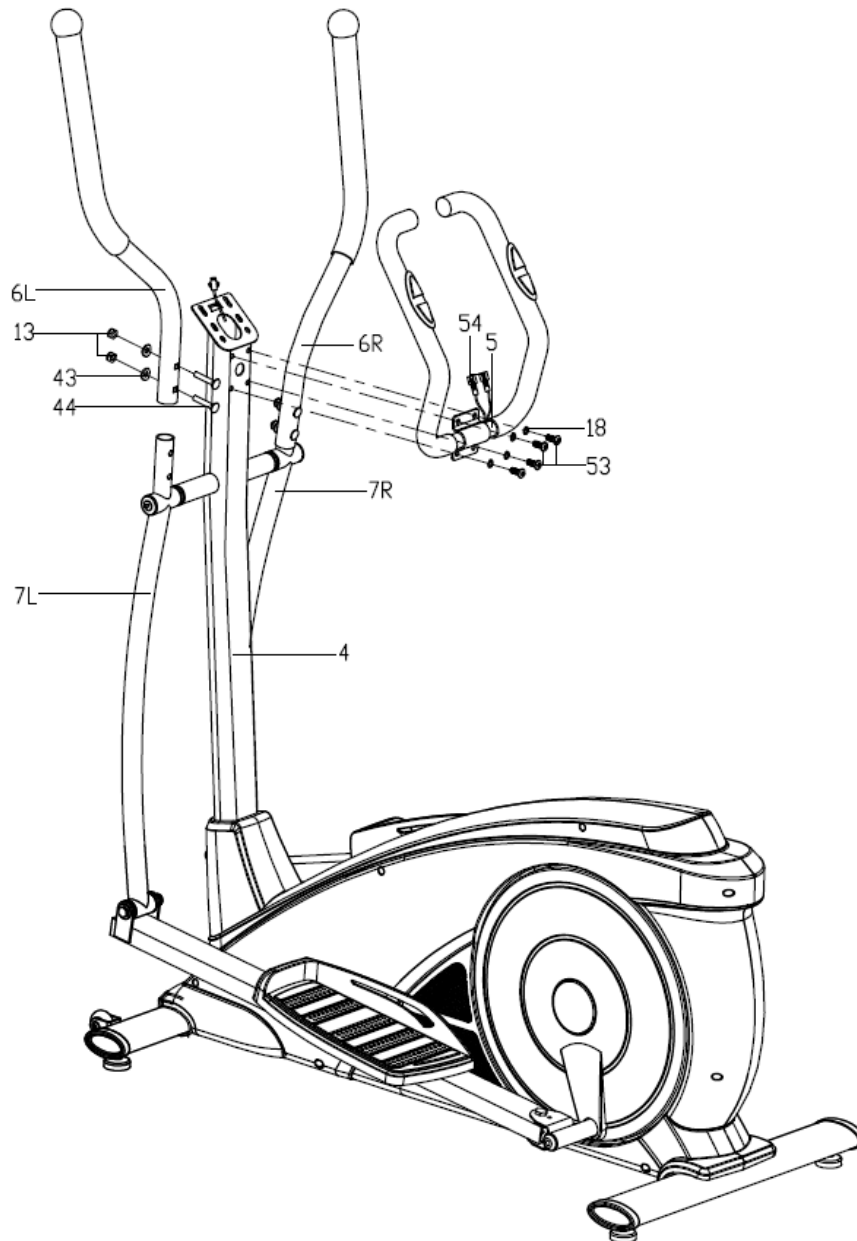
- Insert the Handlebar post (4) through the Protective guard (58);
- Connect the Extension sensor wire (59) with the Sensor wire (57) properly at first, then lock the Handlebar post (4) onto the Main frame (1) with the Allen bolts (53), Spring washers (18) and Flat washers (12), and then put on the Protective guard (58) in place.

## STEP 3



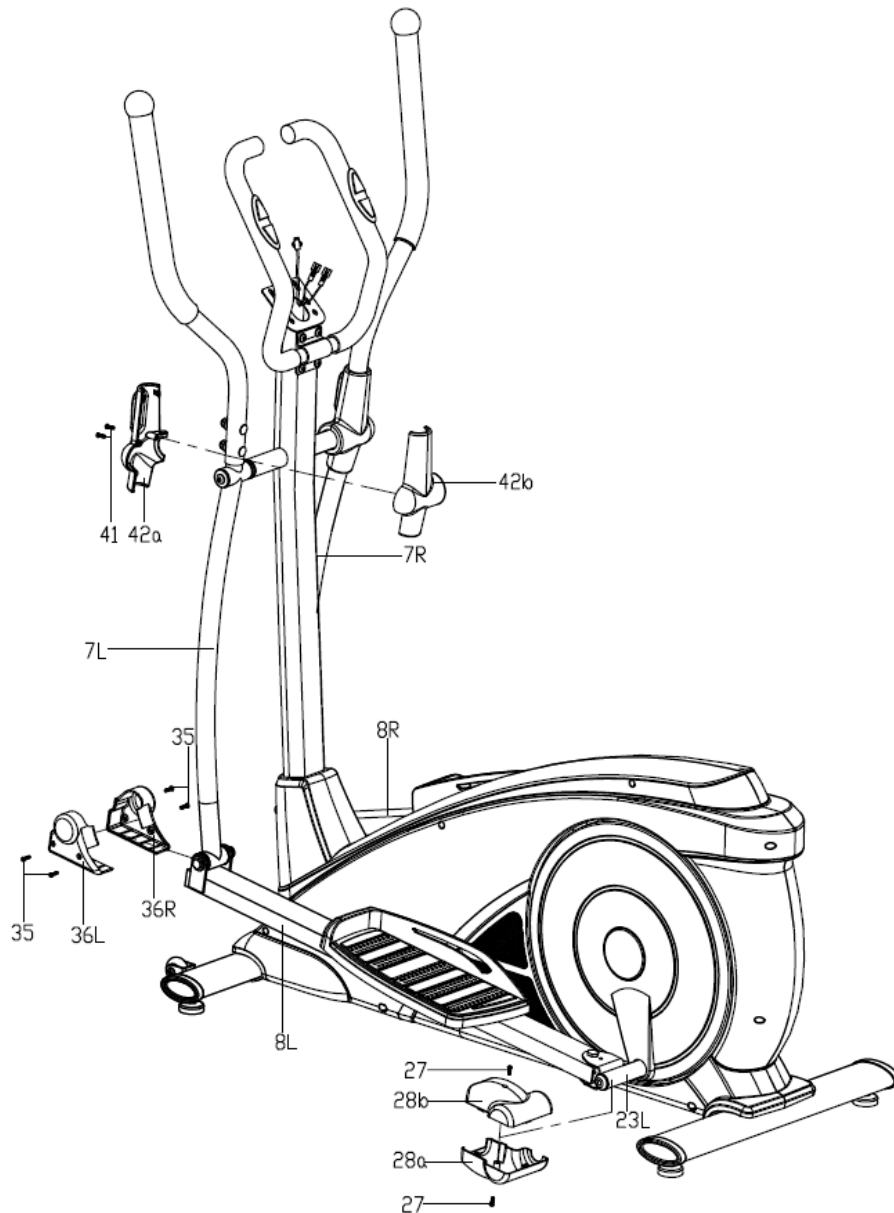
- Insert the Long axle (56) to the Handlebar post (4), then attach the Swing tube (7L/R) on the Long axle (56) with the Hex socket screws (26), Spring washers (25), Flat washer (60), D-shape washers (24) and Wave washers (21). Attention: Don't lock them tightly now;
- Fix the Pedal support (8L/R) on the Crank (20) with Hex socket screw (26), Spring washer (25), Flat washer (60), D-shape washer (24) and Wave washer (21). Attention: Don't lock them tightly now;
- Connect the Swing tube (7L/R) and Pedal support (8L/R) together with the Screws (37), Flat washers (38), Flat washers (30) and Nylon nuts (31). Then recheck and lock the above mentioned Hex screws (26), Screws (37) and Nylon nuts (31) tightly;
- Lock the Pedal (34L/R) on the Pedal support (8L/R) tightly with the Hex screws (33), Flat washers (12) as shown.

## STEP 4



- Lock the Handlebar (6L/R) on the Swing tube (7L/R) tightly with the Carriage bolts (44), Arc washers (43) and Nylon nuts (13);
- Thread the Hand pulse wires (54) into the hole of Handlebar post (4) and then take it out from the computer bracket. Lock the Fixed handlebar (5) on the Handlebar post (4) tightly with the Allen bolts (53) and Spring washers (18) as shown.

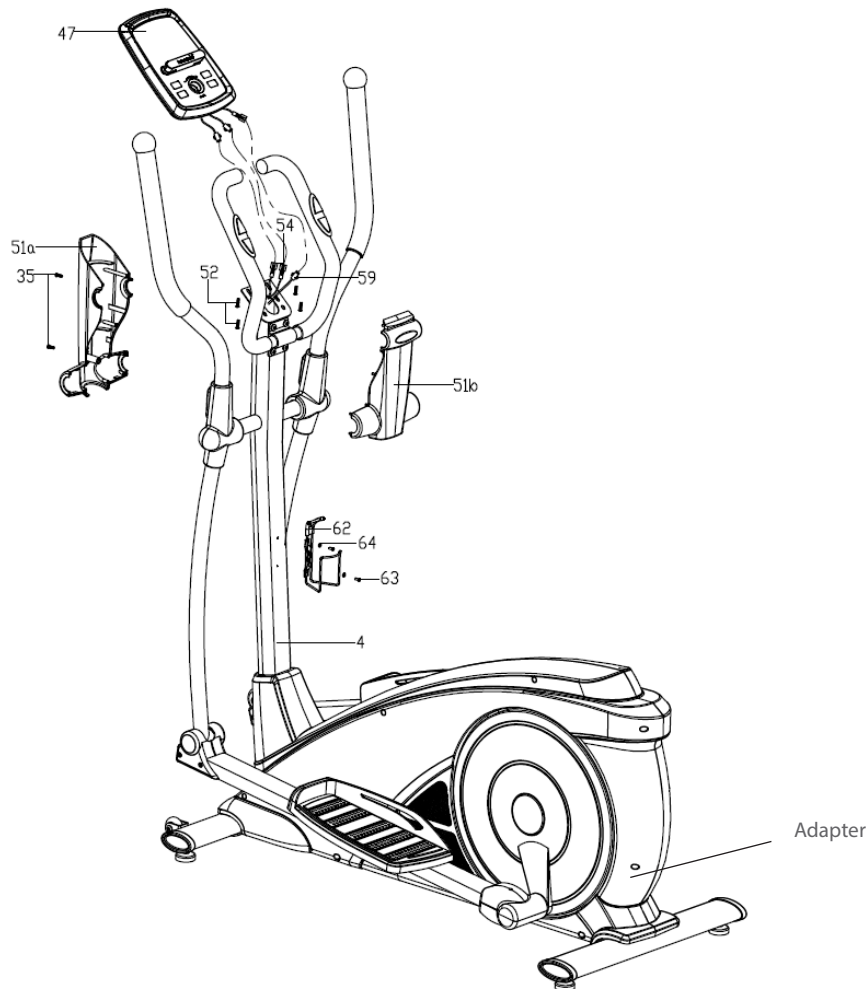
## STEP 5



- Fix the Protective guard (42a/b) on the Swing tube (7L/R) with the Screws (41);
- Fix the Protective guard (36L/R) on the connecting joint of Swing tube (7L/R) and Pedal support (8L/R) with the Screws (35);
- Fix the Protective guard (28a/b) on the Pedal tube joint (23L/R) with the Screws (27) as shown.

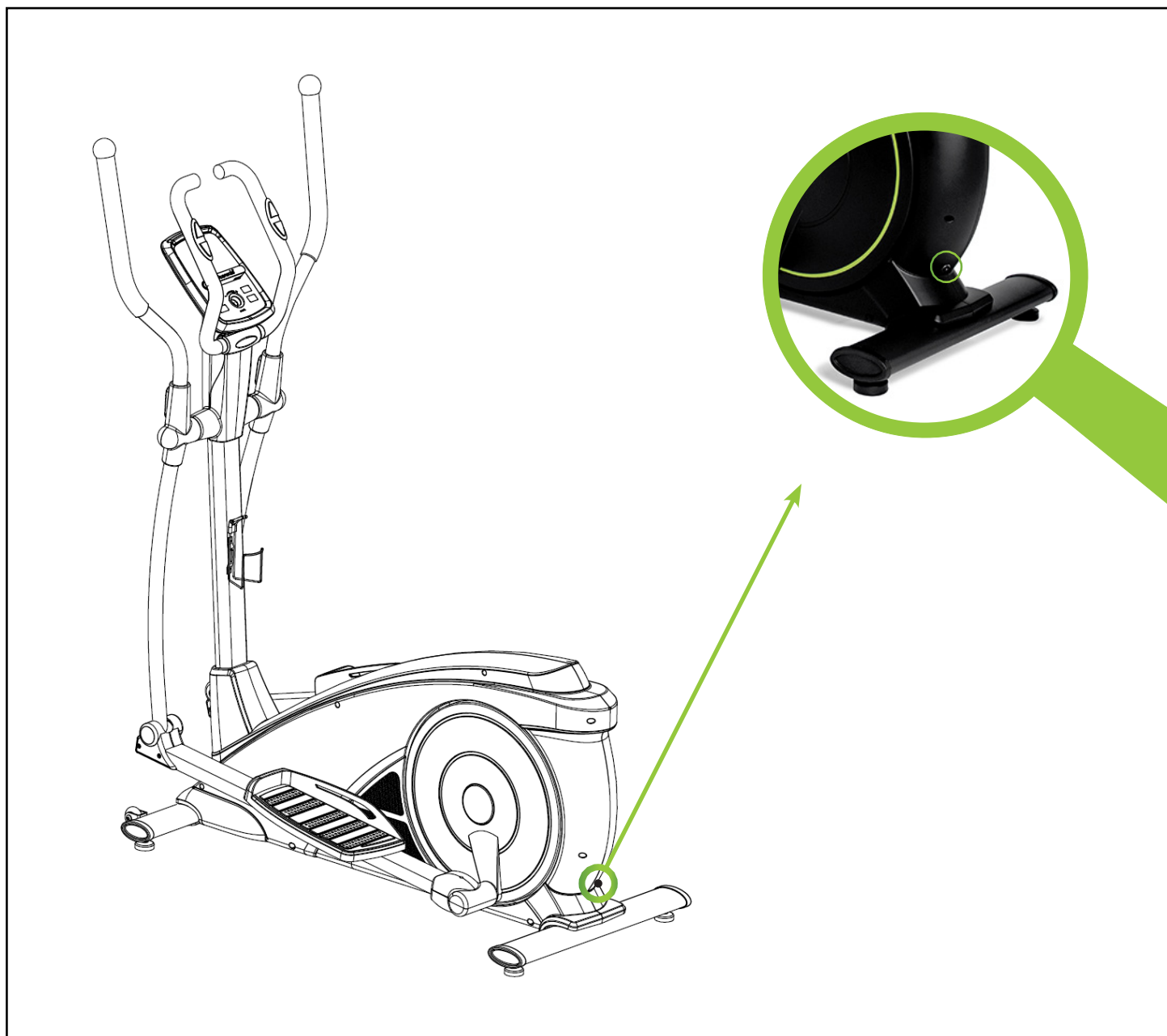


## STEP 6



- First, connect the Extension sensor wire (59) and pulse wires (54) with the proper connecting wires coming out from the Computer (47) respectively, then fix the Computer (47) on the bracket of the Handlebar post (4);
- Lock the Protective guard (51a/b) on the Handlebar post (4) tightly with the Screws (35).
- C: Lock the Kettle holder (62) on the Handlebar post (4) tightly with screw(63) and Flat washer (64).
- You can plug in the adapter now. The power adapter can be plugged in at the rear of the machine as indicated by the arrow in the picture above.

## ADAPTER CONNECTION



The adapter connection is located on the back of the device (see illustration). Attach the adapter to the adapter connection and connect to the power supply. You can now use the elliptical trainer.

The upright is fixed with Allen screws, making sure that the bolts are tight at all times. If the bolts are not tightened tight enough, this can cause cracking.

All moving parts mounted on the base of the device should be greased with grease once every 6 months. This can be done with Vaseline (without acids) or with silicone oil.

After each use, the appliance should be cleaned with a slightly damp cloth and soft soap. If the perspiration is not removed in time, corrosion can occur.

Do not place the cross trainer in a room with high humidity. For example, a shed or a room where the washing machine is located.

## PROBLEM SOLUTIONS

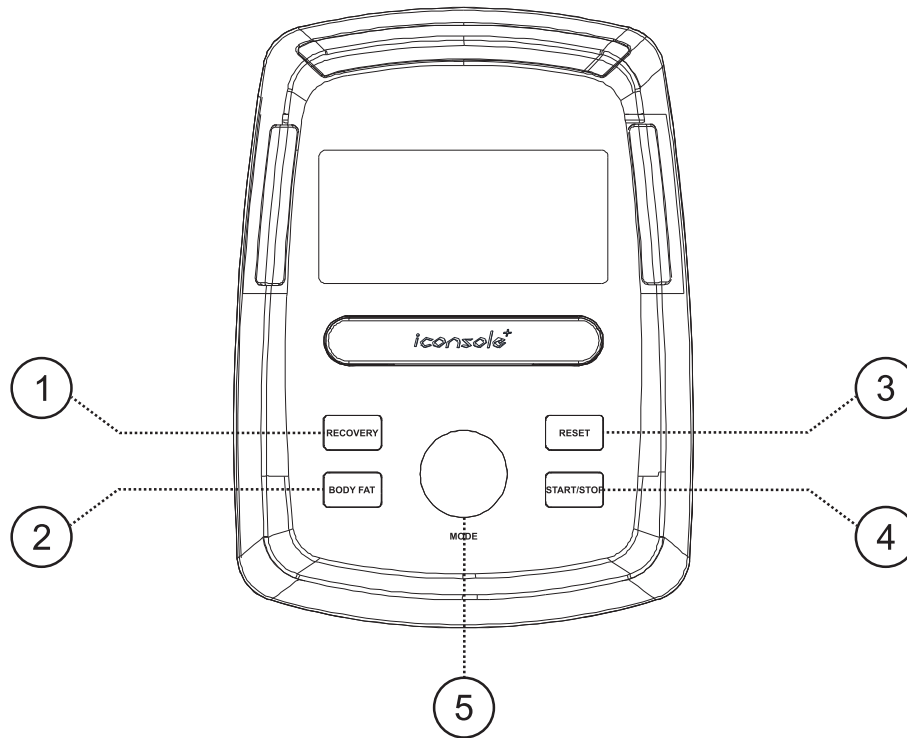
**Squeaky crosstrainer:** First lubricate all rotating parts with silicone spray. It can also be that a screw is tightened too tightly or too loosely, this creates friction and therefore a beep. If this is the case, try to find out exactly where the beep is coming from and then loosen or tighten this screw. The screws should be tightened in such a way that they can always be released by hand.

**No resistance:** First check whether you can hear the motor running. You will hear the motor spin very briefly when you increase or decrease the resistance. If you hear the engine running then all electronics are OK, but the V-belt probably ended. You can then open the housing and replace the V-belt. If you do not hear the motor running, it may be that the motor or display is defective. First check whether the cable that runs upwards in the pipe is connected properly.

**Ticking sound:** It is possible that the flywheel (in the housing) comes against a cable with every pedaling. This may be disturbing but will not cause permanent damage to your cross trainer. To solve this, open the housing and move the cable or you can fasten it with for example a tie-wrap.

**Heart rate display does not work:** This can have various causes. 1. The sensor cable running from the heart rate sensor to the display is not properly mounted or has come off during use. 2. It may be that the sensors have become damp, dirty or greasy, clean them regularly. 3. If you have a lot of calluses on your hands, it is more difficult for the sensors to measure, when this is the case a chest strap is recommended.

## KEY FUNCTION



1. Recovery

Test heart rate recovery status.

2. Body fat

Test body fat% and BMI.

3. Reset

- Hold on pressing for 2 seconds, computer will reboot and start from user setting.
- Reverse to main menu during presetting workout value or stop mode.

4. Start/ Stop

Start or Stop workout.

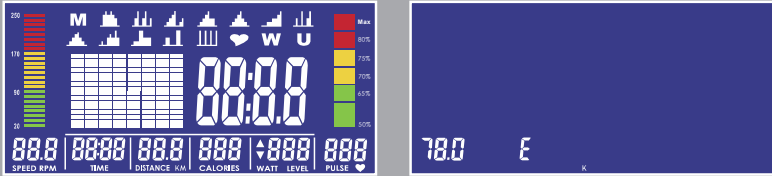
5. Encoder

- Increase / Decrease Value.
- Confirm / Setting selection.

## DISPLAY FUNCTIONS

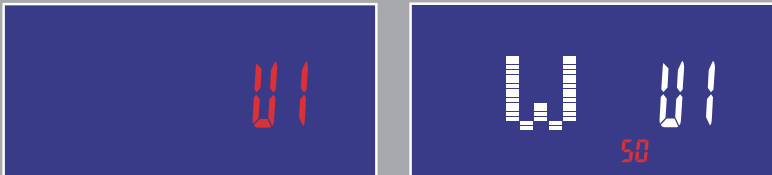
TIME	Workout time displayed during exercise. Range 0:00 ~ 99:59
SPEED	Workout speed displayed during exercise. Range 0.0 ~ 99.9
DISTANCE	Workout distance displayed during exercise. Range 0.0 ~ 99.9
CALORIES	Burned calories during workout display. Range 0 ~ 999
PULSE	Pulse bpm displayed during exercise. Pulse alarm when over preset target pulse.
RPM	Rotation per minute Range 0 ~ 999
WATT	Workout power consumption In Watt Program mode, computer will remain preset watt value (setting range 0~350)
MANUAL	Manual mode workout.
PROGRAM	12 PROGRAM selections.
USER	User creates resistance level profile.
H.R.C.	Target HR training mode.
RECOVERY	Heart rate recovery status
BODY FAT	Body fat measurement.
WATTS	Workout power consumption. Range 10 ~ 350.

## OPERATION

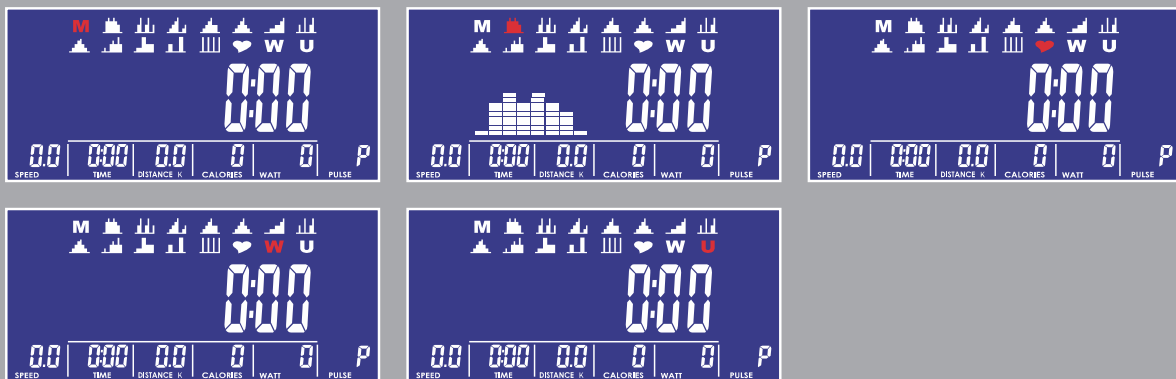


1. Plug in power supply (or Holding press RESET KEY for 2 seconds), buzzer would make a sound and display all segments on LCD for 2 seconds.

Then wheel diameter value would display in SPEED area and European specification would display "E" or Asian Specification would display "A" in the TIME area & KM (K) / ML (M) DISTANCE text would display on the right. Then entering the setting mode, regardless where the motor's level is, it has to reverse and turns into zero and then go to LOAD = 1, wait for each setting.

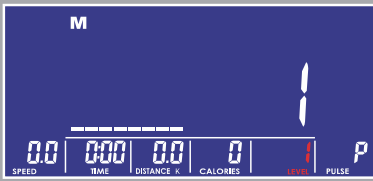


2. Turning and pressing encoder can enter USER setting (with BODY FAT function), setting personal date in U1~U4. Then entering work out section.

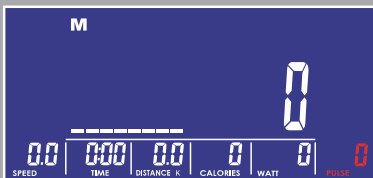
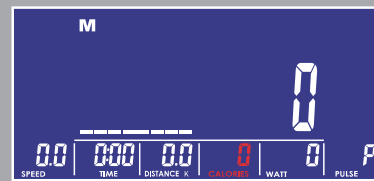


3. Turning and pressing encoder can enter Entering setting mode, the M (Manual) would flash in the matrix display with 1HZ. Turning the encoder can choose M(Manual), P(Program), ♥ (H.R.C.), W(Watt), U(User) cyclically.

## OPERATION



4-1



4-2

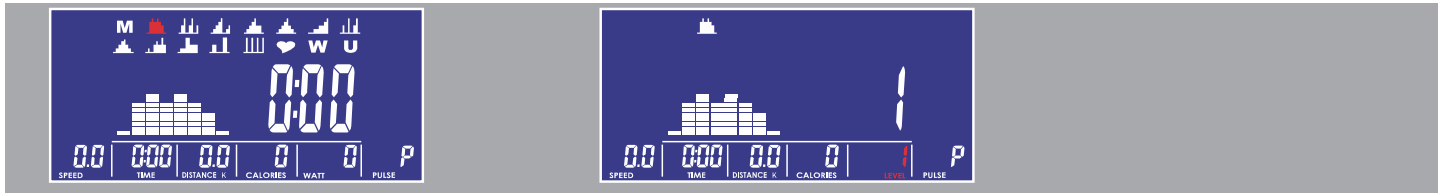


4-3

### 4. Manual Mode

- (1) Turning and pressing encoder can adjust the LEVEL value which would flash until setting down. The default value is LEVEL 1. (see fig. 4-1)
- (2) The value is not running cyclically as adjusting.
- (3) After START user still can adjust MANUAL LEVEL and matrix display LEVEL and value. In three seconds without any entry then would display WATT value.
- (4) Turning and pressing encoder can adjust other values (as TIME, DISTANCE, CALORIES, PULSE) those values would run cyclically. (see fig. 4-2)
- (5) After START only can operate the function. RPM BAR and PULSE BAR values would change. Pressing STOP KEY could stop and all values would remain (HR signal would not effect). Pressing RESET KEY could return to PROGRAM SELECT. (see fig. 4-3)

## OPERATION

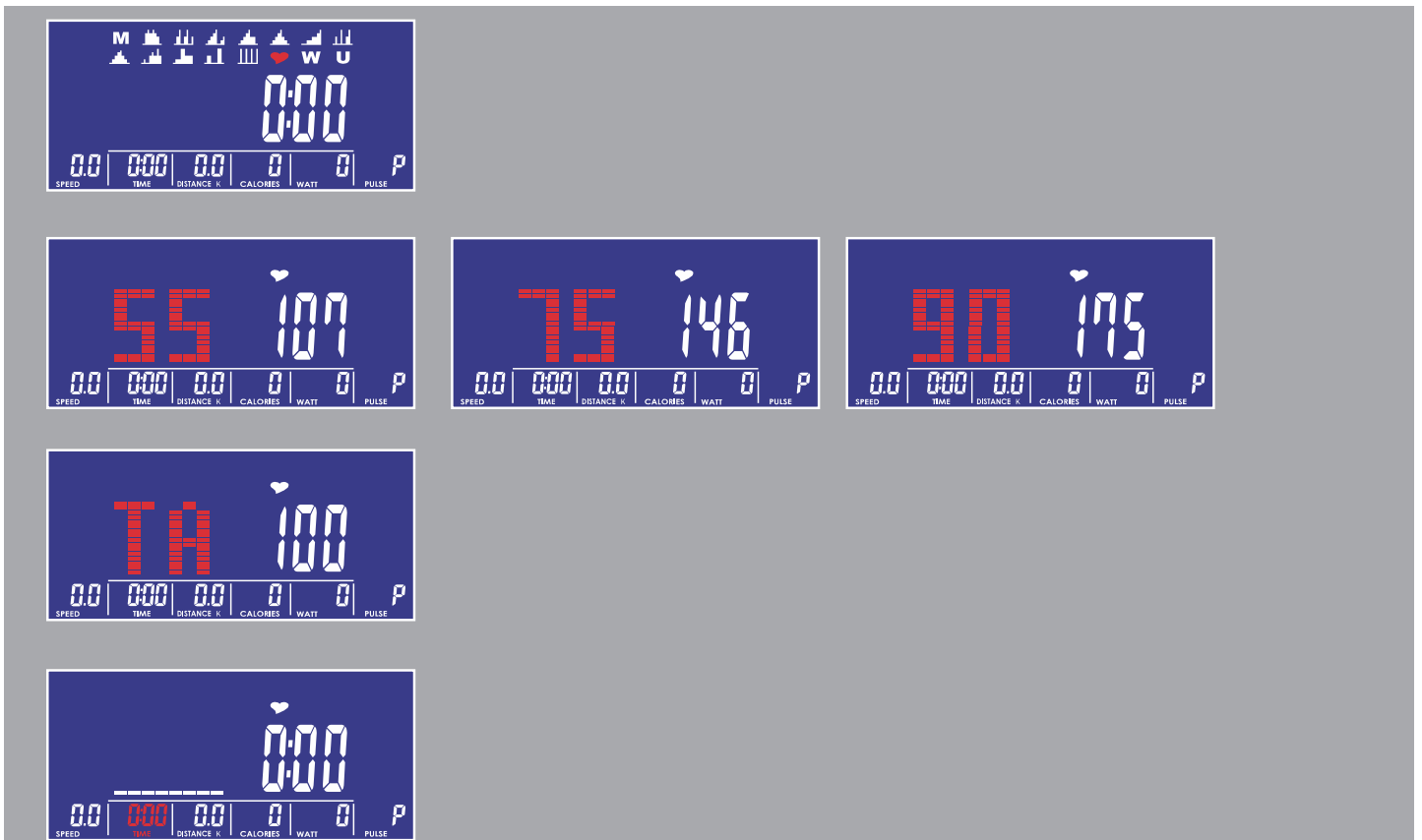


### 5. Program Mode

(1) Turning and pressing encoder can selecting P01,P02,P03,P04.....,P12 in PROGRAM MODE. The PROGRAM figure would flash until setting down.

(2) The PROGRAM figures would display differently as selecting.

(3) After setting TIME pressing START KEY to start program. After START user still can adjust LEVEL and matrix display LEVEL and value. In three seconds without any entry then would display WATT value.



### 6. H.R.C Mode

(1) User can select 55%, 75%, 90% and TARGET value by turning and pressing encoder to confirm. During selecting the default value, which is calculated by age, would flash.

(2) After setting TIME pressing START KEY to start program.

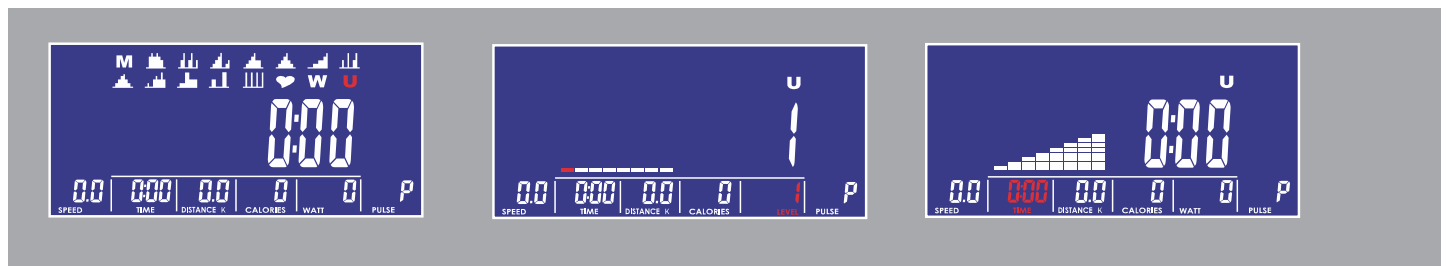


## OPERATION



### 7. WATT mode

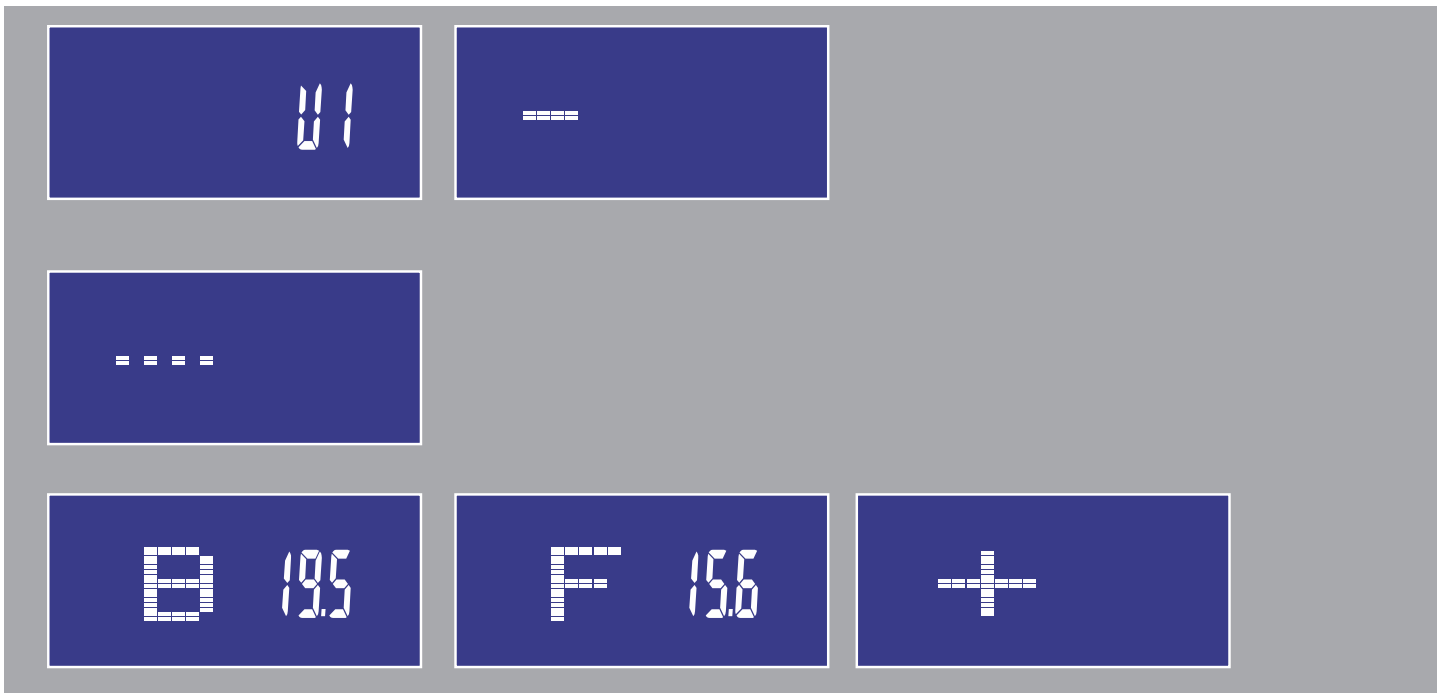
- (1) WATT target. (default: 120)
- (2) Turning and pressing encoder can adjusting WATT value.
- (3) Then after START user still can exercise by setting WATT LEVEL and would adjust automatically. (4) After START user still can adjust WATT value.



### 8. User Program Mode

- (1) Automatically loaded the U1-U4.
- (2) Turning and pressing encoder user can set the program (the 8 LEVEL values) that each would flash until setting down. If user wants to stop setting, pressing encoder for 2 seconds, then the value would be the same as last setting.

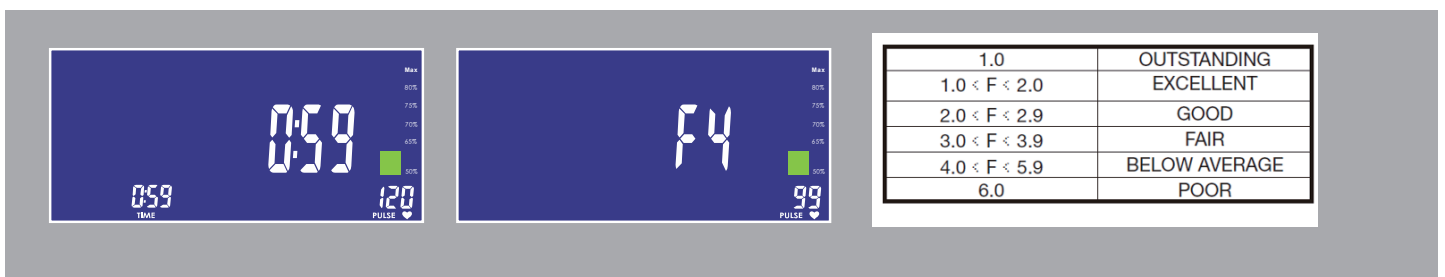
## OPERATION



### 9. Body Fat Mode

(1) During STOP pressing FAT KEY can operate fat measurement. Then entering U1-U4 for 2 seconds. (2) After receiving HR signal would start operating.

(3) After 8 seconds would display BMI, FAT%, fat or skin icons.



### 10. Recovery Mode

During START or STOP input the HR signal and display the value, then pressing the RECOVERY KEY to operate.

The matrix only displaying time and pulse. Time would count down from 60 seconds and the pulse shows the real HR value. During or end testing pressing RECOVERY KEY to back to last display. And after testing continue display real HR value.



Download iConsole+ app in App Store or Google Play.

Turn on Bluetooth on tablet or smartphone, search for console device and press Connect. Turn on iConsole+ app on tablet or smart phone, and press connect to start workout with tablet. (password: 0000)

#### NOTE:

1. Once console is connect to tablet or smart phone, the console will power off.
2. Please exit iConsole app and turn off the Bluetooth, then the console will power on again.

#### Support iOS devices:

iPod Touch (5th generation), iPod Touch (4th generation), iPod Touch (3rd generation), iPhone 6+,

iPhone 6, iPhone 5S, iPhone 5, iPhone 4S, iPhone 4, iPhone 3GS, iPad Air2, iPad Air, iPad 4, iPad 3, iPad 2 iPad, iPad Min3, iPad Min2, iPad Min

Support iOS 5.1.1 or above

“Made for iPod,” “Made for iPhone,” and “Made for iPad” mean that an electronic accessory has been designed to connect specifically to iPod, iPhone, or iPad, respectively, and has been certified by the developer to meet Apple performance standards. Apple is not responsible for the operation of this device or its compliance with safety and regulatory standards.

Please note that the use of this accessory with iPod, iPhone, or iPad may affect wireless performance.

iPad, iPhone, iPod, iPod classic, iPod nano, iPod shuffle, and iPod touch are trademarks of Apple Inc., registered in the U.S. and other countries.

#### Support Android devices:

Android tablet OS 4.02 or above

Android tablet resolution 1280X752 pixels

Android phone OS 2.2 or above

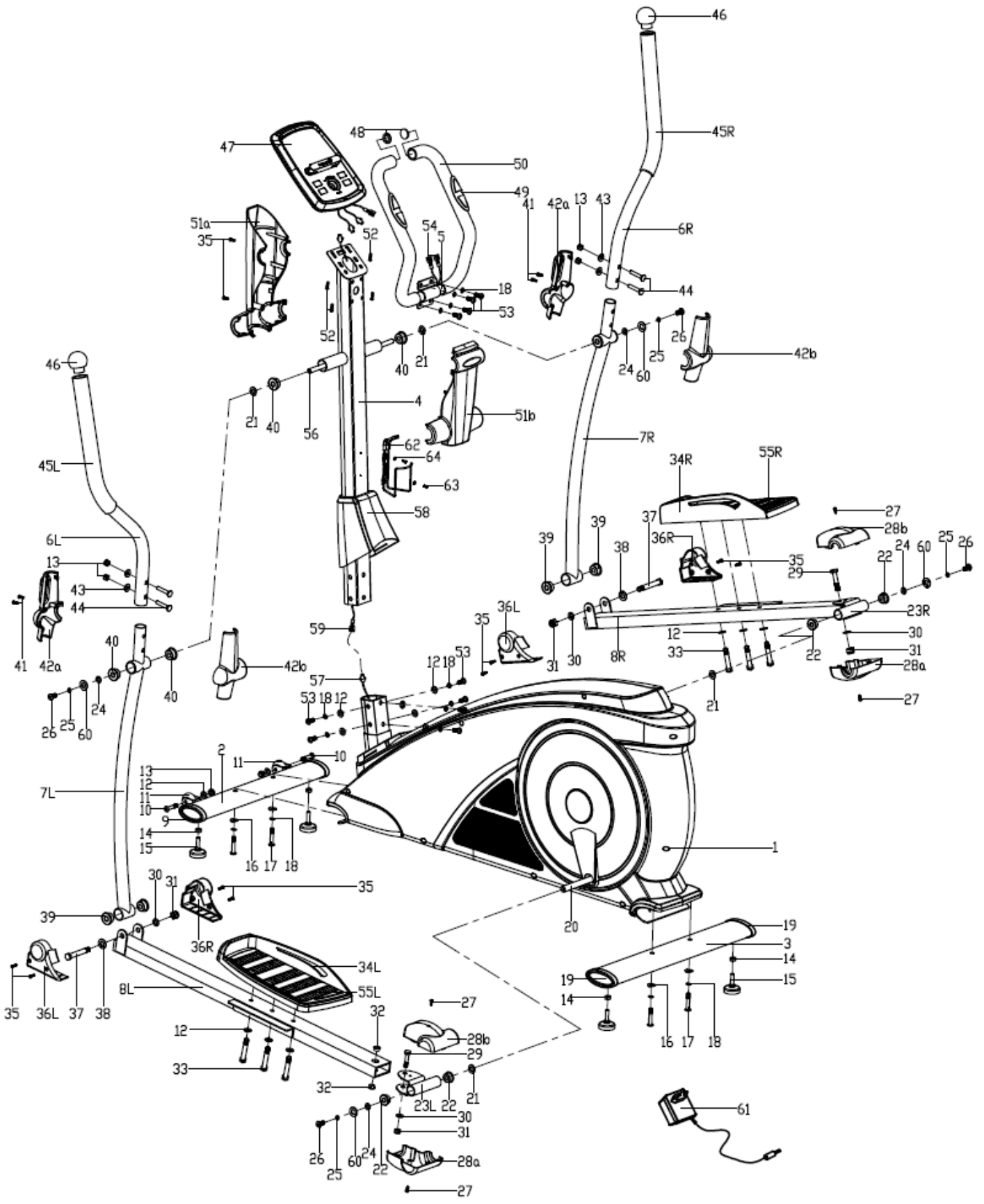
Android phone resolution 800X1280 pixels

720X1280 pixels 480X800 pixels

#### NOTE:

Android is available in English, German, Traditional Chinese, Simplified Chinese.

iOS is available in English, Simplified Chinese. The users can select their prefer language under those options, otherwise all others would display in English.



#	Description	Qty
01	Main frame	1
02	Front bottom tube	1
03	Rear bottom tube	1
04	Handlebar post	1
05	Fixed handlebar	1
6 L/R	Handlerbar	Each 1
7 L/R	Swing tube	Each 1
8 L/R	Pedal support	Each 1
09	End cap	2
10	Hex screw M8x40xL12	2
11	Roller	2
12	Flat washer D8x Ø16x1.5	14
13	Nylon nut M8	6
14	Hex nut M10	4
15	Adjustable foot	4
16	Arc washer d8x2x Ø25XR39	4
17	Hex socket screw M8xL58	4
18	Spring washer D8	14
19	End cap	2
20	Crank	2
21	Wave washer Ø17x Ø23x0.3	4
22	Plastic bushing Ø24x16x Ø16.1	4
23 L/R	Pedal tube joint	Each 1
24	D-shape washer	4
25	Spring washer D10	4
26	Hex socket screw M10x20	4
27	Screw M5x10	4
28 a/b	Protective guard	Each 2
29	Hex bolt M10x55	2
30	Flat washer D10x Ø20x2	4
31	Nylon nut M10	4

#	Description	Qty
32	Bushing Ø18x Ø10x11	4
33	Screw M8x45	6
34	Pedal L/R	Elk 1
35	Screw ST4.2x18	10
36	Protective cover L/R	Elk 2
37	Screw *12xM10x80	2
38	Flat washer D12x*24x1.5	2
39	Bus *12x*32x23	6
40	Bus *16x*31x23	6
41	Screw ST3.5x12	4
42	Protective cover	Elk 2
43	Wavering D8x*19x1.5xR30	4
44	Bolt M8xL45	4
45	Foam handle L/R	Elk 1
46	Beschermkop crossbar	2
47	Console	1
48	protected crossbar	2
49	Hart rate sensor	2
50	Foam handle	2
51	Protective cover	Elk 1
52	Screw M4x10	4
54	Allen screws Hartslag sensor	2
55	Anti Slip layer L/R	Elk 1
56	Main axis	1
57	Main cable	1
58	Protective cover	1
59	Handlebar cable	1
60	Flat ring D10x*20x2	4
61	Adapter	1
62	Bottle cage	1
63	Screw	2
64	Flat ring	2

**virtu** **fit**

The logo for 'virtu fit' features the words 'virtu' and 'fit' in a bold, lowercase, sans-serif font. A thick, light green wavy line sweeps across the middle of the text, starting under the 'v' and ending under the 't'.

**For questions or missing parts please contact your dealer.**