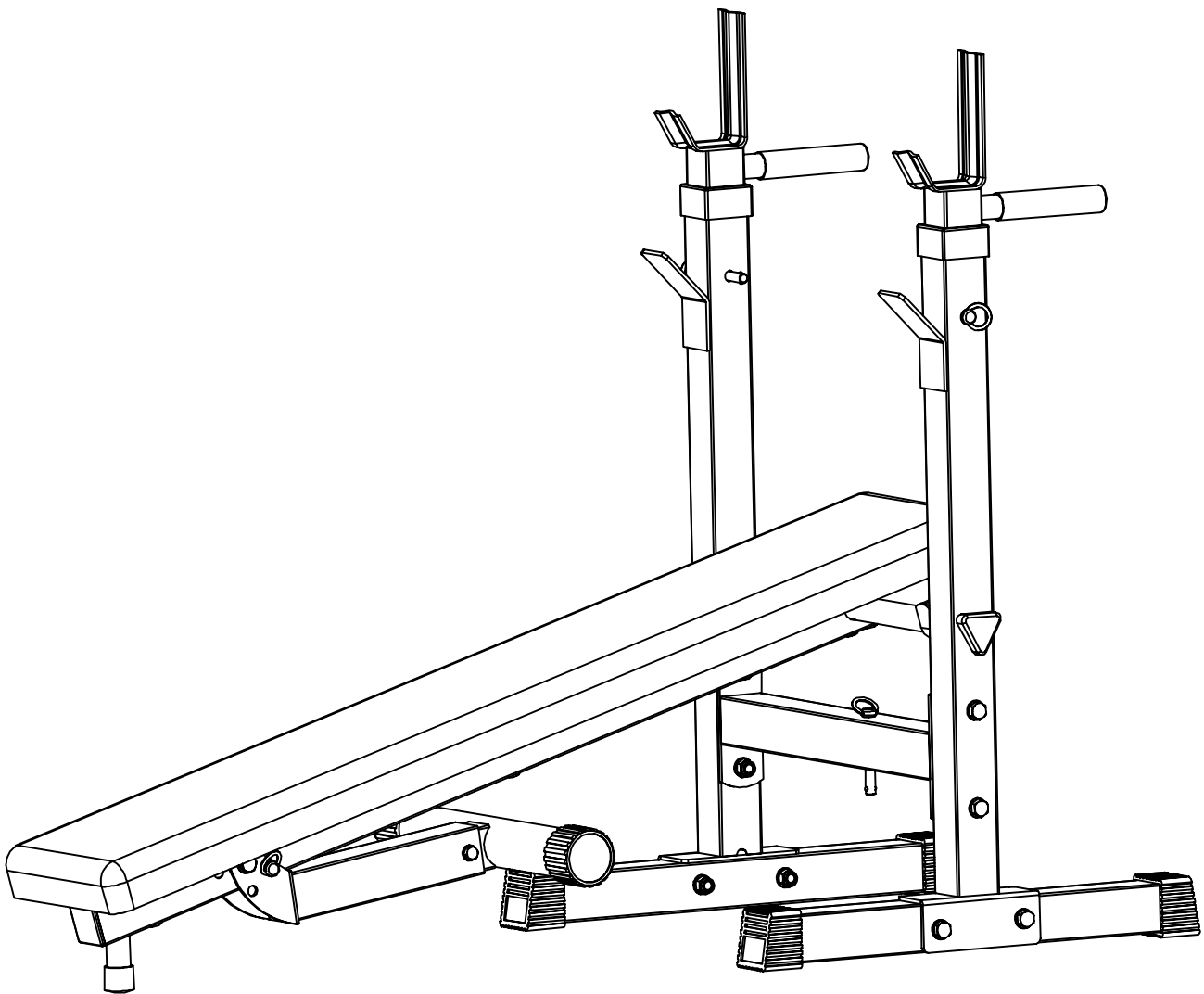

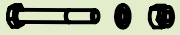





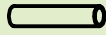


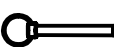
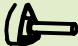



# virtuafit

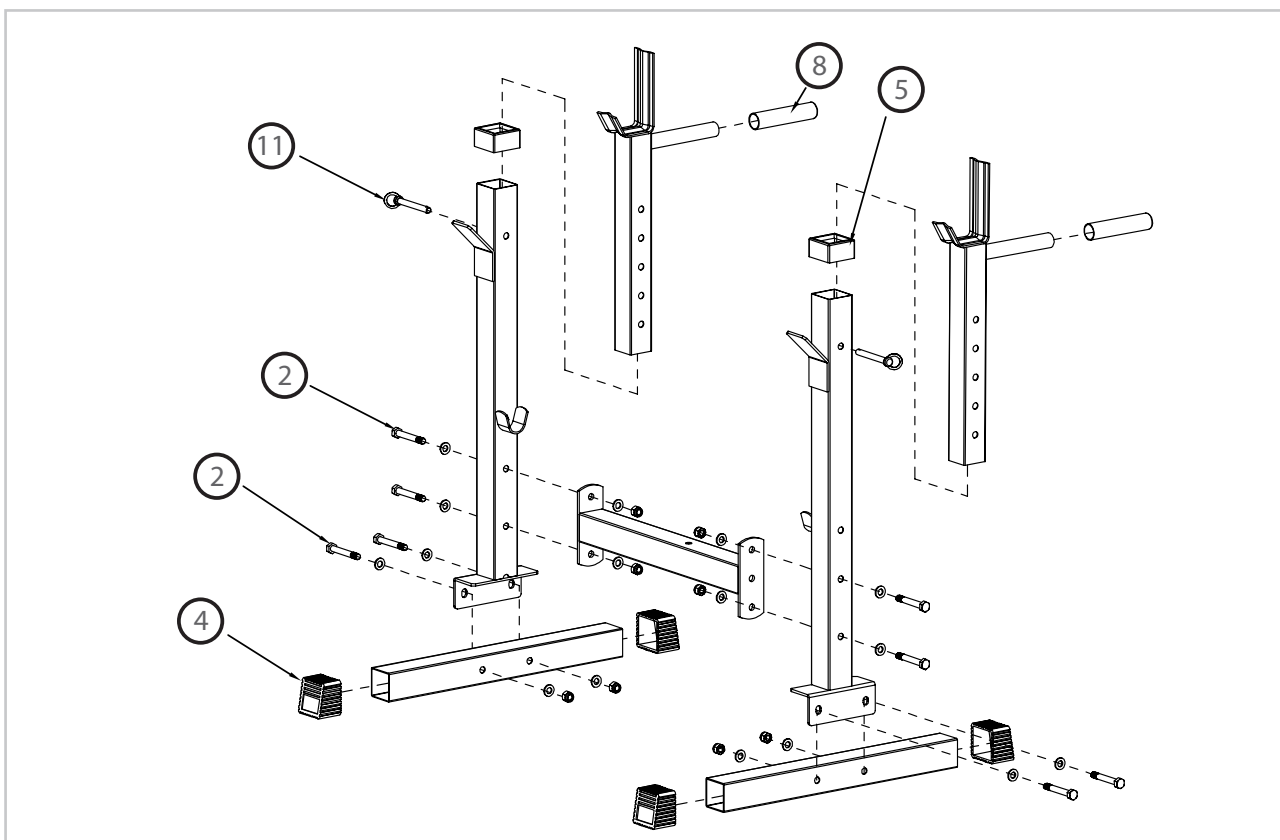
*Adjustable Compact Weight Bench*

## User manual

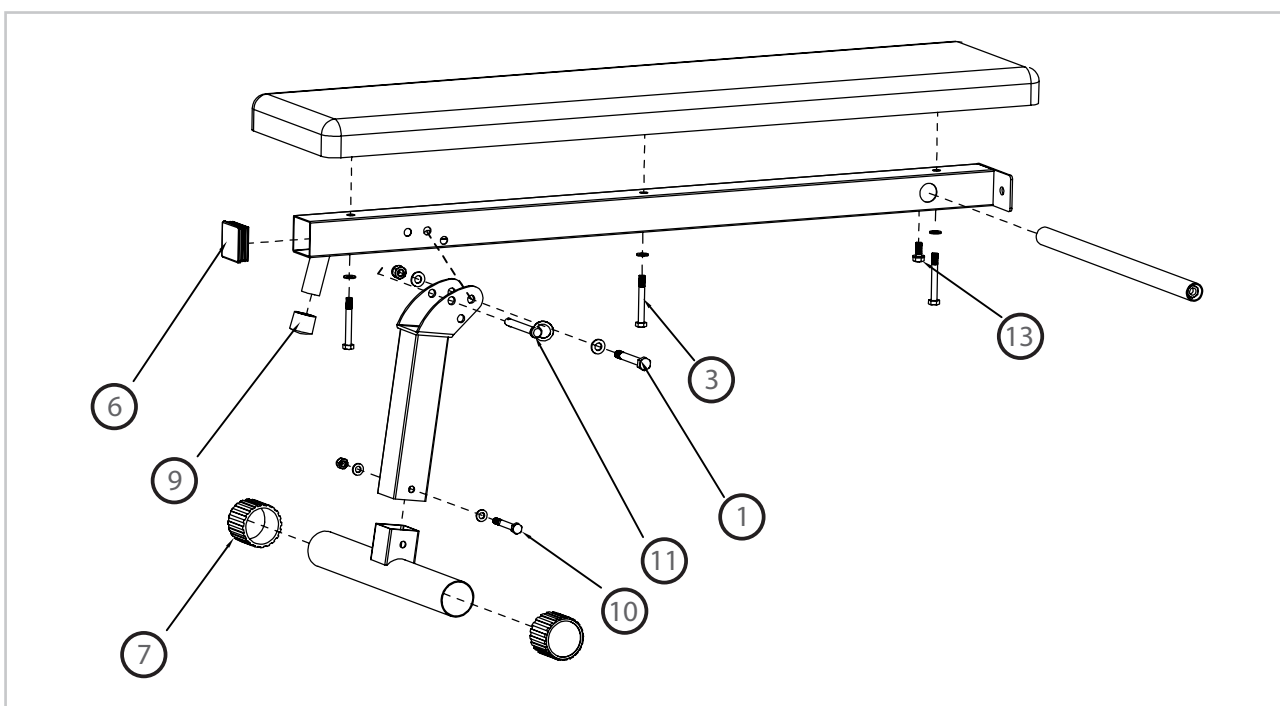


NUMBER	DESCRIPTION	IMAGE	QTY
1	M10 X 75 Bolt, Nut, Washer		1
2	M10 X 70 Bolt, Nut, Washer		8
3	M8 X 65 Bolt, Washer		3
4	Ø50 Foot Cover		4
5	Tube Bushing		2
6	Ø50 Tube Plug		1
7	Ø50 Foot Cover		2
8	Grip Handle		2
9	Ø25 Rubber Cover		1
10	M8 X 60 Bolt, Nut, Washer		1
11	Bolt Bar		4
12	Triangle Handle		2
13	M8 X 25 Bolt, Washer		1

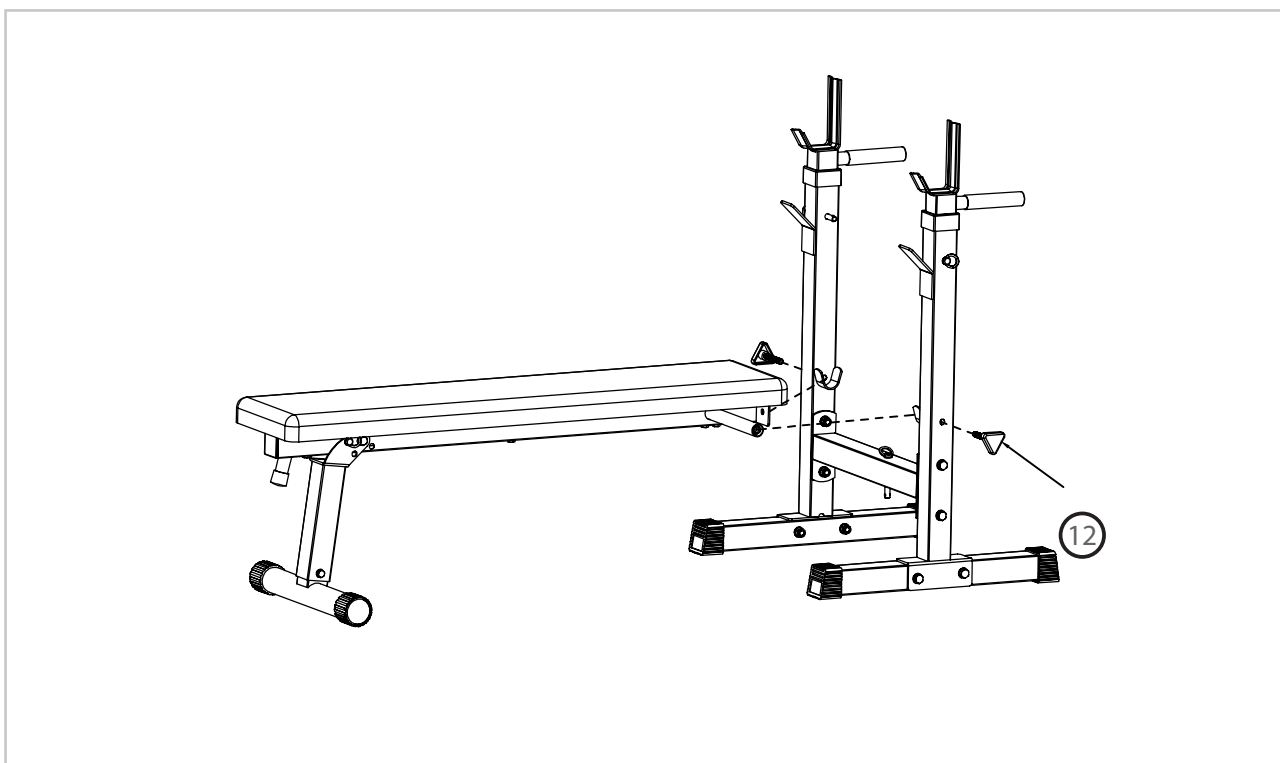
## STEP 1



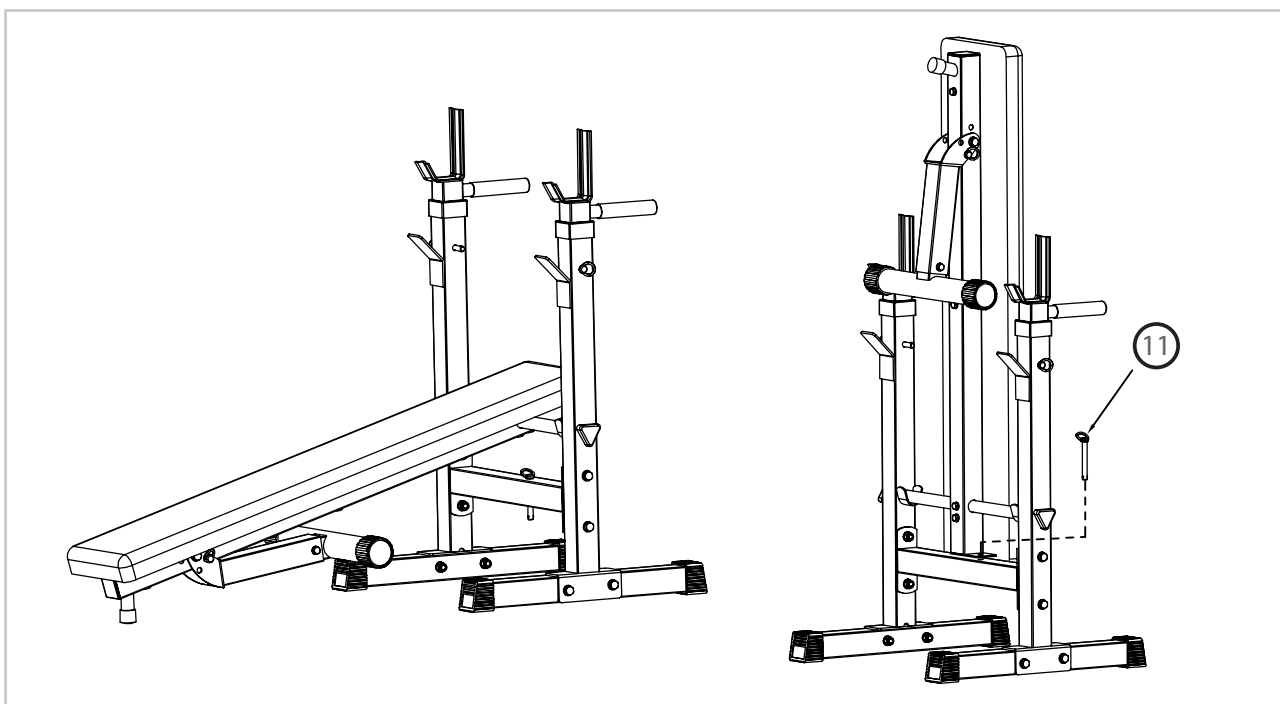
## STEP 2



## STEP 3



## STEP 4



**virtu profit**

*For questions or missing parts please contact your dealer.*