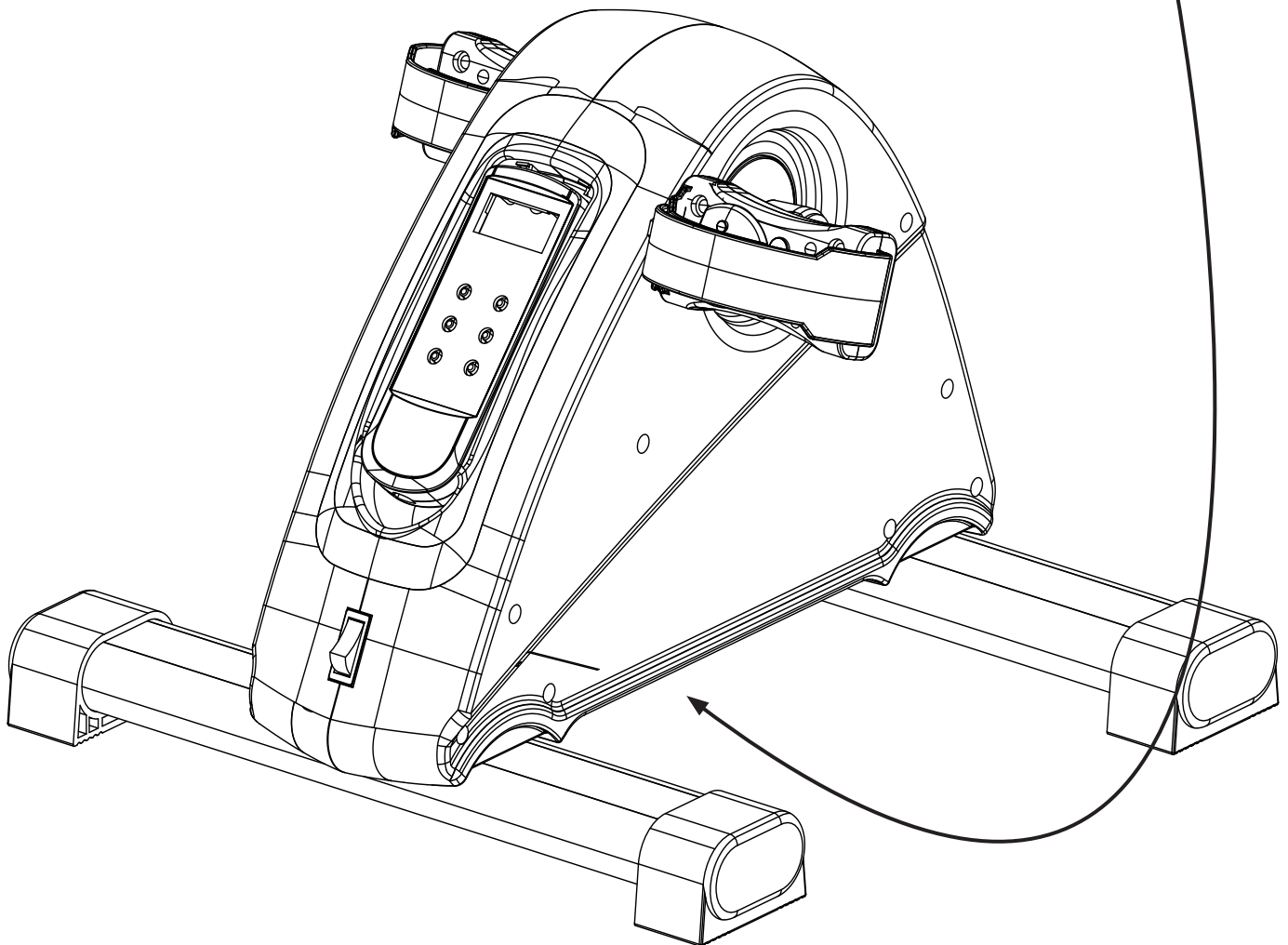
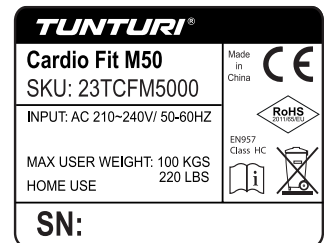


CARDIO FIT M50 MINIBIKE MOTORIZED

GB	User manual	09 - 13
DE	Benutzerhandbuch	14 - 19
FR	Manuel de l'utilisateur	20 - 25
NL	Gebruikershandleiding	26 - 31
IT	Manuale d'uso	32 - 37
ES	Manual del usuario	38 - 42
SV	Bruksanvisning	43 - 47
SU	Käyttöohje	48 - 52

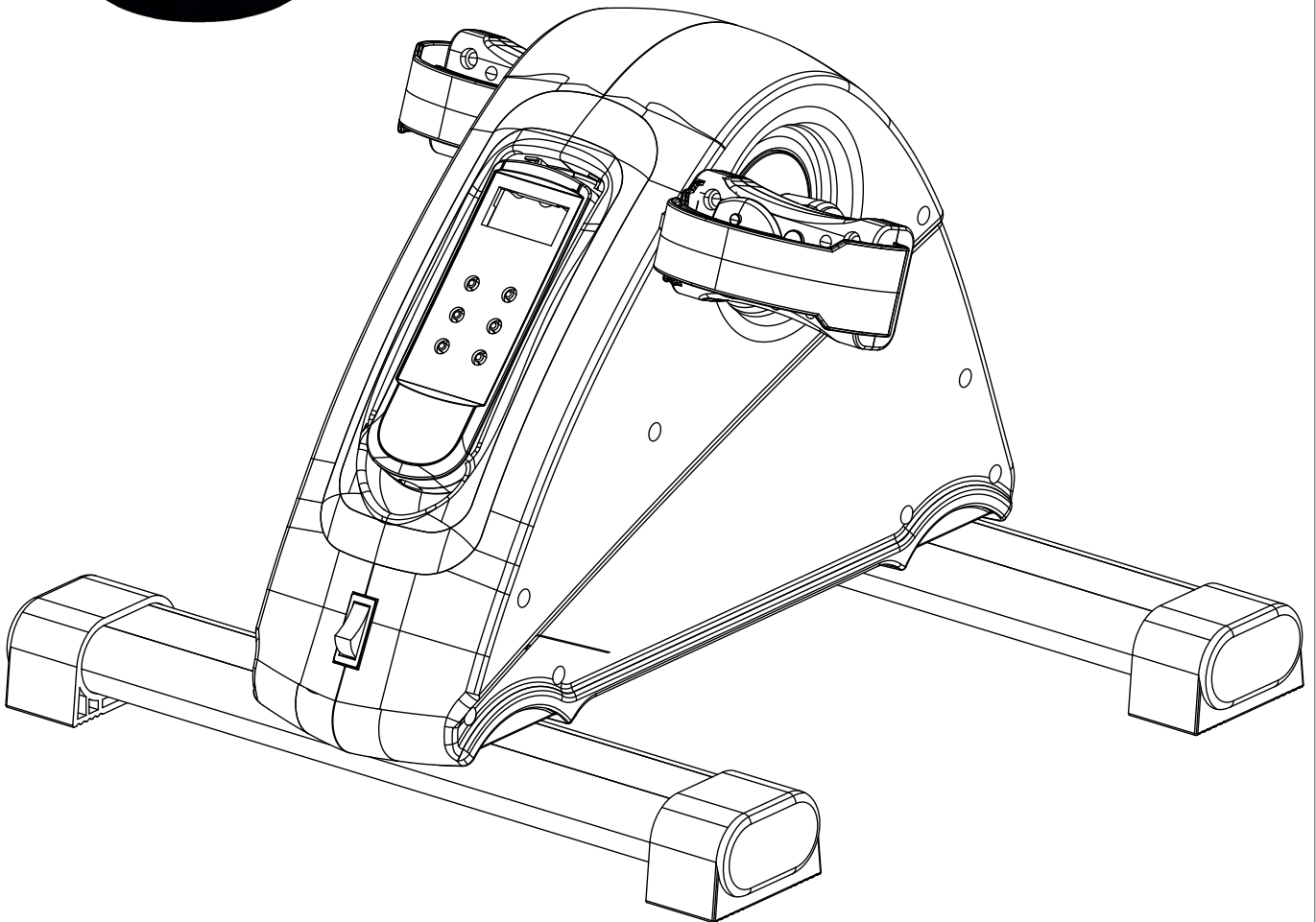
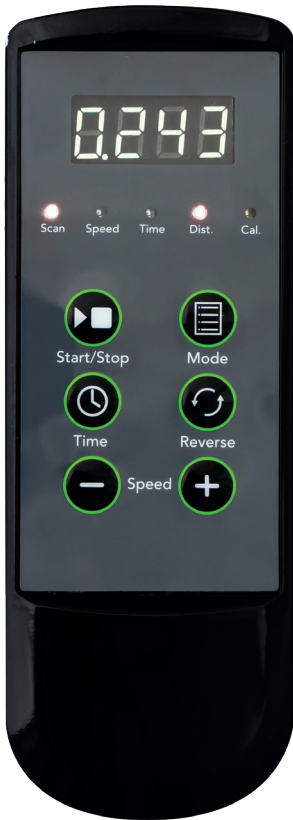


Attention, Achtung, Attention, Attentie, Attenzione, Atención, Giv akt, Huomio

- **Please read this user manual carefully prior to using this product.**
- Lesen Sie sich vor dem Gebrauch des Produkts diese Bedienungsanleitung sorgfältig durch.
- Veuillez lire attentivement le présent manuel de l'utilisateur avant d'utiliser ce produit.
- Lees deze gebruikershandleiding zorgvuldig voordat u dit product gaat gebruiken.
- Leggere attentamente questo manuale dell'utente prima di utilizzare il prodotto.
- Antes de utilizar este producto, lea atentamente este manual de usuario.
- Läs den här användarhandboken noggrant före användning av den här produkten.
- Lue tämä käyttöohje huolellisesti ennen tämän tuotteen käyttöä.



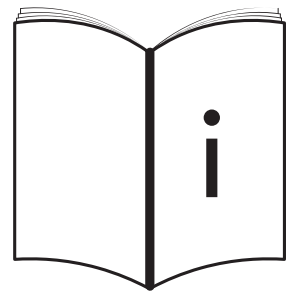
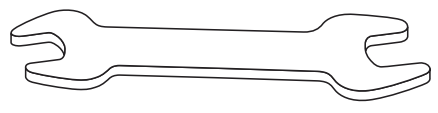
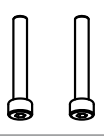
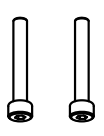
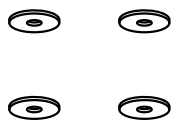
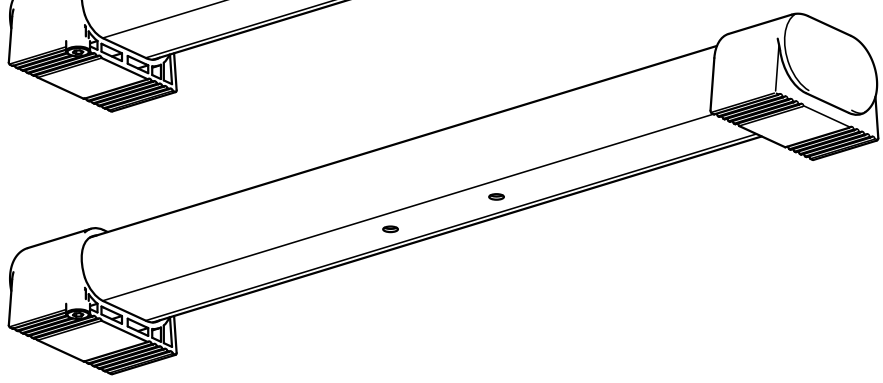
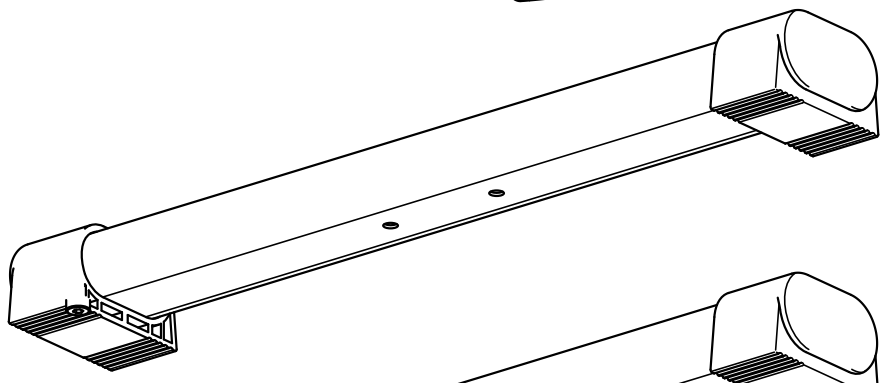
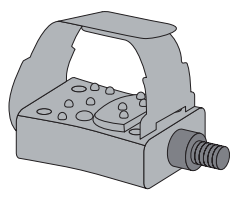
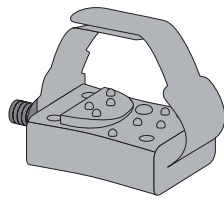
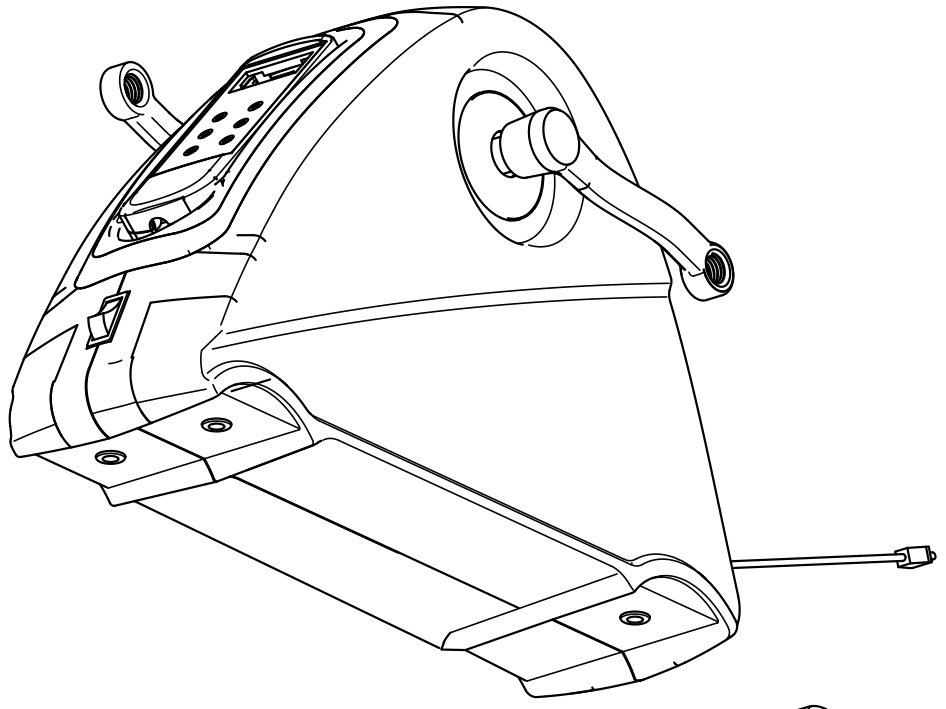
A



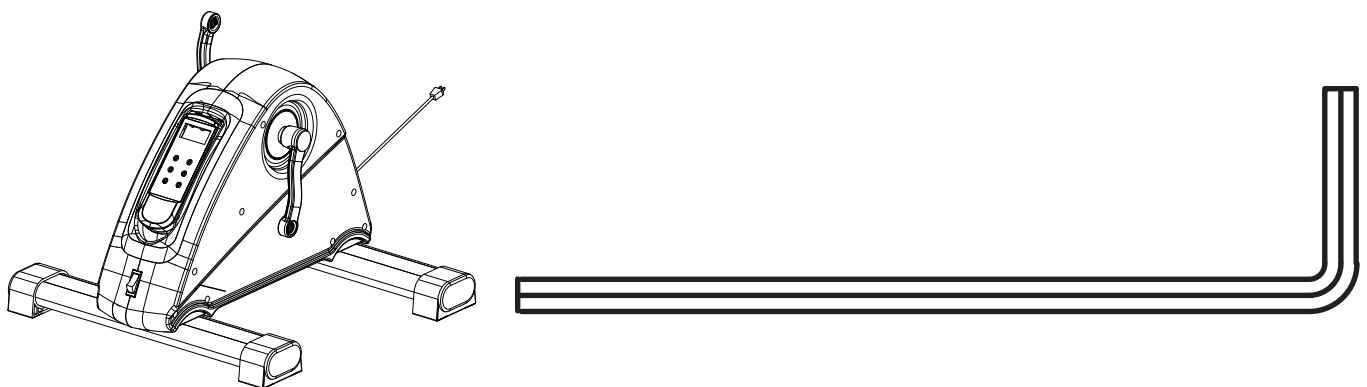
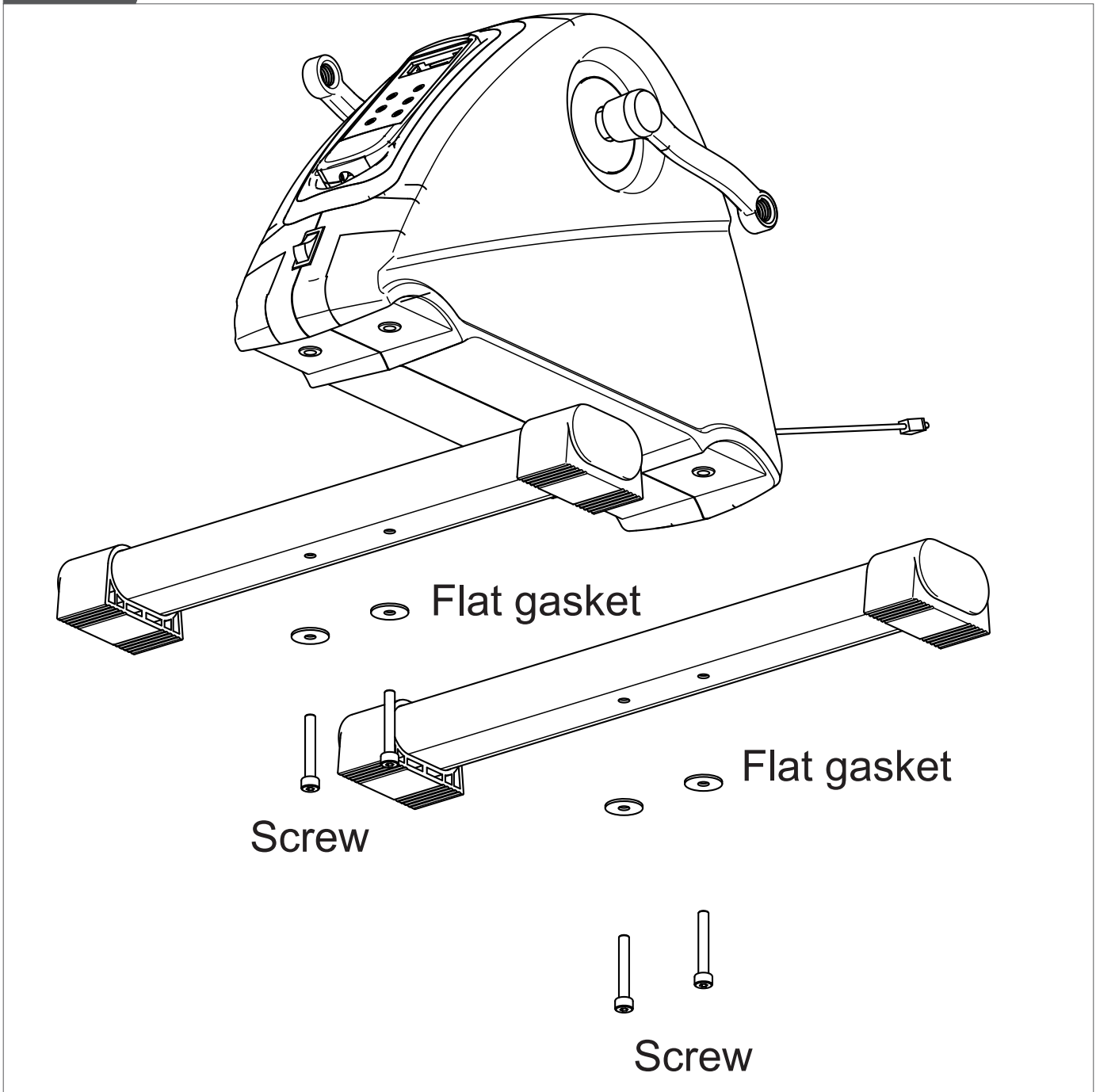


M50 Minibike motorized

B



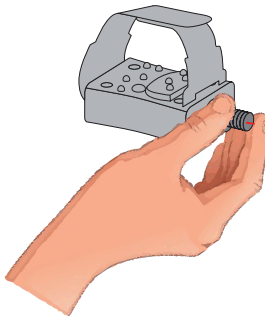
D-1



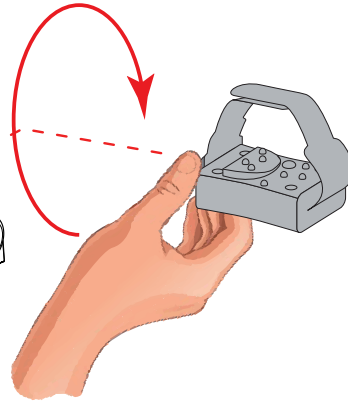
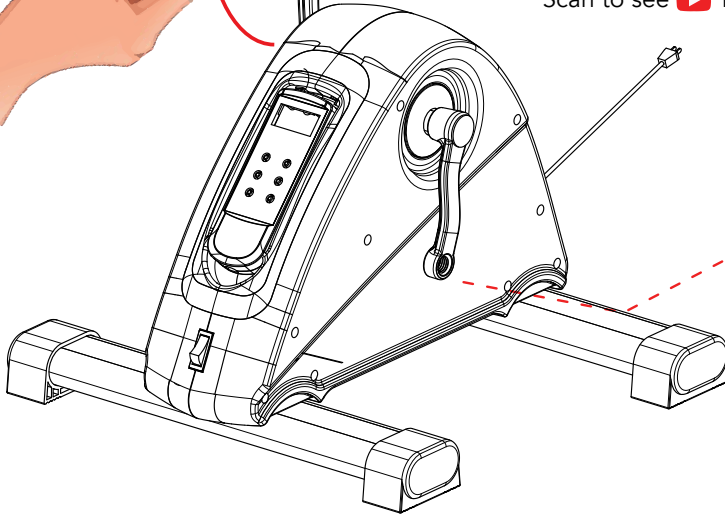


M50 Minibike motorized

D-2A

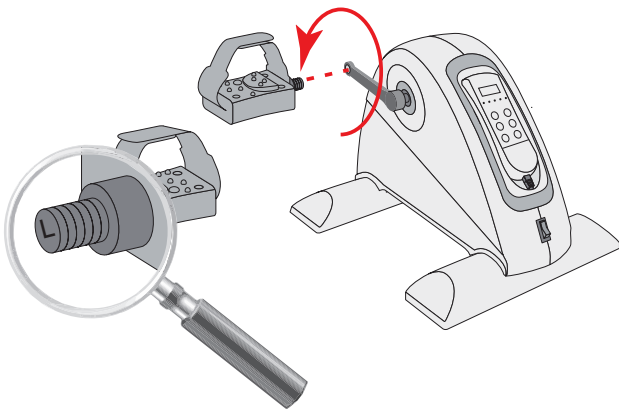


Scan to see YouTube tutorial



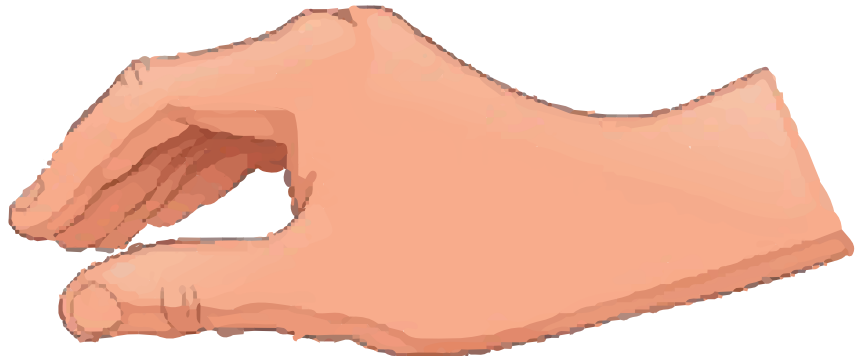
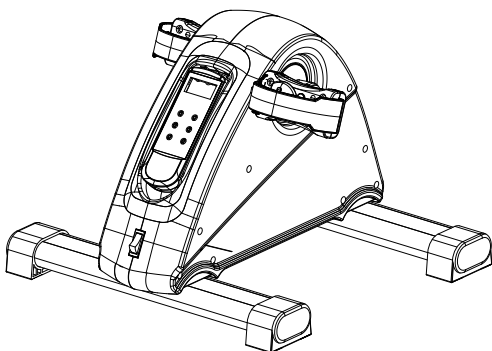
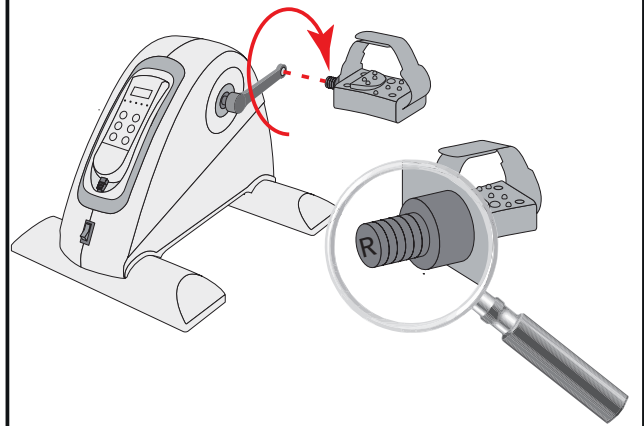
L

Left hand crank
Make sure to use Left hand pedal

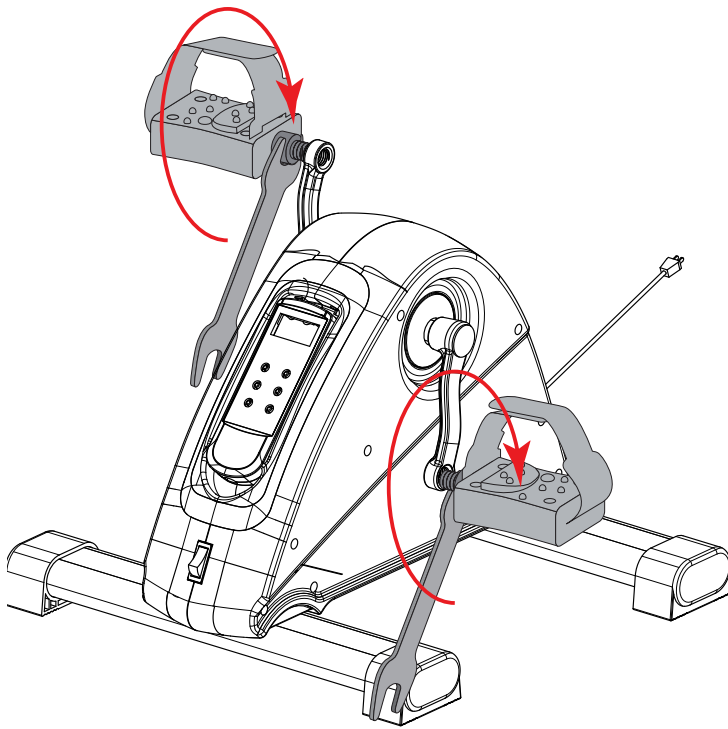


R

Right hand crank
Make sure to use Right hand pedal



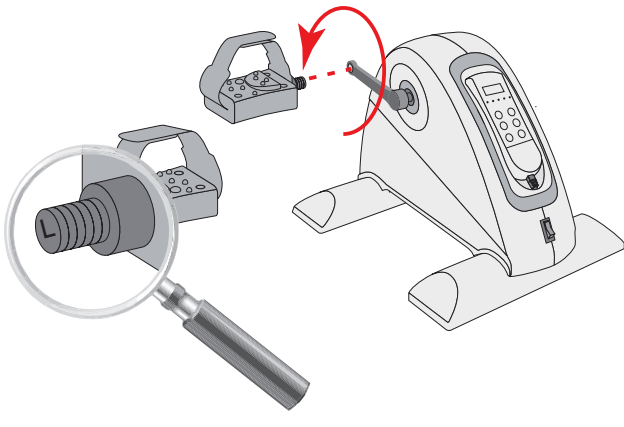
D-2B



Scan to see  YouTube tutorial

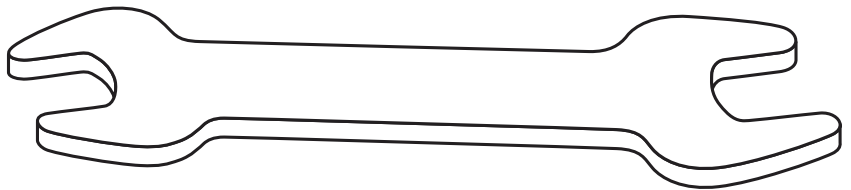
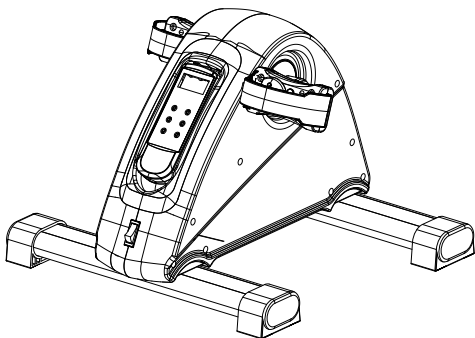
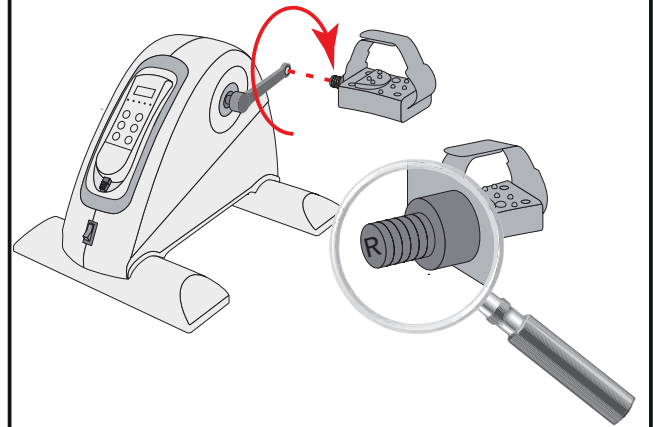
L

Left hand crank
Make sure to use Left hand pedal



R

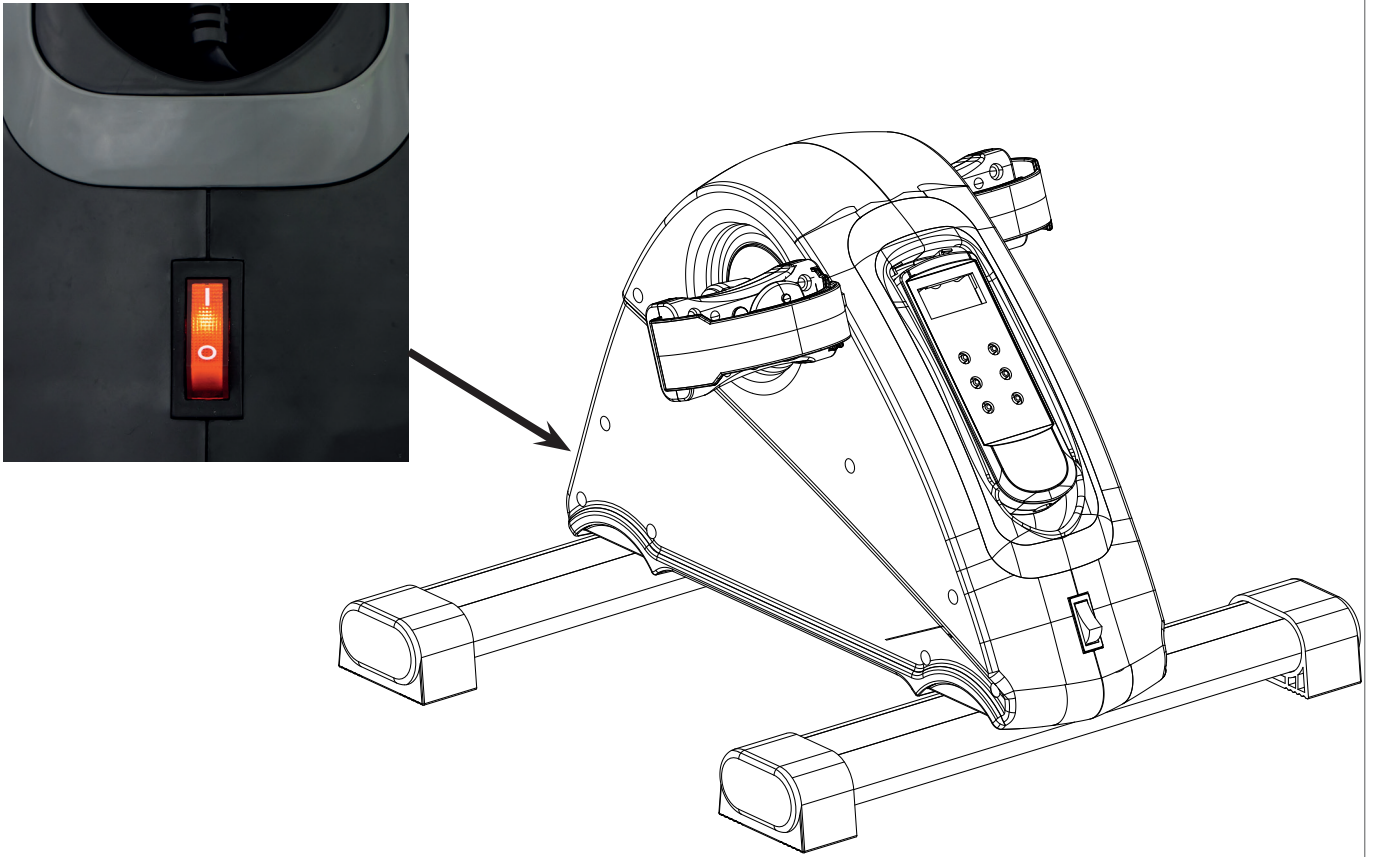
Right hand crank
Make sure to use Right hand pedal





M50 Minibike motorized

E-1



E-2



Index

Welcome	9
Safety warnings	9
Electrical safety	10
Assembly instructions	10
Description illustration A	10
Description illustration B	10
Description illustration D	10
Additional assembly information	10
Additional information	10
Use	10
Take out controller	10
Stow controller	11
Use without motor support	11
Master power switch (fig. E-1)	11
Controller (fig. E-2)	11
Explanation of display items	11
Buttons	11
Programs	12
Manual mode	12
Preset Programs (P1~P5)	12
Cleaning and maintenance	12
Defects and malfunctions	12
Troubleshooting	12
Transport and storage	13
Warranty	13
Technical data	13
Declaration of the manufacturer	13
Disclaimer	13

Welcome

Welcome to the world of Tunturi!

Thank you for purchasing this piece of Tunturi equipment.

Tunturi offers a wide range of home fitness equipment, including crosstrainers, treadmills, exercise bikes, rowers, strength benches and multi stations. The Tunturi equipment is suitable for the entire family, no matter what fitness level. For more information, please visit our website www.tunturi.com

Important Safety Instructions

This manual is an essential part of your training equipment please read all instructions in this manual before you start using this equipment. The following precautions must always be followed:

Safety warnings

WARNING

- Read the safety warnings and the instructions. Failure to follow the safety warnings and the instructions can cause personal injury or damage to the equipment. Keep the safety warnings and the instructions for future reference.

WARNING

- Heart rate monitoring systems may be inaccurate. Over exercise may result in serious injury or death. If you feel faint stop exercising immediately.

- The equipment is suitable for domestic use only. The equipment is not suitable for commercial use.
- Max. usage is limited to 2 hrs a day.
- The use of this equipment by children or persons with a physical, sensory, mental or motorial disability, or lack of experience and knowledge can give cause to hazards. Persons responsible for their safety must give explicit instructions or supervise the use of the equipment.
- Before starting your workout, consult a physician to check your health.
- If you experience nausea, dizziness or other abnormal symptoms, immediately stop your workout and consult a physician.
- To avoid muscular pain and strain, start each workout by warming up and finish each workout by cooling down. Remember to stretch at the end of the workout.
- The equipment is suitable for indoor use only. The equipment is not suitable for outdoor use.
- Only use the equipment in environments with adequate ventilation. Do not use the equipment in draughty environments in order not to catch a cold.
- Only use the equipment in environments with ambient temperatures between 10 °C~35 °C. Only store the equipment in environments with ambient temperatures between 5 °C~45 °C.
- Do not use or store the equipment in humid surroundings. The air humidity must never be more than 80%.
- Only use the equipment for its intended purpose. Do not use the equipment for other purposes than described in the manual.
- Do not use the equipment if any part is damaged or defective. If a part is damaged or defective, contact your dealer.
- Keep your hands, feet and other body parts away from the moving parts.
- Keep your hair away from the moving parts.
- Wear appropriate clothing and shoes.
- Keep clothing, jewellery and other objects away from the moving parts.

- Make sure that only one person uses the equipment at a time.
- The equipment must not be used by persons weighing more than 100 kg (220 lbs).
- Do not open equipment without consulting your dealer.

Electrical safety

- Before use, always check that the mains voltage is the same as the voltage on the rating plate of the equipment.
- Do not use an extension cable.
- Keep the mains cable away from heat, oil and sharp edges.
- Do not alter or modify the mains cable or the mains plug.
- Do not use the equipment if the mains cable or the mains plug is damaged or defective. If the mains cable or the mains plug is damaged or defective, contact your dealer.
- Always fully unwind the mains cable.
- Do not run the mains cable underneath the equipment. Do not run the mains cable underneath a carpet. Do not place any objects on the mains cable.
- Make sure that the mains cable does not hang over the edge of a table.
- Make sure that the mains cable cannot be caught accidentally or tripped over.
- Do not leave the equipment unattended when the mains plug is inserted into the wall socket.
- Do not pull the mains cable to remove the mains plug from the wall socket.
- Remove the mains plug from the wall socket when the equipment is not in use, before assembly or disassembly and before cleaning and maintenance.

⚠ WARNING

- Never use water or any other liquid directly on or near the equipment, but only via a damp cloth if moist is required to clean the machine.
- Using liquid directly is harmful for the equipment's components, and may result in an electric shock caused by a short cut circuit. This could result in serious personal injury or even death.

Assembly instructions

Description illustration A

The illustration shows what the trainer will look like after the assembly is completed.

You can use this as a reference during your assembly, but do follow the assembly steps always in the correct sequence as showed in the illustrations.

Description illustration B

The illustration shows what components and parts you should find when un-boxing your product.

⚠ NOTE

- Small parts can be hidden/ packed in hollow spaces in the Styrofoam product protection
- If a part is missing, contact your dealer.

Description illustration D

The illustrations shows you in the correct following order how to assembly your trainer best.

-

⚠ WARNING

- Assemble the equipment in the given order.
- Carry and move the equipment with at least two persons.

⚠ CAUTION

- Place the equipment on a firm, level surface.
- Place the equipment on a protective base to prevent damage to the floor surface.
- Allow at least 100 cm of clearance around the equipment.
- Refer to the illustrations for the correct assembly of the equipment.

Additional assembly information

D2 How to fit the pedals correctly.

⚠ NOTE

- Right and left side are determined from an exercising positions perspective.

Right hand pedal

Find the "R" or "L" mark on the pedal axle

- Fit the right hand pedal "R" into the right hand crank.
- Firstly turn the pedal axle in clockwise direction by hand.
- Use the wrench to fully tighten the pedal.

Left hand pedal

- Fit the left hand pedal "L" into the left hand crank.
- Firstly turn the pedal axle in counter-clockwise direction by hand.
- Use the wrench to fully tighten the pedal.



Click to see our supportive YouTube video
<https://youtu.be/Devel2ZhCAC>

⚠ NOTE

- Save the tools provided with this product, after you completed the product assembly, for future service purposes.

Additional information

Packaging disposal

Government guidelines ask that we reduce the amount of waste material disposed of in land fill sites. We therefore ask that you dispose of all packaging waste responsibly at public recycling centres.

End of life disposal

We at Tunturi hope you enjoy many years of enjoyable use from your fitness trainer. However, a Time will come when your fitness trainer will come to the end of its useful life. Under 'European WEEE Legislation you are responsible for the appropriate disposal of your fitness trainer to a recognised public collection facility.

Use

Take out controller

The equipment controller can be taken from the stowage and held in your hands during workout to make workout changes during workout for your convenience.

- Lift out with your finger tip at the bottom of the controller.
- Gently pull out the controller staying connected with a curled telephone wire with the equipment. (± 1.2 mtr cable length).
- Controller can be held in hands and used for workout adjustments during workout.

WARNING

- Avoid the curled telephone wire being caught by the moving parts of the equipment during workout.

Stow controller

After you finished your workout it is recommended to stow the controller again

- Bring the controller back towards the stowage of the equipment, orientated wired end of the controller first, in a smooth movement.
- Wire will rewind again and will be pulled back into the stowage, some guidance might be needed.
- Click the controller back in place to ensure it stays in place.

WARNING

- The controller should fit into the stowage easily without too much effort. If too much effort is required, check if the curled telephone wire is stowed correctly and is not preventing the controller from fitting into the stowage.

Use without motor support

The equipment can be used without danger for internal damages freely. It requires the power main switch being in off mode, means there is no speed display and no movement support. The natural resistance of the moving parts inside the machine cannot be changed nor set to other level

Master power switch (fig. E-1)

The equipment is equipped with a master power switch to shut down the equipment completely.

To start the equipment:

- Insert the mains plug into the wall socket.
- Set the master power switch to the on position.

To stop the equipment:

- Set the mains power switch to the off position.
- Remove the mains plug from the wall socket.

Controller (fig. E-2)

CAUTION

- Keep the controller away from direct sunlight.
- Dry the surface of the controller when it is covered with drops of sweat.
- Do not lean on the controller.
- Only touch the buttons of the controller with the tip of your finger. Make sure that your nails or sharp objects do not touch the display.

NOTE

- The console will not switch in standby mode but remains in on mode.
- Please switch the machine in "Off" mode when not being in use.

Explanation of display items

Scan

- Automatically scan parameter displays for : Speed, Time, Dist. & Cal.
- Each display will be hold 4 seconds.
- Scan LED will light up, when scan function is active.

Speed

- Shows the speed in setting level 1~12.
- Speed LED will light up, when speed parameter is shown.

Time

- Shows the ran time in workout mode.
- Shows the target time when being in programming mode.
Display parameter units: 00:00 Minutes.:Seconds
- Time LED will light up, when Time parameter is shown.

Dist. (Distance)

- Shows the remaining workout time in countdown mode.
Display parameter units: 0.000 KM.Meters.
- Dist. LED will light up, when Distance parameter is shown.

Cal. (Calories)

- Shows the consumed calories in workout mode.
Display parameter units: 000.0 Calories.
- Cal. LED will light up, when Calorie parameter is shown.

NOTE

- This data is a rough guide for comparison of different exercise sessions which cannot be used in medical treatment

Buttons

Start/ Stop

- Start the selected workout in stop mode.
- Stop active workout when being in workout mode.

Mode

- Select program mode in idle mode.
- Confirm setting to enter next step in programming mode.
- Switch display modes when being in workout mode.

Time

- Set time for workout (1 ~ 15 min. ± 1 minute)
- Press once to increase one minute, press and hold to speed up the input

NOTE

- In programming mode, the time can only count up with one minute each button press. When reaching 15 minutes, the setting will start at 1 minute again to repeat the up counting cycle again.

Reverse

- Set pedal rotation direction in backwards movement when being in forward setting.
- Set pedal rotation direction in forward movement when being in backward setting.
- Pressing "Reverse" button in operational mode will bring the equipment to a smooth stop, keep stop for about 2 seconds, before motor can the reverse mode can be activated.

NOTE

- When equipment is in direction reverse mode, all buttons are not operational, until machine is set into motion again.

Speed +/- Speed -

- Press "Speed +" to increase speed for desired motorspeed support level mode.
- Press "Speed -" to decrease speed for the desired motor speed support level mode.
- Press once to increase/ decrease one level, press and hold to speed up the input
- Below the table showing each level representing the commencing RPM (Rotations per Minute)

Speed	1	2	3	4	5	6	7	8	9	10	11	12
RPM	35	39	43	48	52	56	60	64	68	73	77	80

Programs

Manual mode

The equipment has a manual mode, where the user is free to select and adjust the speed level at all times. To select this mode:

- Press "Mode" button to open programming mode, display will show P1.
- Press "Mode" button until "----" is shown, as being manual mode.
- Press "Start/ Stop" button to start your workout.
- Press "Speed +/-" buttons to set your desired speed support mode. Default speed setting is 1.
- Press "Time" button to set your desired workout time within range of 1~15 minutes. Default workout time setting is 10 minutes.
- Press "Start/ Stop" button to start your workout.
- Press "Speed +/-" button as you desire to set your support speed to your desired speed at all times.
- Press "Reverse" button as you desire to set your support motion direction at all times.
- When reached your pre set workout time, the machine will come to a smooth stop.

Preset Programs (P1~P5)

The equipment has 5 pre-set programs with different profiles. Each profile has a pre set profile in speed and direction variations.

- Below the table showing each pre programmed profile. Each segment will last for 30 seconds and keeps cycling till workout time has reached the end and machine stops smoothly.

	Direction	↻	↻	↻	↻	↻	↻	↻	↻	↻	↻
P1	Speed	1	2	3	4	5	1	2	3	4	5
P2	Speed	2	3	4	5	6	2	3	4	5	6
P3	Speed	3	5	7	9	11	3	5	7	9	11
P4	Speed	4	6	8	10	12	4	6	8	10	12
P5	Speed	5	10	5	10	--	5	10	5	10	-

To select your preferred profile:

- Press "Mode" button to open programming mode, display will show P1.
- Press "Mode" button until desired profile mode is shown.
- Press "Start/ Stop" button to start your workout.
- Press "Time" button to set your desired workout time within range of 1~15 minutes. Default workout time setting is 10 minutes.
- Press "Level +/-" button as you desire to set your support speed to your desired speed at all times.
- Press "Reverse" button as you desire to set your support motion direction at all times.

NOTE

- When changing the speed, or running direction when being in a pre programmed profile it will only apply the change for the active segment you are in, and will maintain following the pre set profile when shift to next profile segment.
- When reached your pre set workout time, the machine will come to a smooth stop.

Cleaning and maintenance

The equipment does not require special maintenance. The equipment does not require recalibration when it is assembled, used and serviced according to the instructions.

WARNING

- Before cleaning and maintenance, remove the mains plug from the wall socket.
- Do not use solvents to clean the equipment.
- Clean the equipment with a soft, absorbent cloth after each use.
- Regularly check that all screws and nuts are tight.

Defects and malfunctions

Despite continuous quality control, defects and malfunctions caused by individual parts can occur in the equipment. In most cases, it will be sufficient to replace the defective part.

- If the equipment does not function properly, immediately contact the dealer.
- Provide the model number and the serial number of the equipment to the dealer. State the nature of the problem, conditions of use and purchase date.

Troubleshooting

Despite continuous quality control, defects and malfunctions caused by individual components may occur in the equipment. In most cases it's unnecessary to take the whole device in for repair, as it's usually sufficient to replace the defective part.

If the equipment does not function properly during use, contact your Tunturi dealer immediately. Always give the model and serial number of your equipment. Please state also the nature of the problem, conditions of use and purchase date.

If you require spare parts, always give the model, serial number of your equipment and the spare part number for the part you need. The spare part list is at the back of this manual. Use only spare parts mentioned in the spare part list.

Error codes

If the display shows an error code (marked with "E" + number), restart the equipment and check whether the display still shows the error code. If the display still shows the error code, immediately contact the dealer.

Transport and storage

WARNING

- Carry and move the equipment with care.
- Move the equipment and carefully put the equipment down.
- Place the equipment on a protective base to prevent damage to the floor surface.
- Move and lift the equipment carefully over uneven surfaces.
- Do not move the equipment by grabbing the pedals, but use the assigned handle on top of the housing.
- Store the equipment in a dry place with as little temperature variation as possible.

Warranty

Tunturi purchaser's warranty

Warranty terms

The consumer is entitled to the applicable legal rights stated in the national legislation concerning the commerce of consumer goods. This warranty does not restrict these rights. The Purchaser's Warranty is only valid if the item is used in an environment approved by Tunturi New Fitness BV, and is maintained as instructed for that particular equipment. The product-specific approved environment and maintenance instructions are stated in the "user manual" of the product. The "user manual" can be downloaded from our website. <http://manuals.tunturi.com>

Warranty conditions

The warranty conditions commence from the date of purchase. Warranty conditions may vary per country, so please consult your local dealer for the warranty conditions.

Warranty coverage

Under no circumstances shall Tunturi New Fitness BV or the Tunturi Distributor be liable by virtue of this warranty or otherwise for any special, indirect, secondary or consequential damages of any nature arising out of any use or inability to use this equipment.

Warranty limitations

This warranty covers manufacturing defects in the fitness equipment as originally packed by Tunturi New Fitness BV. The warranty shall apply only under conditions of normal, recommended use of the product as described in the Owner's Manual and providing that Tunturi New Fitness BV's instructions for installation, maintenance and use have been complied with. Neither Tunturi New Fitness BV's nor the Tunturi Distributors' obligations apply to defects due to reasons beyond their control. The warranty applies only to the original purchaser and is valid only in countries where Tunturi New Fitness BV has an authorised importer. The warranty does not extend to fitness equipment or components that have been modified without the consent of Tunturi New Fitness BV. Defects resulting from normal wear, misuse, abuse, corrosion, or damage incurred during loading or transportation are not covered.

The warranty does not cover sounds or noises emitted during use where these do not substantially impede the use of the equipment and where they are not caused by a fault in the equipment.

The warranty does not cover defects arising from the failure to carry periodic maintenance as outlined within the Owner's Manual for the product. Furthermore, the warranty does not cover defects arising from usage and storage within an unsuitable environment as described within the Owner's Manual which should be indoors, dry, dust and grit free and within a temperature range of +15°C to +35°C. The warranty does not cover maintenance activities, such as cleaning, lubricating, and normal part adjustments, nor installation

procedures that customers can accomplish themselves, such as changing uncomplicated meters, pedals and other similar parts not requiring any dismantling/reassembling of the fitness equipment. Warranty repairs carried out by other than authorised Tunturi representatives are not covered. Failure to follow the instructions given in the Owner's Manual will invalidate the product's warranty.

Technical data

Parameter	Unit of measurement	Value
Mains voltage	VAC	210 ~ 240
Mains frequency	HZ	50 ~ 60
Speed	Levels	1 ~ 15
Length	Cm	42.0
Width	Cm	40.0
Height	Cm	29.0
Weight	Kg	4.5
Heart rate measurement available via:	hand-grip contact	No
	5.3~ 5.4 KHz.	No
	Bluetooth (BLE)	No
	ANT+	No

Declaration of the manufacturer

Tunturi New Fitness BV declares that the product is in conformity with the following standards and directives: EN 957 (HC), 2014/30/EU . The product therefore carries the CE label.

08-2021

Tunturi New Fitness BV
Purmerweg 1
1311 XE Almere
The Netherlands

Disclaimer

© 2021 Tunturi New Fitness BV
All rights reserved.

- The product and the manual are subject to change.
- Specifications can be changed without further notice.
- Check our website for the latest user manual version.



Deutsch

Diese deutsche Bedienungsanleitung ist eine Übersetzung des englischen Textes. Es können keine Rechte auf diese Übersetzung abgeleitet werden.

Index

Willkommen	14
Warnhinweise zur Sicherheit	14
Elektrische Sicherheit	15
Montageanleitungen	15
Beschreibung Abbildung A.....	15
Beschreibung Abbildung B	15
Beschreibung Abbildung D.....	15
Zusätzliche Montagehinweise	15
Zusätzliche Informationen	15
Gebrauch	16
Controller herausnehmen.....	16
Controller verstauen.....	16
Einsatz ohne Motorunterstützung	16
Hauptschalter (Abb. E-1)	16
Controller (Abb. E-2)	16
Erklärung der Anzeigeelemente.....	16
Schaltflächen	16
Programme	17
Manueller Modus	17
Voreingestellte Programme (P1~P5)	17
Reinigung und Wartung	17
Störungen und Fehlfunktionen.....	18
Betriebs- störungen	18
Transport und Lagerung	18
Garantie	18
Technische Daten	19
Herstellereklärung	19
Haftungsausschluss	19

Willkommen

Willkommen in der Welt von Tunturi!

Danke, dass Sie dieses Gerät von Tunturi erworben haben. Tunturi bietet eine breite Palette an Heim-Fitnessgeräten wie beispielsweise Crosstrainer, Laufbänder, Trainingsfahrräder, Rudergeräte, Kraftbänke und Multi-Stationen an. Die Tunturi Geräte sind für die ganze Familie geeignet - ganz egal, wie fit man ist. Weitere Informationen finden Sie auf unserer Website unter www.tunturi.com

Wichtige sicherheitshinweise

Diese Anleitung ist ein unerlässlicher Teil Ihres Trainingsgeräts: Lesen Sie alle Anweisungen in diesem Handbuch durch, bevor Sie dieses Gerät verwenden. Die folgenden Vorsichtsmaßnahmen müssen immer befolgt werden.

Warnhinweise zur Sicherheit

⚠️ WARNUNG

- Lesen Sie die Warnhinweise zur Sicherheit und die Anweisungen. Werden die Warnhinweise zur Sicherheit und die Anweisungen nicht befolgt, kann dies zu Personenverletzungen und Schäden am Gerät führen. Bewahren Sie die Warnhinweise zur Sicherheit und die Anweisungen zur künftigen Bezugnahme auf.

⚠️ WARNUNG

- Herzfrequenz-Überwachungssysteme können ungenau sein.
- Eine Überanstrengung kann zu schweren Schädigungen oder zum Tod führen. Wenn Sie sich schwach oder ohnmächtig fühlen, stellen Sie die Übungen unverzüglich ein.

- Das Gerät ist nur für den Hausgebrauch geeignet. Das Gerät ist nicht für den gewerblichen Gebrauch geeignet.
- Die maximale Verwendung ist auf 2 Stunden pro Tag beschränkt
- Wenn dieses Gerät von Kindern oder Personen mit körperlicher, sensorischer, geistiger oder motorischer Behinderung verwendet wird, oder wenn nicht genügend Erfahrung und Kenntnisse vorhanden sind, kann dies zu Gefahrensituationen führen. Personen, die für deren Sicherheit verantwortlich sind, müssen klare Anweisungen geben oder den Gebrauch des Geräts beaufsichtigen.
- Bevor Sie Ihr Training starten, nehmen Sie Kontakt mit einem Arzt auf, um Ihre Gesundheit kontrollieren zu lassen.
- Falls Sie Übelkeit, ein Schwindelgefühl oder andere anormale Symptome verspüren, hören Sie unverzüglich mit Ihrem Training auf und wenden Sie sich an einen Arzt.
- Um einen Muskelkater zu vermeiden, starten Sie jedes Training mit Aufwärmen und beenden Sie es mit Abkühlen. Denken Sie daran, sich am Ende des Trainings zu dehnen.
- Das Gerät ist nur für den Gebrauch in geschlossenen Räumen geeignet. Das Gerät ist nicht für den Gebrauch im Freien geeignet.
- Verwenden Sie das Gerät nur in Umgebungen mit ausreichender Belüftung. Verwenden Sie das Gerät nicht in zugiger Umgebung, damit Sie sich nicht erkälten.
- Verwenden Sie das Gerät nur in Umgebungen mit Umgebungstemperaturen zwischen 10 °C~35 °C. Lagern Sie das Gerät nur in Umgebungen mit einer Umgebungstemperatur zwischen 5 °C~45 °C.
- Verwenden und lagern Sie das Gerät nicht in feuchten Umgebungen. Die Luftfeuchtigkeit darf niemals 80% überschreiten.
- Verwenden Sie das Gerät nur bestimmungsgemäß. Verwenden Sie das Gerät nicht für einen anderen als für den in diesem Handbuch beschriebenen Zweck.
- Verwenden Sie das Gerät nicht, falls Teile beschädigt oder defekt sind. Ist ein Teil beschädigt oder defekt, wenden Sie sich an Ihren Händler.
- Halten Sie Ihre Hände, Füße und andere Körperteile von den beweglichen Teilen fern.
- Halten Sie Ihr Haar von den beweglichen Teilen fern.
- Tragen Sie entsprechende Kleidung und Schuhe.
- Halten Sie Kleidung, Schmuck und andere Gegenstände von den beweglichen Teilen fern.
- Vergewissern Sie sich, dass das Gerät nur von einer Person auf einmal verwendet wird.

- Das Gerät darf nicht von Personen verwendet werden, deren Gewicht 100 kg (220 lbs) überschreitet.
- Öffnen Sie das Gerät nicht, ohne vorher mit Ihrem Händler zu sprechen.

Elektrische Sicherheit

- Vergewissern Sie sich vor der Verwendung stets, dass die Netzspannung mit der Spannung auf dem Typenschild des Geräts übereinstimmt.
- Verwenden Sie kein Verlängerungskabel.
- Halten Sie das Netzkabel von Hitze, Öl und scharfen Kanten fern.
- Verändern Sie nichts am Netzkabel oder am Netzstecker.
- Verwenden Sie das Gerät nicht, falls das Netzkabel oder der Netzstecker beschädigt oder defekt ist. Ist das Netzkabel oder der Netzstecker beschädigt oder defekt, wenden Sie sich an Ihren Händler.
- Wickeln Sie das Netzkabel immer vollständig ab.
- Lassen Sie das Netzkabel nicht unter dem Gerät entlanglaufen. Lassen Sie das Netzkabel nicht unter einem Teppich entlanglaufen. Stellen Sie keine Gegenstände auf das Netzkabel.
- Vergewissern Sie sich, dass das Netzkabel nicht über der Kante eines Tisches hängt. Vergewissern Sie sich, dass niemand versehentlich über das Netzkabel stolpert.
- Lassen Sie das Gerät nicht unbeaufsichtigt, wenn der Netzstecker in die Wandsteckdose eingesteckt ist.
- Ziehen Sie nicht am Netzkabel, um den Netzstecker aus der Wandsteckdose zu ziehen.
- Ziehen Sie den Netzstecker aus der Wandsteckdose, wenn das Gerät nicht verwendet wird, bevor es zusammengebaut oder zerlegt wird sowie vor der Reinigung und Wartung.

WARNUNG

- Verwenden Sie niemals Wasser oder eine andere Flüssigkeit direkt auf oder in der Nähe des Geräts, sondern nur ein feuchtes Tuch, wenn das Gerät feucht gereinigt werden muss.
- Die direkte Verwendung von Flüssigkeit ist schädlich für die Komponenten des Geräts und kann zu einem elektrischen Schlag durch einen Kurzschluss führen. Dies kann zu schweren Verletzungen oder sogar zum Tod führen.

Montageanleitungen

Beschreibung Abbildung A

Die Abbildung zeigt, wie das Gerät nach der Montage aussehen wird. Sie können diese bei der Montage als Referenz verwenden, befolgen Sie die Montageschritte aber immer in der richtigen Reihenfolge, wie in den Abbildungen gezeigt.

Beschreibung Abbildung B

Die Abbildung zeigt, welche Komponenten und Teile in der Lieferung enthalten sein sollen.

HINWEIS

- Kleinteile können in Hohlräumen im Styropor-Produktschutz versteckt/verpackt werden
- Fehlt ein Teil, wenden Sie sich an Ihren Händler.

Beschreibung Abbildung D

Die Abbildungen zeigen Ihnen in der richtigen Reihenfolge, wie Sie Ihren Trainer am besten montieren.

WARNUNG

- Bauen Sie das Gerät in der angegebenen Reihenfolge zusammen.
- Tragen und bewegen Sie das Gerät mit mindestens zwei Personen.

VORSICHT

- Stellen Sie das Gerät auf festen, ebenen Boden.
- Stellen Sie das Gerät auf eine schützende Unterlage, um Schäden am Bodenbelag zu vermeiden.
- Sorgen Sie rund um das Gerät für einen Freiraum von mindestens 100 cm.
- Der richtige Zusammenbau des Geräts geht aus den Abbildungen hervor.

Zusätzliche Montagehinweise

D2 Pedale korrekt einsetzen

HINWEIS

- Rechte und linke Seite werden aus der Perspektive der Übungspositionen definiert.

Rechtes Handpedal

Suchen Sie die Markierung "R" oder "L" auf der Pedalachse

- Stecken Sie das rechte Handpedal "R" in die rechte Handkurbel.
- Drehen Sie zunächst die Pedalachse von Hand im Uhrzeigersinn.
- Verwenden Sie den Schraubenschlüssel, um das Pedal vollständig festzuziehen.

Linkes Handpedal

- Stecken Sie das linke Pedal "L" in die linke Handkurbel.
- Drehen Sie zunächst die Pedalachse von Hand gegen den Uhrzeigersinn.
- Verwenden Sie den Schraubenschlüssel, um das Pedal vollständig festzuziehen.



Klicken Sie hier, um unser unterstützendes YouTube-Video zu sehen. <https://youtu.be/Devel2ZhCac>

HINWEIS

- Heben Sie die Werkzeuge für künftige Zwecke auf, die zu diesem Produkt geliefert wurden, wenn Sie die Montage beendet haben.

Zusätzliche Informationen

Verpackungsentsorgung

Staatliche Vorschriften sagen, dass wir die in Deponien entsorgten Abfallmengen verringern sollen. Daher bitten wir Sie, den gesamten Verpackungsabfall an öffentlichen Recyclingstellen abzugeben

Entsorgung am ende der Lebensdauer

Wir bei Tunturi hoffen, dass Sie Ihren Fitnesstrainer viele Jahre mit Freude nutzen werden. Jedoch wird irgendwann die Zeit kommen, wenn die Ende der Nutzungsdauer des Fitnesstrainers erreicht ist. Gemäß den europäischen WEEE-Gesetzen sind Sie für eine geeignete Entsorgung des Fitnesstrainers bei einer anerkannten öffentlichen Entsorgungsstelle verantwortlich.

Gebrauch

Controller herausnehmen

Der Controller kann aus dem Staufach entnommen und während des Trainings in der Hand gehalten werden, um Trainingsänderungen während des Trainings vorzunehmen.

- Heben Sie das Gerät mit der Fingerspitze an der Unterseite des Controllers heraus.
- Ziehen Sie vorsichtig den Controller heraus, der mit einem spiralförmigen Telefonkabel mit dem Gerät verbunden bleibt. (\pm 1,2 m Kabellänge).
- Der Controller kann in der Hand gehalten und für Trainingseinstellungen während des Trainings verwendet werden.

WARNUNG

- Vermeiden Sie, dass sich das Spiralkabel während des Trainings in den beweglichen Teilen des Geräts verfängt.

Controller verstauen

Nach dem Training empfiehlt es sich, den Controller wieder zu verstauen.

- Bringen Sie den Controller mit dem kabelgebundenen Ende zuerst in einer gleichmäßigen Bewegung zurück in Richtung des Staufachs des Geräts.
- Das Kabel wickelt sich wieder auf und wird zurück in das Staufach gezogen, wobei eine gewisse Führung erforderlich sein kann.
- Klicken Sie den Controller wieder ein, um sicherzustellen, dass er an seinem Platz bleibt.

WARNUNG

- Der Controller sollte leicht und ohne großen Aufwand in das Staufach passen. Wenn zu viel Kraftaufwand erforderlich ist, prüfen Sie, ob das spiralförmige Telefonkabel richtig verstaut ist und nicht verhindert, dass der Controller in das Staufach passt.

Einsatz ohne Motorunterstützung

Das Gerät kann problemlos frei verwendet werden. Dazu muss der Hauptschalter ausgeschaltet sein, das heißt, es gibt keine Geschwindigkeitsanzeige und keine Bewegungsunterstützung. Der natürliche Widerstand der beweglichen Teile im Inneren der Maschine kann weder verändert noch auf ein anderes Niveau eingestellt werden.

Hauptschalter (Abb. E-1)

Das Gerät ist mit einem Hauptschalter ausgestattet, mit dem es komplett abgeschaltet werden kann.

Um das Gerät zu starten:

- Stecken Sie den Netzstecker in die Wandsteckdose.
- Schalten Sie den Hauptschalter ein (ON).

Um das Gerät zu stoppen:

- Schalten Sie den Netzschalter aus (OFF).
- Ziehen Sie den Netzstecker aus der Wandsteckdose.

Controller (Abb. E-2)

ACHTUNG

- Halten Sie den Controller von direktem Sonnenlicht fern.
- Trocknen Sie die Oberfläche des Controllers ab, wenn sie mit Schweißtropfen bedeckt ist.
- Stützen Sie sich nicht auf den Controller.
- Berühren Sie die Tasten des Controllers nur mit der Fingerspitze. Achten Sie darauf, dass Ihre Fingernägel oder scharfe Gegenstände das Display nicht berühren.

HINWEIS

- Die Konsole schaltet nicht in den Standby-Modus um, sondern bleibt im eingeschalteten Zustand.
- Bitte schalten Sie das Gerät aus, wenn Sie es nicht benutzen.

Erklärung der Anzeigeelemente

Scannen

- Automatisches Scannen von Parameteranzeigen für: Geschwindigkeit, Zeit, Dist. & Kal.
- Jede Anzeige erscheint 4 Sekunden lang.
- Die Scan-LED leuchtet, wenn die Scan-Funktion aktiv ist.

Speed

- Zeigt die Geschwindigkeit in den Einstellstufen 1~12 an.
- Die Drehzahl-LED leuchtet auf, wenn der Drehzahlparameter angezeigt wird.

Time

- Zeigt im Trainingsmodus die gelaufene Zeit an.
- Zeigt im Programmiermodus die Zielzeit an.
Anzeige Parametereinheiten: 00:00 Minuten: Sekunden
- Die Zeit-LED leuchtet, wenn der Parameter Zeit angezeigt wird.

Dist. Entfernung

- Zeigt die verbleibende Trainingszeit im Countdown-Modus an.
Parametereinheiten anzeigen: 0,000 KM.Meter.
- DIST: Die LED leuchtet auf, wenn der Parameter Distanz angezeigt wird.

Cal. (Kal.) (Kalorien)

- Zeigt im Trainingsmodus die verbrauchten Kalorien an.
Anzeige Parametereinheiten: 000,0 Kalorien.
- CAL. (Kal.) Die LED leuchtet auf, wenn der Kalorienparameter angezeigt wird.

HINWEIS

- Diese Daten sind ein grober Anhaltspunkt für den Vergleich verschiedener Trainingssitzungen. Sie können jedoch nicht für eine medizinische Behandlung verwendet werden

Schaltflächen

Start/Stop

- Starten Sie das ausgewählte Training im Stoppmodus.
- Unterbricht Ihr Training, wenn Sie sich im Trainingsmodus befinden.

Modus

- Wählen Sie den Programmiermodus im Ruhezustand.
- Bestätigen Sie die Einstellung, um im Programmiermodus in den nächsten Schritt zu gelangen.
- Wechseln Sie den Anzeigemodus, wenn Sie sich im Trainingsmodus befinden.

Zeit

- Zeit für das Training einstellen (1 ~ 15 Min. ± 1 Minute)
- Einmal drücken, um eine Minute zu erhöhen, gedrückt halten, um die Eingabe zu beschleunigen

HINWEIS

- Im Programmiermodus kann die Zeit bei jedem Tastendruck nur um eine Minute hochgezählt werden. Wenn 15 Minuten erreicht sind, beginnt die Einstellung wieder bei 1 Minute, um den Aufwärtszählzyklus zu wiederholen.

Umgekehrt

- Stellen Sie die Drehrichtung des Pedals in der Vorwärtsstellung auf Rückwärtsfahrt ein.
- Stellen Sie die Pedaldrehrichtung auf Vorwärtsbewegung ein, wenn Sie sich in der Rückwärtsstellung befinden.
- Durch Drücken der "Reverse"-Taste im Betriebsmodus wird das Gerät zum Stillstand gebracht und für ca. 2 Sekunden gehalten, bevor der Motor in den Rückwärtsgang geschaltet werden kann.

HINWEIS

- Wenn sich das Gerät im Rückwärtsgang befindet, sind alle Tasten außer Funktion, bis die Maschine wieder in Bewegung gesetzt wird.

Geschwindigkeit +/ Geschwindigkeit -

- Drücken Sie "Speed +", um die Geschwindigkeit für den gewünschten Motorisierungsmodus zu erhöhen.
- Drücken Sie "Speed -", um die Geschwindigkeit für den gewünschten Motorisierungsmodus zu verringern.
- Einmal drücken, um eine Stufe zu erhöhen/verringern, drücken und halten, um die Eingabe zu beschleunigen
- Nachfolgend die Tabelle, die für jede Stufe die Anfangsdrehzahl angibt. (Umdrehungen pro Minute)

Speed	1	2	3	4	5	6	7	8	9	10	11	12
RPM	35	39	43	48	52	56	60	64	68	73	77	80

Speed = Geschwindigkeit
RPM = U/Min

Programme

Manueller Modus

Das Gerät verfügt über einen manuellen Modus, bei dem der Benutzer die Geschwindigkeitsstufe jederzeit frei wählen und einstellen kann. So wählen Sie diesen Modus:












- Drücken Sie die Taste „Mode“, um den Programmiermodus zu öffnen, es wird P1 angezeigt.
- Drücken Sie die Taste "Mode", bis "-.-.-" angezeigt wird, was dem manuellen Modus entspricht.
- Drücken Sie die Taste "Start/ Stop", um Ihr Training zu beginnen.
- Drücken Sie die Tasten "Speed +/-", um den gewünschten Unterstützungsmodus einzustellen. Die Standardeinstellung für die Geschwindigkeit ist 1.
- Drücken Sie die Taste "Time", um die gewünschte Trainingszeit im Bereich von 1 bis 15 Minuten einzustellen. Die Standardeinstellung für die Trainingszeit ist 10 Minuten.
- Drücken Sie die Taste "Speed +/-", um die Geschwindigkeit Ihrer Unterstützung jederzeit auf die gewünschte Geschwindigkeit einzustellen.
- Drücken Sie die Taste "Reverse", wenn Sie die Richtung der Unterstützungsbewegung jederzeit ändern möchten.
- Wenn Sie die voreingestellte Trainingszeit erreicht haben, wird das Gerät sanft angehalten.

Voreingestellte Programme (P1~P5)

Das Gerät verfügt über 5 voreingestellte Programme mit verschiedenen Profilen.


Jedes Profil hat ein voreingestelltes Profil mit Geschwindigkeits- und Richtungsänderungen.

- Nachfolgend finden Sie eine Tabelle mit den einzelnen vorprogrammierten Profilen.
- Jedes Segment dauert 30 Sekunden und läuft so lange, bis die Trainingszeit abgelaufen ist und das Gerät sanft stoppt.

	Richtung											
P1	Speed	1	2	3	4	5	1	2	3	4	5	
P2	Speed	2	3	4	5	6	2	3	4	5	6	
P3	Speed	3	5	7	9	11	3	5	7	9	11	
P4	Speed	4	6	8	10	12	4	6	8	10	12	
P5	Speed	5	10	5	10	--	5	10	5	10	-	

(Speed = Geschwindigkeit)

So wählen Sie Ihr bevorzugtes Profil aus:

- Drücken Sie die Taste „Mode“, um den Programmiermodus zu öffnen, es wird P1 angezeigt.
- Drücken Sie die Taste "Mode", bis der gewünschte Profilmodus angezeigt wird.
- Drücken Sie die Taste "Start/ Stop", um Ihr Training zu beginnen.
- Drücken Sie die Taste "Time", um die gewünschte Trainingszeit im Bereich von 1 bis 15 Minuten einzustellen. Die Standardeinstellung für die Trainingszeit ist 10 Minuten.
- Drücken Sie die Taste "Level +/-", um die Geschwindigkeit Ihrer Unterstützung jederzeit auf Ihre gewünschte Geschwindigkeit einzustellen.
- Drücken Sie die Taste "Reverse", wenn Sie die Richtung der Unterstützungsbewegung jederzeit ändern möchten.
-  **HINWEIS**
- Wenn Sie die Geschwindigkeit oder die Fahrtrichtung ändern, während Sie sich in einem vorprogrammierten Profil befinden, gilt die Änderung nur für das aktive Segment, und das vorprogrammierte Profil wird beibehalten, wenn Sie zum nächsten Profilssegment wechseln.
- Wenn Sie die voreingestellte Trainingszeit erreicht haben, wird das Gerät sanft angehalten.

Reinigung und Wartung

Das Gerät bedarf keiner besonderen Wartung. Das Gerät muss nicht neu kalibriert werden, wenn es gemäß den Anweisungen zusammengebaut, verwendet und gewartet wird.

WARNUNG

- Ziehen Sie vor der Reinigung und Wartung den Netzstecker aus der Wandsteckdose.
- Verwenden Sie zur Reinigung des Geräts keine Lösungsmittel.

- Reinigen Sie das Gerät nach dem Gebrauch mit einem weichen aufnahmefähigen Lappen.
- Prüfen Sie regelmäßig, ob alle Schrauben und Muttern fest sind.
- Schmieren Sie die Gelenke, falls erforderlich.



Störungen und Fehlfunktionen

Trotz ständiger Qualitätskontrolle können durch Einzelteile verursachte Störungen und Fehlfunktionen am Gerät auftreten. In den meisten Fällen ist es ausreichend, das defekte Teil zu erneuern.

- Falls das Gerät nicht ordnungsgemäß funktioniert, wenden Sie sich unverzüglich an den Händler.
- Nennen Sie dem Händler Modell- und Seriennummer des Geräts. Schildern Sie die Art des Problems, die Gebrauchsbedingungen und das Kaufdatum.

Betriebs- störungen

Trotz kontinuierlicher Qualitätsüberwachung können vereinzelt an den Geräten durch einzelne Komponenten verursachte Funktionsstörungen auftreten. Dabei ist es nicht angebracht, das ganze Gerät zur Reparatur zu bringen, da der Fehler meistens durch Austauschen der defekten Komponente behoben werden kann.

Wenn das Gerät während des Gebrauchs nicht einwandfrei funktioniert, wenden Sie sich bitte umgehend an die für Sie zuständige Tunturi- Alleinvertretung. Beschreiben Sie das Problem, die Einsatzbedingungen und teilen Sie das Kaufdatum und die Typenbezeichnung und die Seriennummer Ihres Gerätes mit.

Wenden Sie sich an Ihre nationale Tunturi-Vertretung, wenn Sie Ersatzteile benötigen. Beschreiben Sie die Einsatzbedingungen und teilen Sie das Kaufdatum und die Seriennummer des Gerätes mit. Die Ersatzteilnummern finden Sie in der Liste am Ende dieser Anweisung. Nur Teile in der Ersatzteilliste dürfen verwendet werden.

Fehlercodes

Falls in der Anzeige ein Fehlercode erscheint (durch „E“/ „DC“ + Nummer erkennbar), starten Sie das Gerät neu und prüfen Sie, ob in der Anzeige der Fehlercode immer noch steht. Falls in der Anzeige der Fehlercode immer noch steht, wenden Sie sich unverzüglich an Ihren Händler.

Transport und Lagerung

WARNUNG

- Tragen und bewegen Sie das Gerät mit Vorsicht.
- Bewegen Sie das Gerät und stellen Sie es vorsichtig ab.
- Stellen Sie das Gerät auf eine schützende Unterlage, um eine Beschädigung der Bodenoberfläche zu vermeiden.
- Bewegen und heben Sie das Gerät vorsichtig über unebene Flächen.
- Bewegen Sie das Gerät nicht an den Pedalen, sondern benutzen Sie den dafür vorgesehenen Griff an der Oberseite des Gehäuses.
- Lagern Sie das Gerät an einem trockenen Ort mit möglichst geringen Temperaturschwankungen.

Garantie

Eigentümer-garantie für Tunturi fitnessgeräte.

Garantiebedingungen

Der Käufer hat Anspruch auf die anwendbaren Bestimmungen, die in der jeweiligen nationalen Gesetzgebung für den Handel mit Konsumgütern festgelegt sind. Diese Garantie schränkt diese Rechte nicht ein. Die Garantie des Käufers gilt nur, wenn der Artikel in einer Umgebung verwendet und nach Anweisung gewartet wird, die von Tunturi New Fitness BV für dieses Gerät genehmigt wurde. Die produktspezifisch zugelassene Umgebung und Wartungshinweise sind im "Benutzerhandbuch" des Produkts angegeben. Das "Benutzerhandbuch" kann von unserer Website heruntergeladen werden. <http://manuals.tunturi.com>

Garantiedauer

Die Garantie gilt ab Kaufdatum. Die Garantiedauer kann sich je nach Land unterscheiden. Bitte wenden Sie sich an Ihren zuständigen Händler, um die Garantiedauer zu erfahren.

Garantieumfang

Unter keinen Umständen haften die Tunturi New Fitness BV oder der Tunturi-Vertragshändler für dem Käufer möglicherweise zugefügte indirekte Schäden wie Gebrauchsbeeinträchtigung oder Einkommensverlust oder anderen wirtschaftlichen Folgeschäden.

Einschränkungen der garantie

Die Garantie deckt durch Herstellung oder Material hervorgerufene Fehler des Fitnessgeräts in dessen ursprünglicher Zusammensetzung. Unter Voraussetzung, dass die Aufbau-, Pflege- und Gebrauchsanweisungen von Tunturi befolgt wurden, erstreckt sich die Garantie auf solche Fehler, die bei normaler und einem dem Gerät beiliegenden Anleitungsbuch entsprechender Benutzung auftreten können. Die Tunturi New Fitness BV und der Tunturi-Vertragshändler haften nicht für Fehler, die durch Faktoren außerhalb ihrer Einflussmöglichkeiten hervorgerufen wurden. Die Garantie gilt nur für den ursprünglichen Eigentümer und nur in den Ländern, in denen es einen von der Tunturi New Fitness BV autorisierten Importeur gibt. Die Garantie gilt nicht für solche Fitnessgeräte oder Teile, an denen ohne Zustimmung der Tunturi New Fitness BV Veränderungen vorgenommen worden sind. Die Garantie betrifft auch nicht solche Schäden, die durch natürlichen Verschleiß, fehlerhaften Gebrauch, Benutzung unter für das Gerät nicht vorgesehenen Umständen, Korrosion, Verladung oder Transport hervorgerufen wurden.

Ersatzleistungen aufgrund von Geräuschen, die beim Einsatz des Geräts auftreten, sind von der Garantie ausgeschlossen, sofern diese Geräusche den Gebrauch des Geräts nicht wesentlich beeinträchtigen und nicht durch einen Gerätefehler bedingt sind.

Die Garantie beinhaltet keine Wartungsmaßnahmen, wie Reinigung, Schmieren oder normales Kontrollieren der Teile, auch nicht solche Aufbaumaßnahmen, die der Kunde selbst ausführen kann und die kein spezielles Auseinander- oder Zusammenbauen des Fitnessgeräts erfordern. Zu solchen Maßnahmen gehört beispielsweise das Austauschen von Cockpits, Pedalen oder anderer entsprechender einfacher Teile. Andere als die durch einen autorisierten Tunturi-Vertreter ausgeführten Garantieleistungen werden nicht ersetzt. Durch unsachgemäße, d.h. nicht der Bedienungsanleitung entsprechenden, Bedienung, verfällt jedweder Garantieanspruch.

Technische Daten

Parameter	Maß-einheit	Wert
Netzspannung	VAC	210 ~ 240
Netzfrequenz	HZ	50 ~ 60
Geschwindigkeit	Ebenen	1 ~ 15
Länge	Cm	42.0
Breite	Cm	40.0
Höhe	Cm	29.0
Gewicht	Kg	4.5
Herzdatenmessung verfügbar über:	Handgriffkontakt 5,3~ 5,4 Khz. Bluetooth (BLE) ANT+	Nein Nein Nein Nein

Herstellereklärung

Tunturi New Fitness BV erklärt hiermit, dass das Produkt folgenden Normen und Richtlinien entspricht: EN 957 (HC), 2014/30/EU . Das Produkt trägt daher das CE-Kennzeichen.

08-2021

Tunturi New Fitness BV
Purmerweg 1
1311 XE Almere
The Netherlands

Haftungsausschluss

© 2021 Tunturi New Fitness BV
Alle Rechte vorbehalten.

- Produkt und Handbuch können geändert werden.
- Die technischen Daten können ohne Vorankündigung geändert werden.
- Auf unserer Website finden Sie die neueste Version des Benutzerhandbuchs.

Français

Ce manuel français est une traduction de la version anglaise. Notez que la version anglaise est en tête dans le contenu lorsque des différences sont trouvées.

Indice

Bienvenue	20
Avertissements de sécurité	20
Sécurité électrique	21
Instructions de montage	21
Illustration de description A	21
Illustration de description B	21
Illustration de description D	21
Informations complémentaires de montage	21
Informations supplémentaires.....	21
Usage	21
Retirer la commande	21
Ranger la commande	22
Utilisation sans support moteur	22
Interrupteur d'alimentation principale (fig. E-1)	22
Commande (fig. E-2)	22
Explications des éléments de l'écran	22
Touches	22
Programmes	23
Mode manuel	23
Programmes préréglés (P1-P5).....	23
Nettoyage et maintenance	23
Défauts et dysfonctionnements	23
Defauts de fonctionnement	24
Transport et rangement	24
Garantie	24
Déclaration du fabricant	25
Limite de responsabilité	25

Bienvenue

Bienvenue dans l'univers de Tunturi Fitness !
Merci pour votre achat de cet élément d'équipement Tunturi.
Tunturi offre toute une gamme d'équipements de fitness professionnels, notamment des vélos elliptiques, tapis de course, vélos d'appartement, rameurs, bancs de musculation, multi stations et accessoires. Les équipements Tunturi sont parfaits pour toute la famille, quel que soit le niveau de forme de ses membres. Pour en savoir plus, visitez notre site Web www.tunturi.com

Consignes de sécurité importantes

Ce Manuel est un élément essentiel de votre équipement d'entraînement : veuillez lire toutes les instructions qu'il contient avant de commencer à utiliser cet équipement. Les consignes suivantes doivent toujours être respectées :

Avertissements de sécurité

⚠ AVERTISSEMENT

- Lisez les avertissements de sécurité et les instructions. Le non respect des avertissements de sécurité et des instructions est une source de blessure et de dégâts de l'équipement. Conservez les avertissements de sécurité et les instructions pour référence ultérieure.

⚠ AVERTISSEMENT

- Les systèmes de suivi de la fréquence cardiaque peuvent être inexacts. Un exercice excessif peut entraîner des blessures graves voire mortelles. Si vous vous sentez défaillir, interrompez immédiatement l'exercice.
- L'équipement est uniquement adapté à un usage domestique. L'équipement ne convient pas à un usage commercial.
 - La durée d'utilisation maximum est limitée à 2 heures par jour.
 - L'emploi de cet équipement par des enfants ou des personnes affectés d'un handicap physique, sensoriel, mental ou moteur, voire dont l'expérience ou les connaissances s'avèrent insuffisantes est une source de risques. Les personnes chargées de leur sécurité doivent leur fournir des instructions explicites ou superviser leur usage de l'équipement.
 - Avant de commencer vos exercices, effectuez un bilan de santé auprès d'un médecin.
 - Si vous êtes pris de nausées ou de vertiges ou sentez d'autres symptômes normaux pendant l'entraînement, interrompez immédiatement la session et consultez votre médecin.
 - Afin d'éviter toutes douleurs et tensions musculaires, commencez vos séances par des échauffements et terminez-les par une récupération. N'oubliez pas de vous étirer après vos exercices.
 - L'équipement est uniquement adapté à un usage intérieur. L'équipement ne convient pas à un usage extérieur.
 - Utilisez l'équipement uniquement dans des environnements correctement ventilés. N'utilisez pas l'équipement dans des endroits exposés aux courants d'air afin de ne pas vous enrhumers.
 - Utilisez l'équipement uniquement à une température ambiante entre 10 °C~35 °C. Rangez l'équipement uniquement à une température ambiante entre 5 °C~45 °C.
 - N'utilisez et ne rangez pas l'équipement dans un environnement humide. L'humidité de l'air ne doit jamais dépasser 80 %.
 - Utilisez l'équipement uniquement pour son usage prévu. N'utilisez pas l'équipement pour d'autres usages que ceux décrits dans le manuel.
 - N'utilisez pas l'équipement si l'une de ses pièces est endommagée ou défectueuse. Si une pièce est endommagée ou défectueuse, contactez votre revendeur.
 - Maintenez vos mains, vos pieds et les autres parties de votre corps à l'écart des pièces mobiles.
 - Maintenez votre chevelure à l'écart des pièces mobiles.
 - Portez des vêtements et des chaussures adaptés.
 - Maintenez les vêtements, bijoux et autres objets à l'écart des pièces mobiles.
 - Assurez-vous qu'une seule personne utilise l'équipement à la fois.
 - L'équipement e doit pas être utilisé par des personnes pesant plus de 100 kg (220 lbs).
 - N'ouvrez pas l'équipement sans consulter votre revendeur.

Sécurité électrique

- Avant usage, assurez-vous toujours que la tension secteur est identique à celle de la plaque signalétique de l'équipement.
- N'utilisez pas de rallonge.
- Maintenez le câble secteur à l'écart de la chaleur, de l'huile et des bords coupants.
- N'altérez et ne modifiez aucunement le câble secteur ou la fiche secteur.
- N'utilisez pas l'équipement si le câble secteur ou la fiche secteur est endommagé ou défectueux. Si le câble secteur ou la fiche secteur est endommagé ou défectueux, contactez votre revendeur.
- Déroulez toujours complètement le câble secteur.
- Ne passez pas le câble secteur sous l'équipement. Ne passez pas le câble secteur sous un tapis. Ne placez aucun objet sur le câble secteur.
- Assurez-vous que le câble secteur ne pend pas sur le bord d'une table. Assurez-vous que le câble secteur ne peut pas être happé par accident ou faire trébucher.
- Ne laissez pas l'équipement sans surveillance si la fiche secteur est insérée dans la prise murale.
- Ne tirez pas sur le câble secteur pour retirer la fiche secteur de la prise murale.
- Retirez la fiche secteur de la prise murale lorsque l'équipement n'est pas utilisé, avant l'assemblage et le démontage et avant le nettoyage et la maintenance.

AVERTISSEMENT

- N'utilisez jamais d'eau ou tout autre liquide directement sur ou à proximité de l'équipement, mais uniquement à l'aide d'un chiffon humide si cela est nécessaire pour nettoyer la machine.
- L'utilisation directe de liquide est nocive pour les composants de l'équipement et peut entraîner un choc électrique causé par un court-circuit.
Cela pourrait entraîner des blessures graves, voire mortelles.

Instructions de montage

Illustration de description A

Cette illustration montre ce à quoi le trainer ressemblera une fois le montage terminé.

Vous pouvez l'utiliser au titre de référence lors du montage mais suivez bien les étapes de montage dans l'ordre indiqué tel que les illustrations le montrent.

Illustration de description B

Cette illustration montre les composants et les pièces que vous devez trouver après avoir déballé le produit.

REMARQUE

- Les petites pièces peuvent être cachées/rangées dans des espaces de la protection en polystyrène du produit.
- Si une pièce manque, contactez votre revendeur.

Illustration de description D

Ces illustrations vous indiquent l'ordre de montage correct pour monter votre trainer.

AVERTISSEMENT

- Assemblez l'équipement dans l'ordre indiqué.
- Deux personnes au moins sont nécessaires pour transporter et déplacer l'équipement.

PRÉCAUTION

- Placez l'équipement sur une surface plane et ferme.
- Placez l'équipement sur une base protectrice pour éviter d'endommager la surface du sol.
- Prévoyez un dégagement d'au moins 100 cm autour de l'équipement.
- Consultez les illustrations pour l'assemblage correct de l'équipement.

Informations complémentaires de montage

D2 Comment installer correctement les pédales

REMARQUE

- La droite et la gauche sont définies du point de vue de la position lors de l'exercice.

Pédale droite

Cherchez l'indication « R » (droite) ou « L » (gauche) sur l'axe de la pédale.

- Installez la pédale droite portant l'indication « R » sur le bras de pédale droit.
- Faites d'abord tourner manuellement l'axe de la pédale dans le sens des aiguilles d'une montre.
- Utilisez la clé pour bien serrer la pédale.

Pédale gauche

- Installez la pédale gauche portant l'indication « L » sur le bras de pédale gauche.
- Faites d'abord tourner manuellement l'axe de la pédale dans le sens inverse des aiguilles d'une montre.
- Utilisez la clé pour bien serrer la pédale.



Cliquez pour voir notre vidéo YouTube d'assistance
<https://youtu.be/Devel2ZhCac>

NOTE

- Conservez les outils livrés avec ce produit après son montage, pour d'éventuels entretiens.

Informations supplémentaires

Élimination des emballages

Les réglementations gouvernementales nous demandent de réduire la quantité de matériaux déposés dans les décharges. C'est pour cela que nous faisons appel à votre responsabilité et vous demandons de déposer les emballages dans des centres de recyclage publics.

Élimination du produit

Chez Tunturi, nous espérons que vous profiterez longtemps de votre appareil de fitness. Cependant, nous savons bien qu'un jour ou l'autre votre machine arrivera au terme de sa vie utile. Selon la directive européenne sur les DEEE, vous êtes responsable de vous séparer correctement de votre appareil de fitness en le déposant dans un site public agréé de récupération des déchets.

Usage

Retirer la commande

La commande de l'équipement peut être sortie de son logement et tenue en main pendant l'entraînement pour effectuer plus facilement des modifications pendant l'entraînement.

- Soulevez avec le bout du doigt la partie inférieure de la commande.

- Retirez délicatement la commande en restant connecté avec l'équipement à l'aide d'un câble téléphonique hélicoïdal. ($\pm 1,2$ m de longueur de câble).
- La commande peut être tenue en main et utilisée pour les réglages pendant l'entraînement.

AVERTISSEMENT

- Évitez que le câble hélicoïdal ne soit happé par les pièces mobiles de l'appareil pendant l'entraînement.

Ranger la commande

Après avoir terminé votre entraînement, il est recommandé de ranger à nouveau la commande.

- Ramenez la commande vers le logement de l'équipement, en orientant d'abord l'extrémité câblée de la commande, dans un mouvement fluide.
- Le fil s'enroulera à nouveau et sera tiré vers le logement, un certain guidage peut être nécessaire.
- Cliquez à nouveau sur la commande pour vous assurer qu'elle reste en place.

AVERTISSEMENT

- La commande doit pouvoir être rangée facilement sans trop d'effort. Si l'effort est trop important, vérifiez que le fil téléphonique hélicoïdal est correctement rangé et qu'il n'empêche pas la commande de s'insérer dans son logement.

Utilisation sans support moteur

L'équipement peut être utilisé librement sans risque de dommages internes. Il faut que l'interrupteur principal soit en mode arrêt, ce qui signifie qu'il n'y a pas d'affichage de la vitesse et pas de support de mouvement.

La résistance naturelle des pièces mobiles à l'intérieur de la machine ne peut pas être modifiée ni réglée sur un autre niveau.

Interrupteur d'alimentation principale (fig. E-1)

L'équipement comporte un interrupteur d'alimentation principale pour le mettre complètement hors tension.

Démarrage de l'équipement:

- Insérez la fiche secteur dans la prise murale.
- Positionnez l'interrupteur d'alimentation principale sur marche (ON).

Arrêt de l'équipement :

- Positionnez l'interrupteur d'alimentation principale sur arrêt (OFF).
- Retirez la fiche secteur de la prise murale.

Commande (fig. E-2)

ATTENTION

- Gardez la commande à l'abri de la lumière directe du soleil.
- Séchez la surface de la commande lorsqu'elle est couverte de gouttes de sueur.
- Ne vous appuyez pas sur la commande.
- Ne touchez les touches de la commande que du bout du doigt. Veillez à ce que vos ongles ou des objets pointus ne touchent pas l'écran.

REMARQUE

- La console ne bascule pas en mode veille, mais reste en mode marche.
- Veuillez mettre la machine en mode « arrêt » lorsqu'elle n'est pas utilisée.

Explications des éléments de l'écran

Scan

- Recherche automatique des affichages de paramètres pour : Vitesse, Durée, Dist. et Cal.
- Chaque écran sera affiché 4 secondes.
- La LED Scan s'allume lorsque la fonction scan est active.

Speed (Vitesse)

- Indique la vitesse au niveau de réglage 1~12.
- La LED Speed s'allume lorsque le paramètre de vitesse est affiché.

Time (Durée)

- Montre la durée courue en mode entraînement.
- Montre la durée à atteindre en mode programmation.
Unités d'affichage : 00:00 Minutes.:Secondes
- La LED Time s'allume lorsque le paramètre Time est affiché.

Dist. (Distance)

- Indique le temps d'entraînement restant en mode compte à rebours.
Unités d'affichage des paramètres : 0.000 KM.Mètres.
- Dist. La LED s'allume lorsque le paramètre Distance est affiché.

Cal. (Calories)

- Montre les calories brûlées en mode entraînement.
Unités d'affichage des paramètres : 000,0 Calories.
- Cal. La LED s'allume lorsque le paramètre Calorie est affiché.

REMARQUE

- Ces données sont fournies à titre indicatif pour comparer différentes séances d'entraînement ; elles ne doivent pas être utilisées dans le cadre d'un traitement médical.

Touches

Start/Stop (Marche/Arrêt)

- Démarrer la séance d'entraînement sélectionnée en mode stop.
- Met l'entraînement en pause en mode entraînement.

Mode

- Sélectionnez un mode de programme en mode veille.
- Confirmez le réglage pour passer à l'étape suivante du mode programmation.
- Changez de mode d'affichage lorsque vous êtes en mode entraînement.

Time (Durée)

- Réglez la durée de la séance d'entraînement (1 ~ 15 min. ± 1 minute)
- Appuyez une fois pour augmenter d'une minute, appuyez et maintenez pour accélérer la saisie.

REMARQUE

- En mode programmation, la durée ne peut compter qu'avec une minute à chaque pression sur la touche. Lorsque vous atteignez 15 minutes, le réglage recommence à 1 minute pour répéter le cycle de comptage ascendant.

Reverse (inverser)

- Réglez le sens de rotation de la pédale en marche arrière lorsqu'elle est en marche avant.
- Régler le sens de rotation de la pédale en marche avant lorsqu'elle est en marche arrière.
- En appuyant sur la touche « Reverse » en mode opérationnel, l'équipement s'arrête en douceur. Maintenez l'arrêt pendant environ 2 secondes, avant que le moteur ne puisse activer le mode marche arrière.

REMARQUE

- Lorsque l'équipement est en mode marche arrière, toutes les touches ne sont pas opérationnelles, jusqu'à ce que la machine soit remise en marche.

Speed +/- Speed - (Vitesse +/- Vitesse -)

- Appuyez sur « Speed + » pour augmenter la vitesse pour le mode de support de la vitesse motorisé désiré.
- Appuyez sur « Speed - » pour diminuer la vitesse pour le mode de support de la vitesse motorisé désiré.
- Appuyez une fois pour augmenter/diminuer d'un niveau, appuyez et maintenez pour accélérer la saisie.
- Le tableau ci-dessous montre chaque niveau représentant le rpm de départ. (tours par minute)

Speed	1	2	3	4	5	6	7	8	9	10	11	12
RPM	35	39	43	48	52	56	60	64	68	73	77	80

Speed = Vitesse

RPM = Tours par minute

Programmes

Mode manuel

L'équipement dispose d'un mode manuel, où l'utilisateur est libre de sélectionner et de régler le niveau de vitesse à tout moment. Pour sélectionner ce mode :

- Appuyez sur la touche « Mode » pour ouvrir le mode de programmation, l'écran affiche P1.
- Appuyez sur la touche « Mode » jusqu'à ce que « -.-.-.- » s'affiche, ce qui correspond au mode manuel.
- Appuyez sur le bouton "Start/ Stop" pour commencer votre entraînement.
- Appuyez sur les touches « Speed +/- » pour régler le mode d'assistance de vitesse souhaité. La vitesse par défaut est de 1.
- Appuyez sur la touche « Time » pour régler la durée de votre séance d'entraînement dans une fourchette de 1 à 15 minutes. Le réglage par défaut de la durée de l'entraînement est de 10 minutes.
- Appuyez sur la touche « Speed +/- » comme vous le souhaitez pour régler la vitesse de votre support à la vitesse souhaitée à tout moment.
- Appuyez sur la touche « Reverse » comme vous le souhaitez pour définir la direction du mouvement de votre support à tout moment.
- Lorsque vous avez atteint la durée d'entraînement prédéfinie, la machine s'arrête en douceur.

Programmes préréglés (P1-P5)

L'équipement a 5 programmes préréglés avec différents profils. Chaque profil a un profil prédéfini pour les variations de vitesse et de direction.

- Le tableau ci-dessous montre chaque profil préprogrammé. Chaque segment dure 30 secondes et se répète jusqu'à ce que la durée d'entraînement soit écoulée et que la machine s'arrête en douceur.

Direction		↺	↺	↺	↺	↺	↻	↻	↻	↻	↻
P1	Speed	1	2	3	4	5	1	2	3	4	5
P2	Speed	2	3	4	5	6	2	3	4	5	6
P3	Speed	3	5	7	9	11	3	5	7	9	11
P4	Speed	4	6	8	10	12	4	6	8	10	12
P5	Speed	5	10	5	10	--	5	10	5	10	-

(Speed = Vitesse)

Pour sélectionner votre profil préféré :

- Appuyez sur la touche « Mode » pour ouvrir le mode de programmation, l'écran affiche P1.
- Appuyez sur la touche « Mode » jusqu'à ce que le mode de profil souhaité soit affiché.
- Appuyez sur le bouton "Start/ Stop" pour commencer votre entraînement.
- Appuyez sur la touche « Time » pour régler la durée de votre séance d'entraînement dans une fourchette de 1 à 15 minutes. Le réglage par défaut de la durée de l'entraînement est de 10 minutes.
- Appuyez sur la touche « Level +/- » comme vous le souhaitez pour régler la vitesse de votre support à la vitesse souhaitée à tout moment.
- Appuyez sur la touche « Reverse » comme vous le souhaitez pour définir la direction du mouvement de votre support à tout moment.

REMARQUE

- Lorsque vous modifiez la vitesse ou la direction de la course dans un profil préprogrammé, le changement ne s'appliquera qu'au segment actif dans lequel vous vous trouvez et continuera à suivre le profil préprogrammé lorsque vous passerez au segment suivant.
- Lorsque vous avez atteint la durée d'entraînement prédéfinie, la machine s'arrête en douceur.

Nettoyage et maintenance

Cet équipement ne nécessite aucune maintenance spéciale. L'équipement n'a besoin d'aucune calibration après son assemblage, son utilisation et son entretien conformément aux instructions.

AVERTISSEMENT

- Avant le nettoyage et la maintenance, retirez la fiche secteur de la prise murale.
- N'utilisez aucun solvant pour nettoyer l'équipement.
- Nettoyez l'équipement avec un chiffon doux et absorbant après chaque usage.
- Vérifiez régulièrement le serrage de tous les écrous et vis.
- Si nécessaire, lubrifiez les joints.

Défauts et dysfonctionnements

Malgré un contrôle continu de la qualité, des défauts ou des dysfonctionnements peuvent être occasionnés par des composants individuels. La plupart du temps, il vous suffit de remplacer la pièce défectueuse.

- Si l'équipement ne fonctionne pas correctement, contactez immédiatement le revendeur.
- Fournissez le numéro de modèle et le numéro de série de l'équipement au revendeur. Mentionnez la nature du problème, les conditions d'usage et la date d'achat.

Defauts de fonctionnement

En dépit d'un contrôle continu de la qualité, l'appareil peut présenter des défauts ou des anomalies de fonctionnement provenant de certains de ses composants. Dans ce cas, il n'est pas cependant nécessaire d'aller faire réparer votre appareil, le problème pouvant bien souvent être résolu par simple changement de la pièce défectueuse.

Contactez votre distributeur au cas où vous remarqueriez un défaut ou un mauvais fonctionnement de votre l'appareil ou si vous avez besoin de pièces de rechange. Indiquez-lui la nature du problème, les conditions d'utilisation, la date d'achat, le modèle et le numéro de série.

Vous trouverez la liste des pièces détachées à la fin de ce mode d'emploi. Seules des pièces mentionnées dans la liste des pièces de rechange peuvent être utilisées dans l'appareil.

Codes d'erreur

Si l'affichage indique un code d'erreur ("E"/ "DC" + un nombre), redémarrez l'équipement et vérifiez si le code d'erreur s'affiche toujours. Si le code d'erreur persiste, contactez immédiatement le revendeur.

Transport et rangement

⚠ AVERTISSEMENT

- Transportez et déplacez l'équipement avec précaution.
- Déplacez l'équipement et posez-le avec précaution.
- Placez une protection sous l'appareil pour éviter d'endommager le sol.
- Déplacez et soulevez l'équipement avec précaution sur des surfaces inégales.
- Ne déplacez pas l'équipement en saisissant les pédales, mais utilisez la poignée prévue à cet effet sur le dessus du capot.
- Rangez et utilisez votre appareil dans un endroit sec, sans variations de température importantes.

Garantie

Garantie du propriétaire d'un équipement de Tunturi

Conditions de garantie

Le consommateur est protégé par la législation en vigueur concernant le commerce des biens de consommation. Cette garantie ne limite pas ces droits. La Garantie de l'acheteur n'est valide que si le produit est utilisé dans l'environnement préconisé par la société Tunturi New Fitness BV, et est conservé tel que cela est indiqué pour cet équipement donné. L'environnement approuvé spécifique au produit et les instructions d'entretien sont indiqués dans le « manuel d'utilisation » du produit. Le « manuel d'utilisation » peut être téléchargé sur notre site Web. <http://manuals.tunturi.com>

Conditions de garantie

Les conditions de garantie sont applicables à compter de la date d'achat et peuvent varier selon les pays. Demandez conseil à votre revendeur.

Étendue de la garantie

En aucun cas Tunturi New Fitness BV, le revendeur ou le distributeur Tunturi ne répondra des éventuels dommages spéciaux, indirects, secondaires ou consécutifs, de quelque nature que ce soit, liés à l'utilisation de ou à l'inaptitude à utiliser cet équipement.

Restrictions de garantie

La garantie couvre les défauts de fabrication et de matériaux dans un équipement d'origine, sorti d'usine et conditionné par Tunturi New Fitness BV. La garantie couvre uniquement les défauts apparaissant lors d'une utilisation normale et conforme aux instructions du manuel du propriétaire, à condition que les instructions de montage, de maintenance et d'utilisation établies par Tunturi New Fitness BV aient été respectées. Tunturi New Fitness BV et les revendeurs Tunturi ne répondent pas des défauts occasionnés par des conditions indépendantes de leur volonté. La garantie est applicable uniquement au premier acheteur et est valable uniquement dans les pays où Tunturi New Fitness BV dispose d'un distributeur agréé. La garantie ne s'étend pas aux équipements de fitness ou aux pièces qui ont été modifiées sans l'autorisation de Tunturi New Fitness BV. La garantie ne s'applique pas aux défauts provenant d'une usure normale, d'une utilisation inadaptée, d'une utilisation dans des conditions non prévues par le fabricant, de la corrosion ou d'un dommage intervenu lors du chargement ou du transport.

La garantie ne couvre pas les sons ou les bruits émis par l'équipement s'ils ne gênent pas son utilisation et s'ils ne sont pas provoqués par un dysfonctionnement.

La garantie ne couvre pas non plus les mesures de maintenance, telles que le nettoyage, la lubrification ou la vérification normale des pièces, ni les actions que le client peut effectuer lui-même et qui n'exigent pas particulièrement de monter/ démonter l'équipement. Ces actions sont par exemple le changement des compteurs, des pédales ou autres pièces similaires faciles à changer. Seules les réparations sous garantie effectuées par un revendeur ou par le distributeur agréé Tunturi seront prises en charge. Le non-respect des instructions décrites dans le Manuel de l'Utilisateur entraînera l'annulation de la garantie.

Données techniques

Paramètre	Unité de mesure	Valeur
Tension secteur	VCA	210 ~ 240
Fréquence secteur	HZ	50 ~ 60
Vitesse	Niveaux	1 ~ 15
Longueur	Cm	42.0
Largeur	Cm	40.0
Hauteur	Cm	29.0
Poids	Kg	4.5
Mesure de la fréquence cardiaque disponible via:	contact par prise en main 5,3 ~ 5,4 kHz. Bluetooth (BLE) ANT+	Non Non Non Non

Déclaration du fabricant

Tunturi Fitness BV déclare que le produit est conforme aux directives et normes suivantes : EN 957 (HC), 2014/30/EU . Ce produit porte donc la marque CE.

08-2021

Tunturi New Fitness BV
Purmerweg 1
1311 XE Almere
Pays-Bas

Limite de responsabilité

© 2021 Tunturi New Fitness BV
Tous les droits réservés.

- Le produit et le manuel sont sujets à modifications.
- Les spécifications peuvent changer sans préavis.
- Consultez notre site Web pour obtenir la dernière version du manuel d'utilisation.

Nederlands

Deze Nederlandse handleiding is een vertaling van de Engelse tekst. Aan deze vertaling kunnen geen rechten ontleend worden. De originele Engelse tekst blijft leidend.

Inhoud

Welkom.....	26
Veiligheidswaarschuwingen.....	26
Elektrische veiligheid	27
Montage instructies.....	27
Beschrijving afbeelding A	27
Beschrijving afbeelding B.....	27
Beschrijving afbeelding D	27
Aanvullende montage-informatie	27
Aanvullende informatie	27
Gebruik.....	28
De controller uit de opbergruimte halen	28
De controller opbergen.....	28
Gebruik zonder ondersteuning van de motor.....	28
Hoofdschakelaar (Fig. E-1)	28
Controller (fig. E-2).....	28
Uitleg van de items op het display	28
Toetsen.....	28
Programma's.....	29
Handmatige modus.....	29
Voorgeprogrammeerde programma's (P1~P5)	29
Reiniging en onderhoud	29
Defecten en storingen.....	30
Verplaatsen en opslag	30
Garantie.....	30
Technische gegevens	31
Verklaring van de fabrikant	31
Disclaimer	31

Welkom

Welkom in de wereld van Tunturi Fitness!

Hartelijk dank voor uw aankoop van dit Tunturi-toestel. Tunturi biedt een grote verscheidenheid aan professionele toestellen zoals crosstrainers, loopbanden, fietstrainers, roeimachines, krachtbanken, multistations en accessoires. Het Tunturi-toestel is geschikt voor de hele familie, onafhankelijk van de conditie. Meer informatie vindt u op de website www.tunturi.com

Belangrijke Informatie

Deze handleiding is een essentieel onderdeel van uw trainingsapparatuur. Lees alle instructies in deze handleiding voordat u de apparatuur in gebruik neemt. De volgende voorzorgsmaatregelen moeten altijd in acht worden genomen:

Veiligheidswaarschuwingen

⚠ WAARSCHUWING

- Lees de veiligheid-waarschuwingen en de instructies. Het niet opvolgen van de veiligheid-waarschuwingen en de instructies kan persoonlijk letsel of beschadiging van het toestel veroorzaken. Bewaar de veiligheid-waarschuwingen en instructies voor toekomstig gebruik.

⚠ WAARSCHUWING

- Hartslag-bewakingssystemen kunnen onnauwkeurig zijn. Overmatig trainen kan leiden tot ernstig letsel of de dood. Als u zich duizelig voelt, stop dan onmiddellijk met trainen.

- Het toestel is uitsluitend geschikt voor huishoudelijk gebruik. Het toestel is niet geschikt voor commercieel gebruik.
- Het maximum gebruik is beperkt tot 2 uur per dag
- Het gebruik van dit toestel door kinderen of personen met fysieke, sensorische, geestelijke of motorische handicaps, of met gebrek aan ervaring en kennis kan gevaar veroorzaken. De personen die verantwoordelijk zijn voor hun veiligheid moeten uitdrukkelijke instructies geven of toezicht houden op het gebruik van het toestel.
- Laat uw gezondheid door een arts controleren voordat u met uw training begint.
- Als u misselijkheid, duizeligheid of andere abnormale symptomen ervaart, stop dan onmiddellijk met uw training en raadpleeg een arts.
- Om spierpijn en te zware belasting te voorkomen, moet u elke training beginnen met een warming-up en eindigen met een cooling-down. Vergeet niet om uw spieren te strekken aan het einde van de training.
- Het toestel is uitsluitend geschikt voor gebruik binnenshuis. Het toestel is niet geschikt voor gebruik buitenshuis.
- Gebruik het toestel alleen in een omgeving met voldoende ventilatie. Gebruik het toestel niet in een tochtige omgeving om geen kou te vatten.
- Gebruik het toestel alleen in een omgeving met een omgevingstemperatuur tussen 10 °C~35 °C. Berg het toestel alleen op bij een omgevingstemperatuur tussen 5 °C~45 °C.
- Gebruik het toestel niet in een vochtige omgeving. Berg het toestel niet op in een vochtige omgeving. De luchtvochtigheid mag nooit meer zijn dan 80%.
- Gebruik het toestel alleen voor het doel waarvoor het gemaakt is. Gebruik het toestel niet voor andere doelstellingen dan beschreven in de handleiding.
- Gebruik het toestel niet als een onderdeel is beschadigd of niet goed werkt. Raadpleeg uw dealer als een onderdeel is beschadigd of niet goed werkt.
- Houd uw handen, voeten en andere lichaamsdelen uit de buurt van de bewegende delen.
- Houd uw haar uit de buurt van de bewegende delen.
- Draag geschikte kleding en schoenen.
- Houd kleding, sieraden en andere voorwerpen uit de buurt van de bewegende delen.
- Zorg ervoor dat het toestel slechts door één persoon tegelijk wordt gebruikt.

- Het toestel mag niet worden gebruikt door personen die meer dan 100 kg (220 lbs) wegen.
- Maak het toestel niet open zonder eerst uw dealer te raadplegen.

Elektrische veiligheid

- Controleer voor gebruik altijd of de netspanning gelijk is aan de spanning op het typeplaatje van het toestel.
- Gebruik geen verlengsnoer.
- Houd het snoer uit de buurt van warmte, olie en scherpe randen.
- Verander of wijzig het snoer of de stekker niet.
- Gebruik het toestel niet als het snoer of de stekker beschadigd is of niet goed werkt. Als het snoer of de stekker is beschadigd of niet goed werkt, raadpleeg dan uw dealer.
- Rol het snoer altijd helemaal uit.
- Laat het snoer niet onder het toestel door lopen. Laat het snoer niet onder een kleed door lopen. Plaats geen voorwerpen op het snoer.
- Zorg ervoor dat het snoer niet over de rand van een tafel hangt. Zorg ervoor dat niemand per ongeluk achter het snoer kan blijven haken of erover kan struikelen.
- Laat het toestel niet onbewaakt achter wanneer de stekker in het stopcontact zit.
- Trek niet aan het snoer als u de stekker uit het stopcontact wilt halen.
- Verwijder de stekker uit het stopcontact wanneer het toestel niet in gebruik is, vóór montage of demontage en vóór reiniging en onderhoud.

WAARSCHUWING

- Gebruik nooit water of andere vloeistof direct op of in de buurt van de apparatuur. Als er vocht nodig is om de machine te reinigen, maak dan alleen gebruik van een vochtige doek.
- Direct gebruik van vloeistof op de apparatuur is schadelijk voor de onderdelen en kan leiden tot een elektrische schok als gevolg van kortsluiting.
Dit kan leiden tot ernstig persoonlijk letsel of zelfs de dood.

Montage instructies

Beschrijving afbeelding A

De illustratie laat zien hoe de trainer er na de montage uitziet. U kunt dit als referentie gebruiken tijdens de montage, maar volg de montageschappen altijd in de juiste volgorde, zoals aangegeven op de afbeeldingen.

Beschrijving afbeelding B

De illustratie laat zien welke componenten en onderdelen er in uw pakket moeten zitten.

OPMERKING

- Kleine onderdelen kunnen soms enigszins verborgen verpakt zitten in holle ruimtes in het beschermende piepschuimmateriaal om het product.
- Raadpleeg uw dealer als een onderdeel ontbreekt.

Beschrijving afbeelding D

Op de afbeeldingen staat aangegeven in welke volgorde de trainer moet worden gemonteerd.

WAARSCHUWING

- Monteer het apparaat in de aangegeven volgorde.
- Draag en verplaats het toestel met minstens twee personen.

VOORZICHTIG

- Zet het toestel op een stevige, vlakke ondergrond.
- Zorg voor een beschermende laag onder het toestel om schade aan het vloeroppervlak te voorkomen.
- Houd rondom de apparatuur ten minste een bewegingsruimte van 100 cm.
- Raadpleeg de illustraties voor de juiste assemblage van het toestel.

Aanvullende montage-informatie

D2 Correcte montage van de pedalen

OPMERKING

- Wat links en rechts is, wordt bepaald vanuit de positie op de fiets.

Rechter pedaal

Kijk of er een "R"- of "L"-markering op de pedaalas staat

- Monteer het rechterpedaal "R" in de rechtercrank.
- Draai eerst de pedaalas met de hand met de klok mee.
- Gebruik de steeksleutel om het pedaal goed vast te draaien.

Linker pedaal

- Monteer het linkerpedaal "L" in de linkercrank.
- Draai eerst de pedaalas met de hand tegen de klok in.
- Gebruik de steeksleutel om het pedaal goed vast te draaien.



Klik om onze ondersteunende YouTube-video te bekijken
<https://youtu.be/Devel2ZhCAC>

LET OP

- Bewaar, nadat u het apparaat in elkaar hebt gezet, het gereedschap dat bij dit product is geleverd. Dit met het oog op service op een later tijdstip.

Aanvullende informatie

Afvoeren van verpakkingsmateriaal

Overheids-richtlijnen geven aan dat we de hoeveelheid afvalmateriaal afgevoerd naar stortplaatsen moeten verminderen. Daarom vragen we u al het afvalmateriaal op verantwoorde wijze af te voeren naar openbare recycling-centra.

Verwijdering aan het eind van de levensduur.

We hopen dat u jarenlang plezier hebt van uw fitnessapparaat. Er komt echter een moment waarop het fitnessapparaat het eind van de bruikbare levensduur heeft bereikt. Onder de Europese AEEA-wetgeving bent u verantwoordelijk voor het op de juiste wijze afvoeren van uw fitnessapparaat naar een erkend openbaar inzamelpunt.

Gebruik

De controller uit de opbergruimte halen

U kunt de controller van het toestel uit de opbergruimte halen en tijdens de training in de hand houden om de training eenvoudig te kunnen aanpassen.

- Til met uw vingertoppen de onderkant van de controller eruit.
- Trek de controller voorzichtig naar buiten. Deze blijft met een gekrulde telefoonkabel met het toestel verbonden (kabel lengte ± 1,2 meter).
- U kunt de controller tijdens de training in de hand houden en gebruiken om de training aan te passen.

WAARSCHUWING

- Voorkom dat de gekrulde telefoonkabel tijdens de training tussen de bewegende delen van het toestel vast komt te zitten.

De controller opbergen

Als u klaar bent met de training raden wij u aan om de controller weer op te bergen.

- Beweeg de controller in een vloeiende beweging terug in de richting van de opbergruimte van het toestel, met het bedrade uiteinde van de controller eerst.
- De kabel wordt weer opgerold en weer in de opbergruimte getrokken. Daarbij is mogelijk enige geleiding vereist.
- Klik de controller weer goed vast zodat deze niet uit de opbergruimte kan vallen.

WAARSCHUWING

- De controller moet gemakkelijk en zonder al te veel moeite weer in de opbergruimte passen. Als dit te veel inspanning vergt, controleer dan of de gekrulde telefoonkabel goed naar binnen is getrokken en niet verhindert dat de controller in de opbergruimte past.

Gebruik zonder ondersteuning van de motor

Het toestel kan vrijlopend worden gebruikt zonder gevaar voor interne beschadigingen. Daarvoor moet de hoofdschakelaar in de uitstand staan, wat betekent dat er geen snelheidsweergave is en geen ondersteuning voor bewegingen.

De natuurlijke weerstand van de bewegende delen in het toestel kan niet worden gewijzigd of op een ander niveau worden ingesteld.

Hoofdschakelaar (Fig. E-1)

Het toestel is uitgerust met een hoofdschakelaar om het toestel volledig uit te schakelen.

Starten van het toestel:

- Plaats de stekker in het stopcontact.
- Zet de hoofdschakelaar in de aan-stand (ON).

Stoppen van het toestel:

- Zet de hoofdschakelaar in de uit-stand (OFF).
- Verwijder de stekker uit het stopcontact.

Controller (fig. E-2)

LET OP

- Stel de controller niet bloot aan direct zonlicht.
- Droog het oppervlak van de controller wanneer er zweetdruppels op zitten.
- Leun niet op de controller.
- Raak de toetsen van de controller alleen aan met het topje van uw vinger. Zorg ervoor dat het scherm niet aanraakt met uw nagels of met scherpe voorwerpen.

OPMERKING

- De console gaat niet over naar de stand-bystand, maar blijft in de aan-stand.
- Zet het toestel uit als u het niet gebruikt.

Uitleg van de items op het display

Scan (scannen)

- Scan automatisch de weergegeven parameters voor: Speed (snelheid), Time (tijd), Dist. (afstand) en Cal. (calorieën)
- Elke weergave wordt 4 seconden getoond.
- Scan-ledlampje gaat branden, wanneer de scanfunctie actief is.

Speed (snelheid)

- Toont de snelheid in instellingsniveau 1~12.
- Speed-ledlampje gaat branden, wanneer de parameter voor Snelheid wordt getoond.

Time (tijd)

- Toont de gelopen tijd in de trainingsmodus.
- Toont de doeltijd in de programmeringsmodus.
Weergave van parameter-eenheden: 00:00 Minuten:Seconden
- Time-ledlampje gaat branden, wanneer de parameter voor Tijd wordt getoond.

Dist. (afstand)

- Toont de resterende trainingstijd in aftellende modus.
Weergave van parameter-eenheden: 0.000 Km.Meter.
- Dist.- ledlampje gaat branden, wanneer de parameter voor Afstand wordt getoond.

Cal. (calorieën)

- Toont de verbrande hoeveelheid calorieën in de trainingsmodus.
Weergave van parameter-eenheden: 000,0 Calorieën.
- Cal.- ledlampje gaat branden, wanneer de parameter voor Calorieën wordt getoond.

OPMERKING

- Deze gegevens vormen een ruwe indicatie die kan worden gebruikt om verschillende trainingssessies met elkaar te vergelijken. Ze mogen niet voor medische doeleinden worden gebruikt.

Toetsen

Start / Stop

- Start de geselecteerde training als het toestel in de stopmodus staat.
- Stop de huidige training als het toestel in de trainingsmodus staat.

Mode (modus)

- Met deze toets selecteert u de programmeringsmodus als het toestel in de ruststand staat.
- Bevestig de instelling om naar de volgende stap in de programmeringsmodus te gaan.
- Verander van displaymodus wanneer het toestel in de trainingsmodus staat.

Time (tijd)

- Met deze toets stelt u de tijd in voor de training (1 ~ 15 min. ± 1 minuut)
- Druk eenmaal op de toets om de tijd met een minuut te verhogen. Houd de toets ingedrukt om het proces te versnellen.

⚠ OPMERKING

- In de programmeringsmodus kan de tijd slechts met één minuut per druk op de toets worden verhoogd. Wanneer de instelling voor 15 minuten is bereikt, begint de instelling weer bij 1 minuut en wordt de cyclus herhaald.

Reverse (omkeren)

- Met deze toets stelt u de draairichting van de pedalen in op achteruit als deze in vooruit staat.
- Met deze toets stelt u de draairichting van de pedalen in op vooruit als deze in achteruit staat.
- Als u in de bedrijfsmodus op de toets 'Reverse' (omkeren) drukt, komt het toestel rustig tot stilstand en blijft ongeveer 2 seconden stilstaan, voordat de motor kan overgaan naar de omkeermodus.

⚠ OPMERKING

- Wanneer het toestel in de modus voor het omkeren van de richting staat, kan geen van de toetsen worden gebruikt totdat het toestel weer in beweging is gezet.

Speed +/- Speed -

- Druk op 'Speed+' om de snelheid te verhogen tot het gewenste ondersteuningsniveau voor de gemotoriseerde snelheidsmodus.
- Druk op 'Speed-' om de snelheid te verlagen tot het gewenste ondersteuningsniveau voor de gemotoriseerde snelheidsmodus.
- Druk eenmaal op de toets om één niveau omhoog/omlaag te gaan. Houd de toets ingedrukt om het proces te versnellen.
- In de onderstaande tabel wordt elk niveau weergegeven met het bijbehorende beginnende toerental (rpm - rotaties per minuut).

Speed	1	2	3	4	5	6	7	8	9	10	11	12
RPM	35	39	43	48	52	56	60	64	68	73	77	80

Speed = Snelheid

Programma's

Handmatige modus

Het toestel beschikt over een handmatige modus, waarin de gebruiker op elk moment het snelheidsniveau kan selecteren en aanpassen. Om deze modus te selecteren:

- Druk op de toets 'Mode' (modus) om de programmeringsmodus te openen.
- Druk op de toets 'Mode' totdat '-.-.-.' wordt weergegeven, dat staat voor de handmatige modus.
- Druk op de knop "Start/ Stop" om uw workout te starten.
- Druk op de toetsen 'Speed +/-' om de gewenste ondersteuningsmodus voor de snelheid in te stellen. De standaardinstelling voor de snelheid is 1.
- Druk op de toets 'Time' om de gewenste trainingstijd in te stellen binnen een bereik van 1~15 minuten. De standaardinstelling voor de trainingstijd is 10 minuten.

- Druk op de toets 'Speed +/-' om op elk moment de ondersteuning op de gewenste snelheid in te stellen.
- Druk op de toets 'Reverse' (omkeren) om op elk moment de gewenste bewegingsrichting van de ondersteuning in te stellen.
- Wanneer de door u ingestelde trainingstijd is bereikt, komt de machine rustig tot stilstand.

Voorgeprogrammeerde programma's (P1~P5)

Het toestel heeft 5 voorgeprogrammeerde programma's met verschillende profielen.

Elk profiel heeft een voorgeprogrammeerd profiel voor het veranderen van snelheid en richting.

- De onderstaande tabel bevat elk voorgeprogrammeerd profiel. Elk segment duurt 30 seconden en wordt voortdurend afgewisseld tot de trainingstijd is afgelopen en het toestel rustig tot stilstand komt.

	Richting	↺	↺	↺	↺	↺	↻	↻	↻	↻	↻
P1	Speed	1	2	3	4	5	1	2	3	4	5
P2	Speed	2	3	4	5	6	2	3	4	5	6
P3	Speed	3	5	7	9	11	3	5	7	9	11
P4	Speed	4	6	8	10	12	4	6	8	10	12
P5	Speed	5	10	5	10	--	5	10	5	10	-

(Speed = Snelheid)

Om uw voorkeursprofiel te kiezen:

- Druk op de toets 'Mode' (modus) om de programmeringsmodus te openen.
- Druk op de toets 'Mode' tot de gewenste profielmodus wordt weergegeven.
- Druk op de knop "Start/ Stop" om uw workout te starten.
- Druk op de toets 'Time' om de gewenste trainingstijd in te stellen binnen een bereik van 1~15 minuten. De standaardinstelling voor de trainingstijd is 10 minuten.
- Druk op de toets 'Level +/-' om op elk moment de gewenste snelheid van de ondersteuning in te stellen.
- Druk op de toets 'Reverse' (omkeren) om op elk moment de gewenste bewegingsrichting van de ondersteuning in te stellen.

⚠ OPMERKING

- Als u de snelheid of richting wijlt wijzigen terwijl u een voorgeprogrammeerd profiel gebruikt, wordt de wijziging alleen toegepast op het segment van het programma waarin u zich op dat moment bevindt. Het toestel blijft het voorgeprogrammeerde profiel volgen wanneer het overgaat naar het volgende profielsegment.
- Wanneer de door u ingestelde trainingstijd is bereikt, komt de machine rustig tot stilstand.

Reiniging en onderhoud

Het toestel vereist geen speciaal onderhoud. Het toestel heeft geen kalibratie wanneer het wordt geassembleerd, gebruikt en onderhouden overeenkomstig de instructies.

⚠ WAARSCHUWING

- Verwijder voor reiniging of onderhoud de stekker uit het stopcontact.
- Gebruik geen oplosmiddelen om het toestel te reinigen.

- Reinig het toestel na elk gebruik met een zachte absorberende doek.
- Controleer regelmatig of alle schroeven en moeren goed vast zitten.
- Smeer indien nodig de draaipunten.

Defecten en storingen

Ondanks voortdurende kwaliteitscontrole kan het gebeuren dat het toestel door individuele onderdelen defect is of niet goed werkt. In de meeste gevallen zal het voldoende zijn om het defecte onderdeel te vervangen.

- Als het toestel niet goed werkt, neem dan onmiddellijk contact op met de dealer.
- Geef het modelnummer en serienummer van het toestel op aan de dealer. Vertel wat de aard van het probleem is, hoe het toestel wordt gebruikt en wanneer u het toestel heeft gekocht.

Gebruiksstoringen

Ondanks voortdurende kwaliteitscontroles, kunnen er defecten of storingen optreden die het gevolg zijn van het niet goed functioneren van onderdelen die in de looptrainer zijn gebruikt. In de meeste gevallen is het onnodig om het gehele apparaat ter reparatie aan te bieden, aangezien de storing meestal kan worden opgelost door het vervangen van het defecte onderdeel.

Mochten er storingen optreden bij het gebruik van de trainer, neem dan onmiddellijk contact op met uw Tunturi dealer. Vermeldt daarbij altijd het model en het serienummer van uw Tunturi trainer, de eventuele storingscode en door wie de trainer is geïnstalleerd.

Vermeldt bij het bestellen van onderdelen het model, het serienummer van het apparaat en het nummer van het onderdeel. Op de laatste pagina's van deze gids vindt u de onderdelenlijst.

Foutcodes

Als de display een foutcode toont (aangegeven met "E"/ "DC" + nummer), start dan het toestel opnieuw op en controleer of de foutcode nog steeds op de display verschijnt. Als de display nog steeds de foutcode toont, neem dan onmiddellijk contact op met de dealer.

Verplaatsen en opslag

⚠ WAARSCHUWING

- Draag en verplaats het toestel voorzichtig.
- Zet het toestel na het verplaatsen weer voorzichtig neer.
- Om beschadiging van de vloer te voorkomen, plaatst u het toestel op een extra beschermende onderlaag.
- Verplaats en til het toestel voorzichtig over oneffen oppervlakken.
- Draag het toestel niet aan de pedalen, maar draag het aan de daarvoor bedoelde handgreep bovenop de behuizing.
- Sla het toestel op in een ruimte met zo weinig mogelijk temperatuurschommelingen.

Garantie

Garantie voor eigenaars van Tunturi trainingsapparatuur

Garantievoorwaarden

De consument heeft recht op de geldende wettelijke rechten met betrekking tot de handel in consumptiegoederen die worden vermeld in de nationale wet- en regelgeving. Deze garantie zal deze rechten niet beperken. De garantie voor de eigenaar geldt alleen wanneer het apparaat wordt gebruikt in een door Tunturi New Fitness BV voor dat specifieke apparaat toegestane omgeving en wordt onderhouden volgens de aanwijzingen. De goedgekeurde omgeving en onderhoudsinstructies voor het product staan vermeld in de "gebruikershandleiding" van het product. De "gebruikershandleiding" kan worden gedownload van onze website. <http://manuals.tunturi.com>

Garantievoorwaarden

De garantievoorwaarden gaan in vanaf de datum van aankoop. Deze kunnen per land verschillen. Vraag in de winkel bij u in de buurt naar de garantievoorwaarden.

Garantiedekking

In geen enkele omstandigheid zal Tunturi New Fitness BV of een wederverkoper van Tunturi aansprakelijk zijn voor eventuele indirecte schade geleden door de koper, zoals verlies van gebruiksruimte of inkomstenderving of andere indirecte economische gevolgen.

Garantiebeperkingen

De garantie dekt defecten van het toestel die het gevolg zijn van materiaalfouten of onjuist uitgevoerd werk, mits het toestel zijn originele samenstelling heeft. De garantie betreft alleen defecten die blijken tijdens normaal gebruik overeenkomstig de meegeleverde gebruiksaanwijzing, mits de montage-, onderhouds- en gebruiksaanwijzingen van Tunturi zijn opgevolgd. Tunturi New Fitness BV en zijn wederverkopers zijn niet aansprakelijk voor defecten tengevolge van factoren waarop zij geen invloed kunnen uitoefenen. De garantie betreft alleen de eerste eigenaar van het toestel en is alleen geldig in landen waar een geautoriseerde importeur van Tunturi New Fitness BV is gevestigd. De garantie betreft geen trainingstoestellen of onderdelen die zijn gewijzigd zonder toestemming van Tunturi New Fitness BV. De garantie dekt geen defecten tengevolge van normale slijtage, onjuist gebruik, gebruik in omstandigheden waarvoor het toestel niet is bedoeld, corrosie of schade ontstaan tijdens laden of transport.

De garantie geldt niet voor geluiden die ontstaan door het gebruik, als ze het gebruik van het apparaat niet wezenlijk belemmeren en niet veroorzaakt zijn door een defect aan het apparaat.

De garantie omvat ook geen onderhoudsmaatregelen, zoals reiniging, smering of normale inspectie van onderdelen, noch dergelijke montagewerkzaamheden die de klant zelf kan uitvoeren en die geen speciale demontage en montage van het toestel vereisen. Dit soort maatregelen zijn bijv. vervanging van monitoren, pedalen of andere vergelijkbare eenvoudige onderdelen. Garantieherstel dat is uitgevoerd door een ander dan de geautoriseerde Tunturi-vertegenwoordiger wordt niet vergoed. De garantie geldt alleen voor normaal, voorgeschreven gebruik van het product zoals beschreven in de handleiding.

Technische gegevens

Parameter	Meet- eenheid	Waarde
Netspanning	VAC	210 ~ 240
Spanning frequentie	HZ	50 ~ 60
Snelheid	Niveaus	1 ~ 15
Lengte	Cm	42.0
Breedte	Cm	40.0
Hoogte	Cm	29.0
Gewicht	Kg	4.5
Hartslagmeting beschikbaar via:	handgreepcontact 5.3~ 5.4 Khz. Bluetooth (BLE) ANT+	Nee Nee Nee Nee

Verklaring van de fabrikant

Tunturi New Fitness BV verklaart dat het product voldoet aan de volgende normen en richtlijnen: EN 957 (HC), 2014/30/EU. Het product is derhalve voorzien van het CE-label.

08-2021

Tunturi New Fitness BV
Purmerweg 1
1311 XE Almere
The Netherlands

Disclaimer

© 2021 Tunturi New Fitness BV
Alle rechten voorbehouden.

- Het product en de handleiding zijn aan veranderingen onderhevig.
- Specificaties kunnen zonder verdere kennisgeving worden veranderd.
- Raadpleeg onze website voor de meest recente versie van de gebruikershandleiding.

Italiano

Questo manuale in lingua italiana è una traduzione dalla versione originale del manuale in lingua inglese.
Non si possono trarre diritti di traduzione dalla presente traduzione.

Indice

Benvenuti	32
Precauzioni di sicurezza	32
Sicurezza elettrica.....	33
Illustrazione di descrizione A.....	33
Illustrazione di descrizione B.....	33
Illustrazione di descrizione D.....	33
Informazioni aggiuntive sull'assemblaggio	33
Informazioni aggiuntive.....	33
Utilizzo.....	34
Estrazione del controller.....	34
Riporre il controller.....	34
Utilizzo senza il supporto del motore.....	34
Interruttore di alimentazione principale (fig. E-1)	34
Controller (fig. E-2).....	34
Spiegazione delle voci presenti sulla schermata.....	34
Pulsanti.....	34
Programmi	35
Modalità manuale	35
Programmi preimpostati (P1~P5).....	35
Pulizia e manutenzione	36
Difetti e malfunzionamenti	36
Disturbi durante l'uso	36
Trasporto e stoccaggio	36
Garanzia.....	36
Dati tecnici.....	37
Dichiarazione del fabbricante	37
Clausola di esonero della responsabilità.....	37

Benvenuti

Benvenuti nel mondo di Tunturi Fitness!

Grazie per aver acquistato questo apparecchio Tunturi. Tunturi offre un'ampia gamma di apparecchi per fitness professionale, fra cui crosstrainer, tapis roulant, cyclette, vogatori, panche di forza e multi stazioni. Questo apparecchio Tunturi è adatto per tutta la famiglia, a prescindere dal livello di forma fisica. Per ulteriori informazioni, visitare il sito Web www.tunturi.com

Importanti istruzioni di sicurezza

Questo manuale è una parte essenziale dell'attrezzo da allenamento, si prega di leggere tutte le istruzioni fornite prima di iniziare a utilizzare l'attrezzo. Le seguenti precauzioni devono essere sempre seguite:

Precauzioni di sicurezza

⚠ ATTENZIONE

- Leggere le precauzioni di sicurezza e le istruzioni. La mancata osservanza delle precauzioni di sicurezza e delle istruzioni può causare lesioni personali o danni all'apparecchio. Conservare gli avvisi di sicurezza e le istruzioni per future consultazioni.

⚠ ATTENZIONE

- Il sistema di monitoraggio della frequenza cardiaca può essere impreciso. L'eccessivo esercizio può causare serie lesioni o perfino il decesso. Se si avverte spossatezza, interrompere immediatamente l'allenamento.
- L'apparecchio è adatto esclusivamente per un uso domestico, non professionale. L'apparecchio non è idoneo per scopi commerciali.
 - L'utilizzo massimo è limitato fino a 2 ore al giorno
 - L'uso di questo apparecchio da parte di bambini o persone con handicap fisici, sensoriali, mentali o motori o privi di esperienza e di competenze può causare pericoli. Le persone responsabili per la loro sicurezza devono fornire esplicite istruzioni o supervisionare l'uso dell'apparecchio.
 - Prima di iniziare l'allenamento, consultare un medico per verificare il proprio stato di salute.
 - Se si avvertono nausea, vertigini o altri sintomi anomali, interrompere immediatamente l'allenamento e consultare un medico.
 - Per evitare dolori muscolari e sforzi, iniziare ogni allenamento con una fase di riscaldamento e terminare ogni allenamento con una fase di defaticamento. Ricordarsi di eseguire lo stretching al termine dell'allenamento.
 - L'apparecchio è adatto esclusivamente per un uso in interni. L'apparecchio non è idoneo per un uso all'aperto.
 - Utilizzare l'apparecchio in un ambiente con ventilazione adeguata. Non utilizzare in ambienti esposti alle correnti d'aria per non prendere un raffreddore.
 - Utilizzare l'apparecchio esclusivamente in ambienti con temperature comprese fra 10 °C e 35 °C. Conservare l'apparecchio esclusivamente in ambienti con temperature comprese fra 5 °C e 45 °C.
 - Non utilizzare o riporre l'apparecchio in ambienti umidi. L'umidità dell'aria non deve mai superare l'80%.
 - Utilizzare l'apparecchio solo per lo scopo previsto. Non utilizzare l'apparecchio per scopi diversi da quelli descritti nel manuale.
 - Non usare l'apparecchio se presenta parti danneggiate o difettose. In caso di parti danneggiate o difettose contattare il rivenditore.
 - Mantenere mani, piedi e le altre parti del corpo lontani dalle parti in movimento.
 - Tenere i capelli lontani dalle parti in movimento.
 - Indossare indumenti e scarpe adatti.
 - Mantenere abiti, gioielli e altri oggetti lontani dalle parti in movimento.
 - Controllare che l'apparecchio venga utilizzato da una sola persona alla volta.
 - L'apparecchio non deve essere utilizzato da persone di peso superiore a 100 kg (220 lbs).
 - Non smontare l'apparecchio senza aver consultato il rivenditore..

Sicurezza elettrica

- Prima dell'uso, verificare sempre che la tensione della rete elettrica corrisponda alla tensione riportata sulla targhetta nominale dell'apparecchio.
- Non utilizzare cavi di prolunga.
- Tenere il cavo di alimentazione lontano da fonti di calore, olio e bordi affilati.
- Non alterare o modificare il cavo o la spina di alimentazione.
- Non utilizzare l'apparecchio se il cavo o la spina di alimentazione sono danneggiati o difettosi. Se il cavo o la spina di alimentazione risultano danneggiati o difettosi, contattare il rivenditore.
- Svolgere sempre completamente il cavo di alimentazione
- Non far passare il cavo di alimentazione sotto l'apparecchio. Non far passare il cavo di alimentazione sotto un tappeto. Non collocare alcun oggetto sul cavo di alimentazione.
- Verificare che il cavo di alimentazione non sporga sul bordo di un tavolo. Verificare che il cavo di alimentazione non possa rimanere accidentalmente impigliato o causare inciampanti.
- Non lasciare l'apparecchio incustodito quando la spina di alimentazione è collegata alla presa a muro.
- Non tirare il cavo di alimentazione per rimuovere la spina dalla presa a muro.
- Scollegare la spina di alimentazione dalla presa a muro quando l'apparecchio non è in uso, prima di assemblare o di smontare l'apparecchio o di qualsiasi intervento di pulizia o manutenzione.

AVVERTENZA

- Non utilizzare mai acqua o altri liquidi direttamente sull'attrezzo o vicino ad esso, ma solo un panno umido se serve un po' di umidità per pulire la macchina.
- L'uso diretto di liquidi è dannoso per i componenti dell'attrezzo e può provocare una scossa elettrica causata da un cortocircuito. Ciò potrebbe causare lesioni personali gravi o addirittura la morte.

Istruzioni di montaggio

Illustrazione di descrizione A

L'illustrazione mostra l'aspetto del trainer una volta completato l'assemblaggio.

È possibile utilizzarla come riferimento durante l'assemblaggio, ma è importante seguire sempre i passaggi di assemblaggio nella sequenza corretta come illustrato.

Illustrazione di descrizione B

L'illustrazione mostra quali componenti e parti sono presenti al momento del disimballaggio del prodotto.

NOTA

- Le parti di piccole dimensioni potrebbero trovarsi nascoste o infilate in spazi ristretti nella protezione del prodotto in Styrofoam

Illustrazione di descrizione D

Le illustrazioni mostrano di seguito l'ordine corretto con cui assemblare il trainer nel modo migliore.

ATTENZIONE

- Assemblare l'apparecchio nell'ordine indicato.
- Per trasportare e spostare l'apparecchio sono necessarie almeno due persone.

AVVISO

- Collocare l'apparecchio su una superficie stabile e in piano.
- Collocare l'apparecchio su una base protettiva per evitare danni alla superficie del pavimento.
- Mantenere uno spazio libero di almeno 1 m intorno all'apparecchio.
- Consultare le illustrazioni per il corretto assemblaggio dell'apparecchio.

Informazioni aggiuntive sull'assemblaggio

D2 Come installare i pedali correttamente.

NOTA

- I lati destro e sinistro vengono determinati dalla prospettiva delle posizioni di esercizio.

Pedale destro

Trovare la lettera "R" o "L" sull'asse del pedale

- Installare il pedale destro "R" nella pedivella destra.
- Per prima cosa, ruotare l'asse del pedale manualmente in direzione oraria.
- Utilizzare la chiave inglese per serrare completamente il pedale.

Pedale sinistro

Installare il pedale sinistro "L" nella pedivella sinistra.

- Per prima cosa, ruotare l'asse del pedale manualmente in direzione antioraria.
- Utilizzare la chiave inglese per serrare completamente il pedale.



Cliccare per vedere il nostro video di supporto su YouTube
<https://youtu.be/Devel2ZhCAC>

NOTA

- Conservare tutti gli utensili forniti con questo prodotto, dopo aver completato il montaggio del prodotto, per eventuali necessità di assistenza in futuro.

Informazioni aggiuntive

Smaltimento dell'imballo

Le linee guide governative chiedono di ridurre la quantità di rifiuti smaltiti nelle discariche. Per questo vi chiediamo di smaltire in modo responsabile tutti i rifiuti d'imballo presso dei centri di riciclaggio pubblici.

Smaltimento a fine vita

Noi di Tunturi speriamo che possiate godervi molti anni di piacevole uso dal nostro fitness trainer. Tuttavia, arriverà il momento quando il vostro fitness trainer arriverà alla fine della sua vita utile. Secondo la Legislazione Europea WEEE voi siete responsabili per uno smaltimento appropriato del vostro fitness trainer presso una struttura di raccolta pubblica autorizzata.

Utilizzo

Estrazione del controller

Il controller dell'attrezzatura può essere tolto dalla propria sede e tenuto in mano durante l'allenamento per fare eventuali modifiche secondo le proprie necessità.

- Sollevare con la punta delle dita nella parte inferiore del controller.
- Estrarre delicatamente il controller rimanendo collegati all'attrezzatura tramite un cavo spiralato. (lunghezza del cavo \pm 1,2 metri).
- Il controller si può tenere in mano e usare per effettuare regolazioni durante l'allenamento.

AVVERTENZA

- Attenzione a non fare incastrare il cavo spiralato nelle parti mobili dell'attrezzatura durante l'allenamento.

Riporre il controller

Una volta terminato l'allenamento si raccomanda di riporre nuovamente il controller

- Reinserire il controller nella sede dell'attrezzatura, inserendo prima l'estremità cablata orientata, senza fare movimenti bruschi.
- Il cavo si riavvolgerà e ritornerà nella propria sede, anche se potrebbe essere necessario guidarlo.
- Riporre il controller con un clic, per accertarsi che rimanga al suo posto.

AVVERTENZA

- Il controller dovrebbe inserirsi con facilità nella propria sede senza dover fare troppi sforzi. Se si fa fatica ad inserirlo, verificare che il cavo spiralato sia riposto correttamente e non impedisca al controller di entrare nella propria sede.

Utilizzo senza il supporto del motore

L'attrezzatura può essere utilizzata liberamente senza pericolo di danneggiare le parti interne. In questo caso l'interruttore generale dovrà essere in modalità off, significa che non viene mostrata nessuna velocità e non è presente nessun supporto al movimento.

La resistenza naturale delle parti in movimento all'interno della macchina non può essere cambiata né impostata su un altro livello

Interruttore di alimentazione principale (fig. E-1)

L'apparecchio è dotato di un interruttore di alimentazione principale per spegnere completamente l'apparecchio.

Per avviare l'apparecchio:

- Inserire la spina elettrica nella presa di corrente.
- Mettere l'interruttore principale in posizione on.

Per spegnere l'apparecchio:

- Mettere l'interruttore di alimentazione su off.
- Togliere la spina elettrica dalla presa elettrica.

Controller (fig. E-2)

ATTENZIONE

- Tenere il controller lontano dalla luce diretta del sole.
- Asciugare la superficie del controller se sono presenti gocce di sudore.
- Non appoggiarsi sul controller.
- Toccare i pulsanti del controller solo con la punta delle dita. Attenzione a non toccare il display con le unghie o con oggetti taglienti.

NOTA

- La console non passerà in modalità standby ma rimarrà in modalità accesa.
- Mettere la macchina in modalità "Off" quando non viene utilizzata.

Spiegazione delle voci presenti sulla schermata

Scan [scansione]

- Visualizza automaticamente i parametri di scansione per: Velocità, Tempo, Dist. & Cal.
- Ogni schermata rimarrà attiva per 4 secondi
- Il LED di scansione si accenderà quando la funzione di scansione è attiva.

Speed [velocità]

- Mostra la velocità per livello di impostazione 1~12.
- Il LED della velocità si accenderà quando viene mostrato il parametro della velocità.

Time [tempo]

- Visualizza il tempo percorso in modalità di allenamento.
- Mostra il tempo target quando si è in modalità di programmazione. Unità parametri sul display: 00:00 Minuti.:Secondi
- Il LED del tempo si accende quando viene visualizzato il parametro Tempo.

Dist. (Distanza)

- Mostra il tempo di allenamento residuo sotto forma di conto alla rovescia. Unità parametri sul display: 0.000 KM.Metri.
- Dist. Il LED si accende quando viene mostrato il parametro Distanza.

Cal. (Calorie)

- Mostra le calorie consumate in modalità allenamento. Unità parametri sul display: 000.0 Calorie.
- Cal. Il LED si accende quando viene mostrato il parametro Calorie.

NOTA

- Questi dati vogliono semplicemente essere una guida approssimativa per il confronto fra le diverse sessioni di esercizi e non possono essere utilizzati per eventuali cure mediche

Pulsanti

Start/ Stop

- Avvia l'allenamento selezionato in modalità stop.
- Interrompe l'allenamento attivo quando si è in modalità allenamento.

Mode [Modalità]

- Seleziona la modalità programma in modalità inattiva.
- Confermare l'impostazione per accedere al passaggio successivo in modalità di programmazione.
- Alterna le modalità di visualizzazione quando si è in modalità allenamento.

Time [Tempo]

- Imposta il tempo di allenamento (1 ~ 15 min. ± 1 minuto)
- Premere una volta per aumentare di un minuto, tenere premuto per velocizzare

⚠️ NOTA

- In modalità di programmazione, il tempo può aggiungere solo un minuto ad ogni pressione del pulsante. Una volta raggiunti 15 minuti, l'impostazione ripartirà da 1 minuto per ripetere il conteggio.

Reverse [Inversione]

- Imposta il senso di rotazione del pedale con movimenti all'indietro quando è in impostazione di avanzamento.
- Imposta il senso di rotazione del pedale con movimenti in avanti quando è in impostazione di avanzamento all'indietro.
- Premendo il pulsante "Reverse" in modalità operativa porterà l'attrezzatura ad un arresto regolare, mantiene l'arresto per circa 2 secondi, prima che il motore possa attivare la modalità invertita.

⚠️ NOTA

- Quando l'attrezzatura è in modalità di senso invertito, tutti i pulsanti non sono operativi, fino a quando la macchina non viene rimessa in movimento.

Speed +/- Speed - [Velocità + / Velocità -]

- Premere "Speed +" per aumentare la velocità per la modalità di livello di supporto della velocità di motorizzazione desiderata.
- Premere "Speed -" per diminuire la velocità per la modalità di livello di supporto della velocità di motorizzazione desiderata.
- Premere una volta per aumentare/diminuire di un livello, tenere premuto per velocizzare la digitazione
- Nella tabella qui sotto viene mostrato ogni livello che rappresenta il numero di giri iniziale. (giri al minuto)

Speed	1	2	3	4	5	6	7	8	9	10	11	12
RPM	35	39	43	48	52	56	60	64	68	73	77	80

Speed = Velocità
RPM = Giri/ min.

Programmi

Modalità manuale

L'attrezzatura ha una modalità manuale, dove l'utente è libero di selezionare e regolare il livello di velocità in qualsiasi momento. Per selezionare questa modalità:

- Premere il pulsante "Mode" per aprire la modalità programmazione, il display visualizzerà P1.
- Premere il pulsante "Mode" fino a quando non verrà visualizzato "-.-.-.", come modalità manuale.
- Premere il tasto "Start/ Stop" per iniziare l'allenamento.
- Premere i pulsanti "Speed +/-" per impostare la modalità di supporto della velocità desiderata. L'impostazione predefinita della velocità è 1.
- Premere il pulsante "Time" per impostare il tempo di allenamento desiderato compreso in un intervallo di 1~15 minuti. L'impostazione predefinita del tempo di allenamento è di 10 minuti.

- Premere il pulsante "Speed +/-" come desiderato per impostare la velocità di supporto alla velocità desiderata in ogni momento.
- Premere il pulsante "Reverse" come desiderato per impostare il senso di marcia di supporto in ogni momento.
- Una volta raggiunto il proprio tempo di allenamento prestabilito, la macchina si fermerà lentamente.

Programmi preimpostati (P1~P5)

L'attrezzatura è dotata di 5 programmi preimpostati con profili diversi. Ogni profilo ha un profilo preimpostato nelle variazioni di velocità e direzione.

- Nella tabella qui sotto vengono mostrati i differenti profili pre-programmati. Ogni segmento durerà 30 secondi e continuerà a pedalare fino a quando il tempo di allenamento avrà raggiunto la fine e la macchina si fermerà lentamente.

Direzione		↺	↺	↺	↺	↺	↻	↻	↻	↻	↻
P1	Speed	1	2	3	4	5	1	2	3	4	5
P2	Speed	2	3	4	5	6	2	3	4	5	6
P3	Speed	3	5	7	9	11	3	5	7	9	11
P4	Speed	4	6	8	10	12	4	6	8	10	12
P5	Speed	5	10	5	10	--	5	10	5	10	-

(Speed = Velocità)

Per selezionare il vostro profilo preferito:

- Premere il pulsante "Mode" per aprire la modalità programmazione, il display visualizzerà P1.
- Premere il pulsante "Mode" fino a quando non verrà visualizzata la modalità di profilo desiderata.
- Premere il tasto "Start/ Stop" per iniziare l'allenamento.
- Premere il pulsante "Time" per impostare il tempo di allenamento desiderato compreso in un intervallo di 1~15 minuti. L'impostazione predefinita del tempo di allenamento è di 10 minuti.
- Premere il pulsante "Level +/-" come desiderato per impostare la propria velocità di supporto alla velocità desiderata in ogni momento.
- Premere il pulsante "Reverse" come desiderato per impostare la direzione del movimento di supporto in ogni momento.

⚠️ NOTA

- Se si cambia la velocità o il senso di marcia quando si è in un profilo pre-programmato, si applica solo il cambiamento per il segmento attivo in cui ci si trova, e si mantiene il profilo preimpostato quando si passa al segmento successivo.
- Una volta raggiunto il tempo di allenamento preimpostato, la macchina si fermerà lentamente.

Pulizia e manutenzione

L'apparecchio non richiede manutenzione speciale. L'apparecchio non richiede ricalibrazione quando viene assemblato, utilizzato e sottoposto a assistenza in conformità con le istruzioni.

ATTENZIONE

- Prima di qualsiasi intervento di pulizia o manutenzione, scollegare la spina di alimentazione dalla presa a muro.
 - Non utilizzare solventi per pulire l'apparecchio.
- Pulire l'apparecchio con un panno morbido e assorbente dopo ogni uso.
- Verificare regolarmente che tutte le viti e i dadi siano serrati.
- Se necessario, lubrificare i raccordi.

Difetti e malfunzionamenti

Nonostante il costante controllo di qualità, i singoli componenti possono causare difetti e malfunzionamenti all'apparecchio. Nella maggior parte dei casi, è sufficiente sostituire i componenti difettosi.

- Se l'apparecchio non funziona correttamente, contattare immediatamente il rivenditore.
- Fornire il numero di modello e il numero di serie dell'apparecchio al rivenditore. Comunicare la natura del problema, le condizioni d'uso e la data d'acquisto.

Disturbi durante l'uso

Nonostante un continuo controllo della qualità, l'attrezzatura potrebbe talvolta presentare difetti e malfunzionamenti, causati da qualche singolo componente. Nella maggior parte dei casi, non c'è bisogno di mettersi a far riparare tutta l'attrezzatura, ma generalmente basta sostituire il pezzo o la parte difettosa.

Se l'attrezzo non funziona bene durante l'uso o se si ha bisogno dei pezzi di ricambio, contatta il tuo rivenditore Tunturi indicando che cosa ti tratta, le condizioni in cui lo usi, la data di acquisto, il modello e il numero di serie del tuo attrezzo. Si raccomanda di utilizzare sempre pezzi di ricambio originali.

Se vi servono dei ricambi, fornite sempre il modello, il numero di serie dell'attrezzo e il codice ricambio per il pezzo che vi serve. La lista delle parti di ricambio si trova nella parte posteriore di questo manuale. Utilizzare solo i pezzi di ricambio indicati nella lista delle parti di ricambio.

Codici di errore

Se il display mostra un codice di errore (contrassegnato con "E"/ "DC" + numero), riavviare l'apparecchio e controllare se il display continua a riportare il codice di errore. Se il display continua a riportare il codice di errore, contattare immediatamente il rivenditore.

Trasporto e stoccaggio

AVVERTENZA

- Trasportare e spostare l'attrezzatura con la massima cura.
- Spostare l'attrezzatura e appoggiarla a terra facendo attenzione.
- Posizionare l'attrezzatura su una base protettiva per impedire danni alla superficie del pavimento.
- Spostare e sollevare con cura l'attrezzatura se si trova su superfici non uniformi.
- Non spostare l'attrezzatura afferrandola per i pedali, ma utilizzare l'apposita maniglia sulla parte superiore dell'alloggiamento.
- Conservare l'attrezzatura in un luogo asciutto con la minor variazione di temperatura possibile.

Garanzia

Garanzia dell'attrezzo sportivo Tunturi

Condizioni di garanzia

Il consumatore beneficia dei diritti legali applicabili previsti dalla legislazione nazionale in materia di commercio di beni di consumo. La garanzia non limita tali diritti. La Garanzia dell'acquirente è valida solo se l'articolo viene utilizzato in un ambiente approvato da Tunturi New Fitness BV per quel determinato attrezzo. Le istruzioni relative all'ambiente e di manutenzione specifiche per il prodotto sono riportate nel "manuale utente" del prodotto. Il "manuale utente" può essere scaricato dal nostro sito web. <http://manuals.tunturi.com>

Condizioni per la garanzia

La garanzia entra in vigore dalla data dell'acquisto dell'attrezzo. Le condizioni per la garanzia possono variare in funzione del paese. Rivolgersi al rivenditore di zona per maggiori informazioni sulle condizioni per la garanzia.

Copertura della garanzia

L'azienda Tunturi Ltd ed i suoi rappresentanti non rispondono per nessun motivo dei danni indiretti causati all'acquirente dall'attrezzo. Per danni indiretti s'intendono quelli relativi al mancato sfruttamento dell'attrezzo, mancato guadagno o altri danni di natura economica.

Limiti di garanzia

La garanzia copre i difetti di materiale e fabbrica dell'attrezzo che si manifestano subito dopo l'acquisto. La garanzia copre solo i difetti che si manifestano durante l'uso normale e conforme alle istruzioni del manuale di installazione, manutenzione ed uso fornito da Tunturi. L'azienda Tunturi Ltd ed i suoi rivenditori non rispondono dei danni causati da eventi al di fuori del loro controllo. La garanzia riguarda solo il proprietario originario dell'attrezzo ed è in vigore solo in quei paesi in cui Tunturi Ltd dispone di un proprio rappresentante autorizzato.

La garanzia non copre i difetti di quegli attrezzi o componenti che sono stati modificati senza l'espressa autorizzazione del fabbricante Tunturi Ltd. La garanzia non copre i difetti causati dalla normale usura, da un uso in condizioni non previste, dalla corrosione, dalla movimentazione e dal trasporto.

La garanzia non copre rumori o suoni emessi durante l'uso a meno che non impediscano l'uso dell'attrezzo e che non siano causati da un guasto all'attrezzo stesso.

La garanzia non comprende nemmeno i normali interventi di servizio dell'attrezzo, come per esempio la pulizia, lubrificazione, controllo periodico dei componenti né le piccole installazioni che può effettuare il cliente stesso e che non richiedono lo smontaggio/montaggio dell'attrezzo. Questi interventi sono, per esempio, la sostituzione del pannello, dei pedali o di altri componenti analoghi. La garanzia non copre gli interventi di riparazione previsti, se non vengono eseguiti da un rappresentante autorizzato Tunturi. Se sbagliate a seguire le istruzioni del manuale d'uso, decade subito la garanzia sul prodotto.

Dati tecnici

Parametro	Unità di misura	Valore
Tensione di alimentazione	Vca	210 ~ 240
Frequenza di alimentazione	HZ	50 ~ 60
Velocità	livelli	1 ~ 15
Lunghezza	Cm	42.0
Larghezza	Cm	40.0
Altezza	Cm	29.0
Peso	Kg	4.5
Misurazione della frequenza cardiaca disponibile tramite:	Contatto impugnatura 5,3~ 5,4 Khz. Bluetooth (BLE) ANT+	No No No No

Dichiarazione del fabbricante

Tunturi New Fitness BV dichiara che questo prodotto è conforme ai seguenti standard e direttive: EN 957 (HC), 2014/30/EU. Pertanto sul prodotto è apposto il marchio CE.

08-2021

Tunturi New Fitness BV
Purmerweg 1
1311 XE Almere
Paesi Bassi

Clausola di esonero della responsabilità

© 2021 Tunturi New Fitness BV
Tutti i diritti riservati.

- Il prodotto e il manuale sono soggetti a modifiche.
- Le specifiche tecniche possono essere modificate senza preavviso.
- Vedere il nostro sito Web per la versione del manuale più recente.

Español

Este manual español es una traducción del texto inglés. No se pueden derivar derechos de esta traducción. El texto original en inglés prevalecerá.

Índice

¡Bienvenido	38
Advertencias de seguridad.....	38
Seguridad eléctrica	38
Instrucciones de montaje.....	39
Descripción de la ilustración A.....	39
Descripción de la ilustración B.....	39
Descripción de la ilustración D.....	39
Información adicional de montaje.	39
Información adicional.....	39
Uso	39
Extracción del mando de control.....	39
Almacenamiento del mando de control	40
Uso sin soporte de motor	40
Interruptor de alimentación principal (fig. E-1)	40
Mando de control (fig. E-2).....	40
Explicación de los elementos de la pantalla	40
Botones.....	40
Programas	41
Modo manual.....	41
Programas preajustados (P1~P5)	41
Limpieza y mantenimiento.....	41
Defectos y fallos.....	41
Defectos De Funcionamiento	41
Transporte y almacenamiento.....	42
Garantía.....	42
Datos técnicos	42
Declaración del fabricante	42
Descargo de responsabilidad	42

¡Bienvenido

¡Bienvenido al mundo de Tunturi Fitness!

Le agradecemos la compra de esta máquina Tunturi. Tunturi ofrece una amplia gama de máquinas de fitness profesionales como bicicletas elípticas, cintas de correr, bicicletas de ejercicio, bancos de fuerza y estaciones múltiples. La máquina Tunturi es adecuada para toda la familia, independientemente del nivel de forma física. Si desea información adicional, visite nuestro sitio web www.tunturi.com

Información y precauciones

Este manual es una parte esencial del equipo de entrenamiento. Lea todas las instrucciones de este manual antes de comenzar a utilizar el equipo. Se deberán observar siempre las siguientes precauciones:

Advertencias de seguridad

⚠ ADVERTENCIA

- Lea las advertencias de seguridad y las instrucciones. De no seguirse las advertencias de seguridad y las instrucciones pueden producirse lesiones personales o daños en la máquina. Conserve las advertencias de seguridad y las instrucciones para su consulta posterior.

⚠ ADVERTENCIA

- Los sistemas de motorización de frecuencia cardíaca pueden ser imprecisos. Un exceso de ejercicio puede provocar lesiones graves o incluso la muerte. Si se siente mareado, deje de hacer ejercicio inmediatamente.

- La máquina es adecuada únicamente para uso doméstico. La máquina no es adecuada para un uso comercial.
- El uso máx. Está limitado a 2 horas al día.
- El uso de esta máquina por niños o por personas con una discapacidad física, sensorial o motora, o falta de experiencia y conocimientos, puede dar lugar a situaciones de riesgo. Las personas responsables de su seguridad deben dar instrucciones explícitas o supervisar el uso de la máquina.
- Antes de empezar a hacer ejercicio, consulte con un médico para comprobar su estado de salud.
- Si experimenta náuseas, mareos u otros síntomas anormales, deje de hacer ejercicio inmediatamente y consulte con un médico.
- Para evitar dolor y tensión muscular, realice un calentamiento antes de empezar a hacer ejercicio y termine haciendo relajación. Recuerde hacer estiramientos al final de la sesión de ejercicio.
- La máquina es adecuada únicamente para uso en interior. La máquina no es adecuada para un uso en exterior.
- Utilice la máquina únicamente en lugares con una ventilación adecuada. No utilice la máquina en lugares donde haya corriente para no resfriarse.
- Utilice la máquina únicamente en lugares con una temperatura ambiente entre 10 °C y 35 °C. Almacene la máquina únicamente en lugares con una temperatura ambiente entre 5 °C y 45 °C.
- No utilice ni almacene la máquina en espacios húmedos. La humedad del aire no debe ser superior al 80%.
- Utilice la máquina sólo para su uso previsto. No la utilice para otros fines que no sean los descritos en el manual.
- La máquina no debe utilizarse si alguna de las piezas ha sufrido daños o tiene algún defecto. Contacte con su proveedor si alguna de las piezas ha sufrido daños o tiene algún defecto.
- Mantenga las manos, los pies y demás partes del cuerpo alejadas de las piezas móviles.
- Mantenga el pelo alejado de las piezas móviles.
- Lleve ropa y calzado adecuado.
- Mantenga la ropa, las joyas y otros objetos alejados de las piezas móviles.
- Asegúrese de que sólo una persona utilice la máquina cada vez.
- La máquina no debe ser utilizada por personas cuyo peso supere los 100 kg (220 lbs).
- No abra la máquina sin consultar con su proveedor.

Seguridad eléctrica

- Antes del uso, compruebe siempre que la tensión de red sea la misma que la tensión indicada en la placa de características de la máquina.
- No utilice un cable alargador.

- Mantenga el cable de red alejado del calor, de aceite y de bordes afilados.
- No altere ni modifique el cable de red o el enchufe de red.
- No utilice la máquina si el cable de red o el enchufe de red ha sufrido daños o tiene algún defecto. Si el cable de red o el enchufe de red ha sufrido daños o tiene algún defecto, contacte con su proveedor.
- Desenrolle siempre el cable de red en su totalidad.
- No pase el cable de red debajo de la máquina. No pase el cable de red debajo de una alfombra. No coloque ningún objeto sobre el cable de red.
- Asegúrese de que el cable de red no cuelgue sobre el borde de una mesa. Asegúrese de que el cable de red no quede atrapado y que no sea posible tropezarse con él.
- No deje la máquina desatendida cuando el enchufe de red esté insertado en la toma de pared.
- No tire del cable de red para sacar el enchufe de la toma de pared.
- Retire el enchufe de red de la toma de pared cuando la máquina no se esté utilizando, antes del montaje o el desmontaje o antes de la limpieza y el mantenimiento.

ADVERTENCIA

- No use nunca agua o cualquier otro líquido directamente en o cerca del equipo, utilice solo un paño húmedo si se requiere humedad para limpiar la máquina.
- El uso directo de líquido es perjudicial para los componentes del equipo y puede provocar una descarga eléctrica a causa de un cortocircuito.
Esto podría provocar lesiones personales graves o incluso la muerte.

Instrucciones de montaje

Descripción de la ilustración A

La ilustración muestra cuál debe ser el aspecto de la máquina una vez completado el montaje.

Puede utilizar esta ilustración como referencia durante el montaje, pero siga siempre los pasos de montaje en el orden correcto como se muestra en las ilustraciones.

Descripción de la ilustración B

La ilustración muestra los componentes y las piezas que debe encontrar al desembalar el producto.

ATENCIÓN !!

- Las piezas de pequeño tamaño pueden estar ocultas o embaladas en espacios huecos del sistema de protección de poliestireno extruido del producto

Descripción de la ilustración D

Las ilustraciones muestran cómo montar mejor la máquina en el orden correcto.

ADVERTENCIA

- Monte la máquina en el orden indicado.
- Al menos dos personas deben transportar y mover la máquina.

PRECAUCIÓN

- Coloque la máquina sobre una superficie firme y nivelada.
- Coloque la máquina sobre una base protectora para evitar daños en la superficie del suelo.
- Deje unos 100 cm de espacio alrededor de la máquina.
- Consulte las ilustraciones para el correcto montaje de la máquina.

Información adicional de montaje.

D2 Cómo montar los pedales correctamente.

ATENCIÓN !!

- El lado derecho e izquierdo se determinan desde la perspectiva de las posiciones de ejercicio.

Pedal derecho

Localice la marca "R" o "L" en el eje del pedal

- Monte el pedal derecho "R" en la biela derecha.
- Primero, gire el eje del pedal a mano en sentido de las agujas del reloj.
- Utilice la llave para apretar el pedal por completo.

Pedal izquierdo

Monte el pedal izquierdo "L" en la biela izquierda.

- Primero, gire el eje del pedal a mano en sentido contrario a las agujas del reloj.
- Utilice la llave para apretar el pedal por completo.



Haga clic para ver nuestro video de ayuda en YouTube
<https://youtu.be/Devel2ZhCAc>

NOTA

- Guarde las herramientas suministradas con este producto una vez que haya completado el montaje del producto, para futuros fines de servicio.

Información adicional

Eliminación de embalajes

Las pautas gubernamentales exigen reducir la cantidad de residuos que se depositan en los basureros. Por este motivo, le rogamos que deseche los embalajes de manera responsable en centros públicos de reciclaje.

Eliminación al final de la vida útil

Desde Tunturi esperamos que disfrute de su equipo de entrenamiento durante muchos años. No obstante, llegará un momento en que éste llegue al final de su vida útil. Conforme a la Directiva WEEE (relativa a la gestión de residuos procedentes de equipos eléctricos y electrónicos) le corresponde a usted la responsabilidad de desechar adecuadamente su equipo de entrenamiento en un centro público autorizado de recogida.

Uso

Extracción del mando de control

El mando de control del equipo puede extraerse del lugar de almacenamiento y sujetarse en las manos durante el entrenamiento para realizar cambios de entrenamiento cómodamente.

- Levante con la punta del dedo la parte inferior del mando.
- Extraiga suavemente el mando conectado al equipo con un cable rizado tipo teléfono. (\pm 1,2 m de longitud de cable).
- El mando puede sujetarse en las manos y utilizarse para realizar ajustes durante el entrenamiento.

ADVERTENCIA

- Evite que el cable rizado tipo teléfono pueda quedar atrapado por las partes móviles del equipo durante el entrenamiento.

Almacenamiento del mando de control

Una vez finalizado el entrenamiento, se recomienda volver a guardar el mando de control

- Devuelva el mando al lugar de almacenamiento del equipo, colocando primero el extremo con cable del mando con un movimiento suave.
- El cable volverá a rebobinarse y se introducirá de nuevo en el lugar de almacenamiento. Puede ser necesario guiarlo.
- Encaje el mando en su lugar para asegurarse de que permanezca en su sitio.

⚠ ADVERTENCIA

- El mando debe encajar fácilmente en el lugar de almacenamiento sin demasiado esfuerzo. Si se necesita demasiado esfuerzo, compruebe si el cable rizado tipo teléfono está guardado correctamente y no impide que el mando encaje en su lugar.

Uso sin soporte de motor

El equipo puede utilizarse libremente sin peligro de producir daños internos. Si el interruptor principal está en modo apagado, no habrá visualización de velocidad ni ayuda para el movimiento.

La resistencia natural de las piezas móviles del interior de la máquina no puede modificarse ni ajustarse a otro nivel

Interruptor de alimentación principal (fig. E-1)

La máquina está equipada con un interruptor de alimentación principal para poder a pagarla completamente.

Para poner en marcha la máquina:

- Inserte el enchufe de red en la toma de pared.
- Sitúe el interruptor de alimentación principal en la posición de encendido (ON).

Para parar la máquina:

- Sitúe el interruptor de alimentación principal en la posición de apagado (OFF).
- Retire el enchufe de red de la toma de pared.

Mando de control (fig. E-2)

⚠ PRECAUCIÓN

- Mantenga el mando de control lejos de la luz solar directa.
- Seque la superficie del mando cuando se cubra de gotas de sudor.
- No se apoye sobre el mando.
- Toque los botones del mando únicamente con la punta del dedo. Asegúrese de que no tocar la pantalla con las uñas ni objetos afilados.

⚠ ATENCIÓN !!

- La consola no cambiará en modo de espera, sino que permanecerá en modo encendido.
- Apague (Off) la máquina cuando no se utilice.

Explicación de los elementos de la pantalla

Escaneo

- Explora automáticamente las pantallas de parámetros siguientes: Velocidad, Tiempo, Dist. y Cal.
- Cada pantalla se mantiene durante 4 segundos.
- El LED de escaneo se encenderá cuando la función de escaneo esté activa.

Velocidad

- Muestra la velocidad en el nivel de ajuste 1~12.
- El LED de velocidad se encenderá cuando se muestre el parámetro de velocidad.

Tiempo

- Muestra el tiempo de carrera en modo de entrenamiento.
- Muestra el tiempo objetivo cuando se encuentra en modo de programación.
Unidades de los parámetros: 00:00 Minutos.:Segundos
- El LED de tiempo se encenderá cuando se muestre el parámetro de tiempo.

Dist. (Distancia)

- Muestra el tiempo de entrenamiento restante en modo de cuenta atrás.
Unidades de los parámetros: 0,000 KM.Metros.
- Dist. El LED se encenderá cuando se muestre el parámetro Distancia.

Cal. (Calorías)

- Muestra las calorías consumidas en modo de entrenamiento.
Unidades de los parámetros: 000,0 Calorías.
- Cal. El LED se encenderá cuando se muestre el parámetro Calorías.

⚠ ATENCIÓN !!

- Estos datos sirven como guía para comparar distintas sesiones de ejercicio, pero no se pueden utilizar en tratamientos médicos

Botones

Start/Stop

- Iniciar el entrenamiento seleccionado en modo de parada.
- Pausar la sesión activa en modo de entrenamiento.

Mode

- Seleccionar el modo de programa en el modo de reposo.
- Confirme el ajuste para acceder al siguiente paso del modo de programación.
- Permite cambiar de modo de visualización en modo de entrenamiento.

Time

- Ajustar el tiempo de entrenamiento (1 ~ 15 min. ± 1 minuto)
- Pulse una vez para aumentar un minuto, mantenga pulsado para acelerar los datos introducidos

⚠ ATENCIÓN !!

- En el modo de programación, el tiempo solo puede aumentar un minuto con cada pulsación del botón. Al llegar a 15 minutos, el ajuste comenzará de nuevo en 1 minuto para repetir de nuevo el ciclo de recuento ascendente.

Reverse

- Ajustar la dirección de rotación del pedal hacia atrás cuando el ajuste es hacia adelante.
- Ajustar la dirección de rotación del pedal hacia adelante cuando el ajuste es hacia atrás.
- Al pulsar el botón "Reverse" en el modo de funcionamiento, el equipo se detendrá suavemente manteniendo la parada durante unos 2 segundos antes de que se pueda activar el modo de inversión.

⚠ ATENCIÓN !!

- Cuando el equipo está en modo de inversión de dirección, todos los botones dejarán de estar operativos hasta que la máquina se ponga de nuevo en movimiento.

Speed +/- Speed -

- Pulse "Speed +" para aumentar la velocidad deseada del modo de nivel de ayuda de velocidad de motorización.
- Pulse "Speed -" para disminuir la velocidad deseada del modo de nivel de ayuda de velocidad de motorización.
- Pulse una vez para aumentar/disminuir un nivel, mantenga pulsado para acelerar los datos introducidos
- En la tabla siguiente se muestra cada nivel que representa las rpm iniciales (rotaciones por minuto).

Speed	1	2	3	4	5	6	7	8	9	10	11	12
RPM	35	39	43	48	52	56	60	64	68	73	77	80

Speed = Velocidad

RPM = Rotaciones por minuto

Programas

Modo manual

El equipo dispone de un modo manual, en el que el usuario puede seleccionar y ajustar libremente el nivel de velocidad en cualquier momento. Para seleccionar este modo:

- Pulse el botón "Mode" para abrir el modo de programación, la pantalla mostrará P1.
- Pulse el botón "Mode" hasta que aparezca "-.-.-.-.", que es el modo manual.
- Pulse el botón "Start/ Stop" para empezar el entrenamiento.
- Pulse los botones "Speed +/-" para ajustar el modo de ayuda de velocidad deseado. El ajuste de velocidad por defecto es 1.
- Pulse el botón "Time" para ajustar el tiempo de entrenamiento deseado dentro de un intervalo de 1~15 minutos. El ajuste de tiempo de entrenamiento por defecto es de 10 minutos.
- Pulse el botón "Speed +/-" como desee para ajustar la velocidad de apoyo a su velocidad deseada en cualquier momento.
- Pulse el botón "Reverse" como desee para fijar la dirección del movimiento de apoyo en cualquier momento.
- Cuando se alcanza el tiempo de entrenamiento preajustado, la máquina se detiene suavemente.

Programas preajustados (P1~P5)

El equipo cuenta con 5 programas preajustados con diferentes perfiles.

Cada perfil contiene un perfil preajustado de variaciones de velocidad y dirección.

- En la tabla siguiente se muestra cada perfil preprogramado. Cada segmento tendrá una duración de 30 segundos y continuará en ciclo hasta que el tiempo de entrenamiento haya llegado al final y la máquina se detenga suavemente.

Dirección		↺	↺	↺	↺	↺	↻	↻	↻	↻	↻
P1	Speed	1	2	3	4	5	1	2	3	4	5
P2	Speed	2	3	4	5	6	2	3	4	5	6
P3	Speed	3	5	7	9	11	3	5	7	9	11
P4	Speed	4	6	8	10	12	4	6	8	10	12
P5	Speed	5	10	5	10	--	5	10	5	10	-

(Speed = Velocidad)

Para seleccionar su perfil preferido:

- Pulse el botón "Mode" para abrir el modo de programación, la pantalla mostrará P1.
 - Pulse el botón "Mode" hasta que aparezca el modo de perfil deseado.
 - Pulse el botón "Start/ Stop" para empezar el entrenamiento.
 - Pulse el botón "Time" para ajustar el tiempo de entrenamiento deseado dentro de un intervalo de 1~15 minutos. El ajuste de tiempo de entrenamiento por defecto es de 10 minutos.
 - Pulse el botón "Level +/-" para ajustar la velocidad de apoyo a su velocidad deseada en cualquier momento.
 - Pulse el botón "Reverse" como desee para fijar la dirección del movimiento de apoyo en cualquier momento.
- !! ATENCIÓN !!**
- Cuando se cambia la velocidad o el sentido de la marcha estando en un perfil preprogramado, el cambio se aplicará únicamente al segmento activo en el que se encuentra, y continuará siguiendo el perfil preajustado al cambiar al siguiente segmento de perfil.
 - Cuando se alcanza el tiempo de entrenamiento preajustado, la máquina se detiene suavemente.

Limpieza y mantenimiento

La máquina no requiere un mantenimiento especial. No es necesario recalibrar la máquina cuando ésta se ha montado, utilizado y mantenido según las instrucciones.

⚠ ADVERTENCIA

- Antes de la limpieza y el mantenimiento, retire el enchufe de red de la toma de pared.
- No utilice disolventes para limpiar la máquina.
- Limpie la máquina con un paño suave y absorbente tras cada uso.
- Compruebe periódicamente que todos los tornillos y las tuercas estén apretados.
- En caso necesario, lubrique las juntas.

Defectos y fallos

A pesar del control de calidad continuo, la máquina puede presentar defectos y fallos ebidos a piezas individuales. En la mayoría de los casos, será suficiente sustituir la pieza defectuosa.

- Si la máquina no funciona correctamente, contacte inmediatamente con su proveedor.
- Facilite al proveedor el número de modelo y el número de serie de la máquina. Indique la naturaleza del problema, las condiciones de uso y la fecha de compra.

Defectos De Funcionamiento

Pese al continuo control de calidad que realizamos, el equipo puede presentar defectos o malfuncionamientos debidos a fallos en componentes individuales. En la mayoría de los casos no es necesario llevar todo el equipo a reparar, y generalmente es suficiente con reemplazar la parte defectuosa.

Si el equipo no funciona correctamente durante su uso, tome contacto inmediatamente con su proveedor Tunturi. Relate la naturaleza del problema, las condiciones de uso, la fecha de compra, el modelo y el número de serie.

En el reverso de esta guía encontrará la lista de piezas. Utilice sólo piezas de repuesto mencionadas en la lista de piezas de repuesto.

Códigos de error

Si la pantalla muestra un código de error (marcado con "E"/ "DC" + número), reinicie la máquina y compruebe si la pantalla sigue mostrando el código de error. Si la pantalla sigue mostrando el código de error, contacte inmediatamente con su proveedor.

Transporte y almacenamiento

⚠ ADVERTENCIA

- Transporte y mueva el equipo con cuidado.
- Mueva el equipo y bájelo con cuidado.
- Coloque el equipo sobre una base protectora para evitar que se dañe la superficie del suelo.
- Mueva y levante el equipo con cuidado sobre superficies irregulares.
- No mueva el equipo agarrando los pedales. Utilice el asa correspondiente de la parte superior de la carcasa.
- Guarde el equipo en un lugar seco y con la menor variación de temperatura posible.

Garantía

Garantía del propietario del equipo Tunturi

Condiciones de la garantía

El cliente tiene derecho a los beneficios jurídicos aplicables recogidos en la legislación nacional relativa al comercio de bienes de consumo. Esta garantía no restringe dichos beneficios. La garantía del cliente solo será válida si se utiliza el producto en un entorno autorizado por Tunturi New Fitness BV y se mantiene tal como se indica para el equipo concreto. Las instrucciones de mantenimiento y medioambientales aprobadas específicas del producto se indican en el "manual del usuario" del producto. El "manual de usuario" se puede descargar en nuestro sitio web. <http://manuals.tunturi.com>

Términos de la garantía

Los términos de la garantía comenzarán el día de la compra. Los términos de garantía pueden variar por país, así que consulte con su distribuidor local para ver cuáles son los términos de la garantía.

Cobertura de la garantía

Tunturi New Fitness BV o los distribuidores Tunturi no responderán en ninguna circunstancia a causa de esta garantía por los eventuales daños indirectos, secundarios, resultantes o especiales de ningún tipo derivados del uso o la imposibilidad de uso de este equipo.

Restricciones a la garantía

La garantía cubre los fallos debidos a la fabricación y los materiales en un equipo de ejercicio que esté en su ensambladura original. La garantía cubre solamente defectos que se manifiesten durante un uso normal, conforme a las instrucciones dadas en la guía suministrada con el equipo, a condición de que se hayan observado las instrucciones de montaje, mantenimiento y utilización proporcionadas por Tunturi. Tunturi New Fitness BV y los distribuidores Tunturi no pueden responder de fallos ocasionados por circunstancias ajenas a su control. La presente garantía sólo es válida para el comprador original del equipo de ejercicio y tiene vigencia solamente en los países en los que Tunturi New Fitness BV cuenta con un importador autorizado.

La garantía no cubre los equipos de ejercicio o sus partes que hayan sido modificados sin el consentimiento previo de Tunturi New Fitness BV. La garantía no cubre fallos derivados del desgaste normal, de un uso indebido, de su uso en condiciones para las que el equipo no ha sido concebido, corrosión o daños sufridos durante la carga o el transporte.

La garantía no cubre los sonidos o ruidos emitidos durante el uso que no impidan de forma sustancial la utilización del equipo y que no estén provocados por un fallo del mismo

La garantía no cubre las actividades de mantenimiento tales como limpieza, lubricación o el ajuste normal de las piezas, ni los procedimientos de instalación que el cliente pueda realizar por sí mismo y que no requieran un desmontaje / montaje especial del equipo de ejercicio. Estos procedimientos son, por ejemplo, el cambio de contadores, pedales o de otras piezas simples similares. No se reembolsarán las reparaciones realizadas durante el periodo de garantía por agentes no autorizados por Tunturi. Si no se siguen adecuadamente las instrucciones dadas en el Manual del Propietario se invalidará la garantía del producto.

Datos técnicos

Parámetro	Unidad de medición	Valor
Tensión de red	VAC	210 ~ 240
Frecuencia de red	HZ	50 ~ 60
Velocidad	Niveles	1 ~ 15
Longitud	Cm	42.0
Anchura	Cm	40.0
Altura	Cm	29.0
Peso	Kg	4.5
Medición de la frecuencia auditiva disponible a través de:	Contacto de la empuñadura 5,3 ~ 5,4 KHz. Bluetooth (BLE) ANT +	No No No No

Declaración del fabricante

Tunturi New Fitness BV declara que el producto es conforme con las siguientes normas y directivas: EN 957 (HC), 2014/30/EU. Por tanto, el producto dispone de marcado CE.

08-2021

Tunturi New Fitness BV
Purmerweg 1
1311 XE Almere
The Netherlands

Descargo de responsabilidad

© 2021 Tunturi New Fitness BV
Reservados todos los derechos.

- Tanto el producto como el manual están sujetos a modificaciones.
- Las modificaciones se pueden cambiar sin aviso.
- Consulte nuestra página web para descargar la versión del manual de usuario más reciente.

På svenska

Denna handbok är en översättning av den engelska texten. Vi förbehåller oss rätten till eventuella översättningsfel. Den engelska originaltexten råder.

Index

Välkommen.....	43
Säkerhetsvarningar.....	43
Elsäkerhet.....	43
Monteringsanvisningar	44
Beskrivning illustration A.....	44
Beskrivning illustration B.....	44
Beskrivning illustration D.....	44
Ytterligare monteringsinformation	44
Ytterligare information	44
Användning	44
Ta ut kontrollenheten	44
Förvaring av kontrollenheten	44
Använd utan motorstöd	45
Huvudströmbrytare (fig. E-1).....	45
Kontrollenhet (fig. E-2).....	45
Förklaring av skärmalternativ	45
Knappar.....	45
Programs [Program]	46
Manual mode [Manuellt läge]	46
Förinställda program (P1~P5).....	46
Rengöring och underhåll	46
Fel och funktionsstörningar.....	46
Störningar Vid Användning	46
Transport och förvaring	46
Garanti.....	47
Teknisk information	47
Försäkran från tillverkaren	47
Friskrivning.....	47

Välkommen

Välkommen till Tunturi Fitness värld!

Tack för att du köpte denna utrustning från Tunturi. Tunturi erbjuder ett stort utbud av professionell träningsutrustning, exempelvis crosstrainers, löpband, träningscyklar, roddmaskiner, styrka bänkar och flera stationer. Utrustning från Tunturi passar hela familjen, oavsett träningsnivå. Mer information finns på vår webbplats, www.tunturi.com

Viktiga instruktioner om säkerhet

Denna handbok är en viktig del av din träningsutrustning. Läs alla instruktioner i den här handboken innan du börjar använda denna utrustning. Följande försiktighetsåtgärder måste alltid följas:

Säkerhetsvarningar**⚠ VARNING**

- Läs säkerhetsvarningarna och instruktionerna. Om inte säkerhetsvarningarna och instruktionerna följs kan det medföra skador på personer eller utrustningen. Behåll säkerhetsvarningarna och instruktionerna för framtida bruk.

⚠ VARNING

- System för övervakning av hjärtfrekvensen är inte alltid exakta. Överträning kan medföra allvarlig skada eller död. Sluta omedelbart att träna om du känner dig svag.

- Utrustningen är endast anpassad för hemmabruk. Utrustningen är inte anpassad
- Maximal användning är begränsad till 2 timmar per dag.
- Om utrustningen används av barn eller personer med fysiska, sensoriska, mentala eller motoriska handikapp, eller som saknar erfarenhet och kunskap, kan detta medföra risker. Personer som är ansvariga för deras säkerhet måste ge tydliga instruktioner, eller övervaka användningen av utrustningen.
- Innan du påbörjar din träning, uppsök en läkare som kan kontrollera din hälsa.
- Om du upplever illamående, yrsel eller andra onormala symptom, avsluta genast din träning och kontakta en läkare.
- Börja varje träningspass med att värma upp och avsluta varje träningspass med nedvarning för att undvika muskelsmärter och sträckningar. Kom ihåg att stretcha i slutet av träningen.
- Utrustningen är endast anpassad för användning inomhus. Utrustningen är inte anpassad för användning utomhus.
- Använd endast utrustningen i miljöer med god ventilation. Använd inte utrustningen i dragiga miljöer för att undvika att bli förkyld.
- Använd endast utrustningen i miljöer med temperatur mellan 10 °C och 35 °C. Förvara endast utrustningen i miljöer med temperatur mellan 5 °C och 45 °C.
- Använd inte och förvara inte utrustningen i fuktig miljö. Luftfuktigheten får aldrig överstiga 80%.
- Använd endast utrustningen för dess avsedda ändamål. Använd inte utrustningen för andra ändamål än de som beskrivs i handboken.
- Använd inte den här utrustningen om någon del är trasig eller skadad. Om någon del är trasig eller skadad, kontakta din återförsäljare.
- Håll undan händer, fötter och andra kroppsdelar från de rörliga delarna.
- Håll undan håret från de rörliga delarna.
- Bär passande kläder och skor.
- Håll undan kläder, smycken och andra föremål från de rörliga delarna.
- Låt bara en person åt gången använda utrustningen.
- Utrustningen får inte användas av personer som väger mer än 100 kg (220 lbs).
- Öppna inte utrustningen utan att kontakta din återförsäljare.

Elsäkerhet

- Före användning, kontrollera alltid att nätspänningen är densamma som spänningen på utrustningens märkplåt.
- Använd inte en förlängningssladd.
- Håll strömkabeln borta från värme, olja och vassa kanter.
- Ändra inte strömkabeln eller kontakten.

- Använd inte utrustningen om strömkabeln eller kontakten är trasig eller skadad. Om strömkabeln eller kontakten är trasig eller skadad, kontakta din återförsäljare.
- Rulla alltid ut strömkabeln helt.
- Dra inte strömkabeln under utrustningen. Dra inte strömkabeln under en matta. Placera inte några föremål på strömkabeln.
- Kontrollera att strömkabeln inte hänger över en bordskant. Kontrollera att strömkabeln inte kan komma åt avsiktligt eller snubblas över.
- Lämna inte utrustningen obevakad med kontakten instoppad i vägguttaget.
- Dra inte i strömkabeln för att avlägsna kontakten från vägguttaget.
- Avlägsna stickkontakten från vägguttaget när utrustningen inte används, innan den monteras eller monteras isär och innan den rengörs eller underhålls.

VARNING

- Använd aldrig vatten eller någon annan vätska direkt på eller i närheten av utrustningen, utan använd endast en fuktig trasa om du behöver rengöra maskinen med fukt.
- Att använda vätska direkt är skadligt för utrustningens komponenter och kan leda till en elstöt orsakad av en kortslutning. Detta kan leda till allvarlig personskada eller till och med dödsfall.

Monteringsanvisningar

Beskrivning illustration A

På illustrationen kan du se hur träningsredskapet ska se ut efter att monteringen har slutförts.

Du kan använda illustrationen som referens under monteringen, men följ alltid stegen i monteringsinstruktionerna i rätt ordning.

Beskrivning illustration B

På illustrationen kan du se vilka komponenter och delar som du ska hitta när du packar upp produkten.

OBS!

- Små delar kan ligga gömda/vara nedpackade i ihåliga utrymmen i produktskyddet av polystyren.

Beskrivning illustration D

På illustrationerna visas i rätt ordning hur träningsredskapet ska monteras på bästa sätt.

VARNING

- Montera utrustningen i angiven ordning.
- Var två om att bära och förflytta utrustningen.

OBS.

- Placera utrustningen på en stabil och jämn yta.
- Placera utrustningen på en skyddande grund för att förhindra att golvet skadas.
- Lämna åtminstone 100 cm fritt runt utrustningen.
- Illustrationerna visar det korrekta sättet att montera utrustningen.

Ytterligare monteringsinformation

D2 Hur ska pedalerna sättas fast korrekt.

OBS!

- Höger och vänster anges sett utifrån hur du sitter när du tränar.

Högra pedalen

Leta efter markeringen "R" eller "L" på pedalaxeln

- Fäst den högra pedalen "R" på det högra vevpartiet.
- Vrid först pedalaxeln medurs för hand.
- Använd skiftnyckeln för att dra fast pedalen ordentligt.

Vänstra pedalen

- Fäst den vänstra pedalen "L" på det vänstra vevpartiet.
- Vrid först pedalaxeln moturs för hand.
- Använd skiftnyckeln för att dra fast pedalen ordentligt.



Klicka för att se vår stödjande YouTube-video
<https://youtu.be/Devel2ZhCac>

ANMÄRKNING

- Spara verktygen som följer med denna produkt när monteringen är klar så att du kan använda dem för framtida servicearbeten.

Ytterligare information

Bortskaffande av förpackning

Riktlinjer från myndigheter uppmanar att vi minskar mängden avfall som placeras i deponier. Vi ber dig därför att bortskaffa allt förpackningsavfall på ett ansvarsfullt sätt på allmänna återvinningscentraler.

Bortskaffande av uttjänt redskap

Vi på Tunturi hoppas att du får många års trevlig användning av ditt träningsredskap. Men det kommer en tid när ditt träningsredskap är uttjänt. Enligt den europeiska WEEE-lagstiftningen, ansvarar du för korrekt bortskaffande av ditt träningsredskap på en allmän återvinningsanläggning.

Användning

Ta ut kontrollenheten

Kontrollenheten kan tas ut från förpackningen och hållas i händerna under träningen för att bekvämt göra träningsändringar under träningspasset.

- Lyft ut med fingerspetsen längst ner på kontrollen.
- Dra försiktigt ut kontrollenheten samtidigt som du är ansluten till utrustningen med den krulliga telefonledningen. (± 1,2 mtr. kabellängd).
- Kontrollen kan hållas i händerna och användas för träningsjusteringar under träningen.

VARNING

- Undvik att den krulliga telefonledningen fastnar i utrustningens rörliga delar under träningen.

Förvaring av kontrollenheten

När du har avslutat ditt träningspass rekommenderas att du lägger tillbaka kontrollenheten i förpackningen igen

- För tillbaka kontrollenheten till förpackningen, den riktade trådbundna änden av kontrollenheten först, i en mjuk rörelse.
- Sladden kommer att spolas tillbaka och dras in i förpackningen, viss hjälp kan behövas.
- Tryck in kontrollenheten med ett klick för att säkerställa att den sitter kvar.

⚠ VARNING

- Kontrollenheten ska enkelt passa in i förpackningen utan att den måste forceras. Om den måste forceras, kontrollera om den krulliga telefonkabeln är korrekt förpackad och inte hindrar kontrollenheten från att passa in i förpackningen.

Använd utan motorstöd

Utrustningen kan fritt användas utan fara för interna skador. Det kräver att huvudströmbrytaren är i avstängt läge, vilket innebär att det inte finns någon hastighetsvisning och inget rörelsestöd. Det naturliga motståndet hos de rörliga delarna inuti maskinen kan inte ändras eller ställas in på någon annan nivå

Huvudströmbrytare (fig. E-1)

Utrustningen är utrustad med en huvudströmbrytare för att helt stänga av utrustningen.

Starta utrustningen:

- Anslut stickkontakten till vägguttaget.
- Sätt huvudströmbrytaren i läge "på" (ON).

Stoppa utrustningen:

- Sätt huvudströmbrytaren i läge "av" (OFF).
- Avlägsna stickkontakten från vägguttaget.

Kontrollenhet (fig. E-2)**⚠ VARNING**

- Håll kontrollenheten borta från direkt solljus.
- Torka ytan på kontrollenheten om den täcks med svett droppar.
- Luta dig inte mot kontrollen.
- Rör endast kontrollens knappar med fingertoppen. Se till att du inte vidrör skärmen med dina fingernaglar eller vassa föremål.

⚠ OBS

- Konsolen växlar inte i standby-läge utan förblir i på-läge.
- Ställ in maskinen på av-läge när den inte används.

Förklaring av skärmalternativ**Scan [Skanna]**

- Skanna parametervisningar automatiskt för: Hastighet, Tid, Avstånd. & Kcal.
- Varje display kommer att visas i 4 sekunder.
- Skanning-LED lyser när skanningsfunktionen är aktiv.

Speed [Hastighet]

- Visar hastigheten på inställningsnivå 1~12.
- Hastighets-LED lyser när hastighetsparametern visas.

Time [Tid]

- Visar löptid i träningsläget.
- Visar måltiden när i programläge.
Visar parameterenheter 00:00 Minuter:sekunder
- Tids-LED tänds när Tidsparametern visas.

Dist. Distance [Avstånd]

- Visar återstående träningstid i nedräkningsläge.
Visa parameterenheter: 0.000 Km.Meter.
- Dist. LED-lampan tänds när Avståndparametern visas.

Cal. Calories [Kalorier]

- Visar förbrukade kalorier i träningsläget.
Visar parameterenheter 000,0 kalorier.
- Cal. LED-lampan tänds när kaloriparametern visas.

⚠ OBS

- Dessa data är en grov vägledning för att jämföra olika träningspass och kan inte användas för medicinsk behandling.

Knappar**Start/Stop [Starta/stoppa]**

- Starta det valda träningspasset i stoppläge.
- Stoppa aktiv träning när du är i träningsläge.

Mode [Läge]

- Välj programläge i viloläge.
- Bekräfta inställningen för att gå vidare till nästa steg i programläget.
- Byt visningsläge när du är i träningsläge.

Time [Tid]

- Ställ in tid för träning (1 ~ 15 min. ± 1 minut)
- Tryck en gång för att öka en minut, tryck och håll ned för att påskynda inmatningen

⚠ OBS

- I programläget kan tiden bara räknas med en minut för varje knapptryckning. När det nått 15 minuter kommer inställningen att börja om igen från 1 minut för att upprepa uppräkningscykeln.

Omvänd

- Ställ in pedalens rotationsriktning bakåt när du är i framåtläge.
- Ställ in pedalens rotationsriktning i framåtrörelse när du är i bakåtläge.
- Genom att trycka på "Reverse"-knappen i driftläge kommer utrustningen att stanna mjukt och stanna helt i ca 2 sekunder, innan motorn kan reverseringsläget aktiveras.

⚠ OBS

- När utrustningen är i omvänt läge fungerar inte alla knappar förrän maskinen sätts i rörelse igen.

Hastighet +/ Hastighet -

- Tryck på "Speed +" för att öka hastigheten till önskad motorhastighet.
- Tryck på "Speed -" för att minska hastigheten till önskad motorhastighet.
- Tryck en gång för att öka/minska en nivå, tryck och håll ned för att påskynda inmatningen
- Tabellen nedan visar varje nivå som representerar det inledande varvtalet. (varv per minut)

Speed	1	2	3	4	5	6	7	8	9	10	11	12
RPM	35	39	43	48	52	56	60	64	68	73	77	80

Speed = Hastighet**RPM = Varv per minut**

Programs [Program]

Manual mode [Manuellt läge]

Utrustningen har ett manuellt läge, där användaren kan välja och justera hastighetsnivån när som helst. För att välja detta läge:

- Tryck på knappen "MODE" för att öppna programläget. Skärmen visar P1.
- Tryck på "Mode"-knappen tills "-.-.-.-" visas, som manuellt läge.
- Tryck på knappen "Start/ Stop" för att starta träningspasset.
- Tryck på "Speed +/-"-knapparna för att ställa in önskat hastighetsläge. Standardhastigheten är 1.
- Tryck på "Time"-knappen för att ställa in önskad träningstid inom intervallet 1~15 minuter. Standardinställningen för träningstid är 10 minuter.
- Tryck på knappen "Start/ Stop" [STARTA] för att starta ditt träningspass.
- Tryck på "Speed +/-"-knappen när du vill ställa in din stödhastighet.
- Tryck på "Reverse"-knappen när du vill ställa in din stödriktning när som helst.
- När du har nått din förinställda träningstid kommer maskinen att stanna mjukt.

Förinställda program (P1~P5)

Utrustningen har 5 förinställda program med olika profiler. Varje profil har en förinställd profil med hastighets- och riktningvariationer.

- Tabellen nedan visar varje förprogrammerad profil. Varje segment varar i 30 sekunder och fortsätter tills träningstiden har nått slutet och maskinen stannar mjukt.

	Riktning	↺	↺	↺	↺	↺	↻	↻	↻	↻	↻
P1	Speed	1	2	3	4	5	1	2	3	4	5
P2	Speed	2	3	4	5	6	2	3	4	5	6
P3	Speed	3	5	7	9	11	3	5	7	9	11
P4	Speed	4	6	8	10	12	4	6	8	10	12
P5	Speed	5	10	5	10	--	5	10	5	10	-

(Speed = Hastighet)

Så här väljer du din föredragna profil:

- Tryck på knappen "MODE" för att öppna programläget. Skärmen visar P1.
- Tryck på "Mode"-knappen tills önskat profilläge visas.
- Tryck på knappen "Start/ Stop" för att starta träningspasset.
- Tryck på "Time"-knappen för att ställa in önskad träningstid inom intervallet 1~15 minuter. Standardinställningen för träningstid är 10 minuter.
- Tryck på knappen "Start/ Stop" [STARTA] för att starta ditt träningspass.
- Tryck på knappen "Level +/-" när du vill ställa in hastigheten till önskad hastighet när som helst.
- Tryck på "Reverse"-knappen när du vill ställa in din stödriktning när som helst.

⚠ OBS

- När du ändrar hastigheten eller körriktningen när du befinner dig i en förprogrammerad profil kommer den endast att tillämpa ändringen för det aktiva segmentet du är i, och kommer att fortsätta följa den förinställda profilen när du byter till nästa profilsegment.

- När du har nått din förinställda träningstid kommer maskinen att stanna mjukt.

Rengöring och underhåll

Utrustningen kräver inte något särskilt underhåll. Utrustningen kräver inte omkalibrering när den monteras, används eller servas i enlighet med instruktionerna.

⚠ VARNING

- Innan rengöring och underhåll, avlägsna stickkontakten från vägguttaget.
- Använd inte lösningsmedel för att rengöra utrustningen.
- Rengör utrustningen med en mjuk och absorberande trasa efter varje användning.
- Kontrollera regelbundet att alla skruvar och muttrar är åtdragna.
- Smörj vid behov.

Fel och funktionsstörningar

Trots ständig kvalitetskontroller, kan fel och funktionsstörningar inträffa som orsakas av enstaka delar. I de flesta fallen räcker det med att byta ut den felaktiga delen.

- Om utrustningen inte fungerar korrekt, kontakta omedelbart återförsäljaren.
- Lämna utrustningens modellnummer och serienummer till återförsäljaren. Ange problemets art, förhållanden vid användning och inköpsdatum.

Störningar Vid Användning

Trots kontinuerlig kvalitetskontroll kan fel eller funktionsstörningar som beror på någon enskild komponent förekomma. Därför är det onödigt att hela redskapet skickas på reparation, eftersom det för det mesta räcker med att aktuell komponent byts.

Kontakta genast din försäljare om du upptäcker fel eller brister när du använder ditt redskap eller om du behöver reservdelar. Uppge alltid redskapets modell och serienummer. Beskriv problemet, hur redskapet använts, och uppge inköpsdagen.

Behöver du reservdelar, uppge också numret på reservdelar; du hittar en lista på reservdelar i slutet på den här handboken. Till apparaten är endast delar från reservdelslistan användas.

Felkoder

Om displayen visar en felkod ("E"/ "DC" + siffra), starta om utrustningen och kontrollera om displayen fortfarande visar felkoden. Om displayen fortfarande visar felkoden, kontakta omedelbart återförsäljaren.

Transport och förvaring

⚠ VARNING

- Bär och flytta utrustningen varsamt.
- Flytta och lägg ner utrustningen med försiktighet.
- Placera utrustningen på ett skyddande underlag för att förhindra skador på golvytan.
- Flytta och lyft försiktigt utrustningen över ojämna ytor.
- Flytta inte utrustningen genom att ta tag i pedalerna, utan använd det avsedda handtaget ovanpå skyddet.
- Förvara utrustningen på en torr plats med så lite temperatursviftningar som möjligt.

Garanti

Tunturis ágargarantitunt

Garantivillkor

Konsumenten har rätt till tillämpliga lagliga rättigheter som anges i den nationella lagstiftningen om handel med konsumentvaror. Denna garanti begränsar inte dessa rättigheter. Köparens garanti är endast giltig om produkten används i en miljö som är godkänd av Tunturi New Fitness BV och underhålls enligt instruktionerna för den specifika utrustningen. Den produktspecifika godkända miljön och underhållsinstruktionerna anges i produktens "användarhandbok". "Användarhandboken" kan laddas ned från vår webbplats. <http://manuals.tunturi.com>

Garantivillkor

Garantivillkoren börjar att gälla från inköpsdatumet. Garantivillkoren kan variera mellan olika länder. Kontakta en lokal återförsäljare om garantivillkoren.

Garantins omfattning

Oavsett omständigheter, ansvarar inte Tunturi New Fitness BV eller Tunturis återförsäljare för uppkomna personskador som påverkar köparen, och som innebär inkomstförlust eller andra ekonomiska följdverkningar.

Gegränsningar i garantin

Garantin gäller för arbets- och materialfel, förutsatt att redskapet är i originalmonterat skick. Garantin gäller endast fel som uppstår vid normalt bruk och då den använts enligt Tunturis instruktioner gällande montering, skötsel och användning. Tunturi New Fitness BV och Tunturis återförsäljare ansvarar ej för fel som uppkommer utanför deras kontroll.

Garantin gäller endast redskapets ursprungliga ägare och är gällande endast i de länder där det finns en godkänd Tunturi New Fitness BV återförsäljare.

Garantin gäller ej för redskap eller delar som har ändrats utan Tunturi New Fitness BV:s godkännande. Garantin gäller ej för fel som beror på normalt slitage, felaktig användning, användning i förhållanden som inte är avsett för redskapet, korrosion eller lastnings- och transportskador.

Garantin täcker inte ljud som uppstår under användning såvida dessa inte väsentligt hindrar utrustningens användning eller har orsakas av ett fel i utrustningen.

Garantin gäller inte för underhållsarbete, som rengöring, smörjning eller normal kontroll av komponenterna och inte heller för monteringsarbete som kunden själv kan göra och som inte kräver att redskapet plockas isär/sätts ihop. Det gäller till exempel byte av mätare, trampor eller andra motsvarande enkla delar.

Garantireparationer utförda av andra än en godkänd Tunturi-representant, ersätts inte. Ifall instruktionerna i manualen inte följs upphävs produktens garanti.

Teknisk information

Parameter	Måttenhet	Värde
Nätspänning	VAC	210 ~ 240
Nätfrekvens	HZ	50 ~ 60
Hastighet	Nivåer	1 ~ 15
Längd	Cm	42.0
Bredd	Cm	40.0
Höjd	Cm	29.0
Vikt	Kg	4.5
Hjärtfrekvensmätning tillgänglig via:	handgrepps kontakt 5,3~5,4 kHz. Bluetooth (BLE) ANT+	Nej Nej Nej Nej

Försäkran från tillverkaren

Tunturi New Fitness BV försäkrar att produkten uppfyller följande standarder och direktiv:
EN 957 (HC), 2014/30/EU. Produkten är därför CE-märkt.

08-2021

Tunturi New Fitness BV
Purmerweg 1
1311 XE Almere
Nederländerna

Friskrivning

© 2021 Tunturi New Fitness BV
Alla rättigheter förbehållna.

- Produkten och handboken kan komma att ändras.
- Specifikationer kan ändras utan förvarning.
- På vår webbplats finns den senaste bruksanvisningen.

Suomeksi

Tämä suomennettu käyttöohje on käännetty Englannin kielestä. Pidätämme oikeudet mahdollisiin käännösvirheisiin. Käännös tehty virallisen, englanninkielisen version pohjalta.

Sisältö

Tervetuloa	48
Turvallisuusvaroitukset	48
Sähköturvallisuus	48
Kokoamisohjeet	49
Kuvan A kuvaus	49
Kuvan B kuvaus	49
Kuvan D kuvaus.....	49
Asennusta koskevia lisätietoja.	49
Lisätietoa laitteen omistajalle	49
Käyttö	49
Ohjaimen säilytys	49
Käyttö ilman moottorin tukea.....	49
Pääkytkin (kuva E-1).....	50
Ohjain (kuva E-2)	50
Näytön kohtien selitykset.....	50
Painikkeet.....	50
Ohjelmat	50
Manuaalinen tila	50
Valmisohjelmat (P1~P5).....	51
Puhdistus ja huolto	51
Viat ja häiriöt	51
Käyttöhäiriöt	51
Kuljetus ja varastointi	51
Takuu	51
Tekniset tiedot	52
Valmistajan vakuutus	52
Vastuuvapauslauseke	52

Tervetuloa

Tervetuloa Tunturi Fitness -maailmaan!
Kiitämme sinua tämän Tunturi-laitteen ostosta. Tunturi tarjoaa laajan valikoiman ammattimaisia kuntoilulaitteita, mukaan lukien crosstrainerit, juoksumatot, kuntopyörät, soutilaitteet, voimapankit ja moniasemat.
Tunturi-laite sopii koko perheelle kuntotasosta riippumatta. Katso lisätiedot verkkosivuiltamme www.tunturi.com

Tärkeitä turvallisuusohjeita

Tämä opas on olennainen osa kuntolaitettasi. Perehdy ohjeisiin huolellisesti ennen kuin alat käyttää kuntolaitettasi. Noudata aina seuraavia varotoimia:

Turvallisuusvaroitukset

⚠ VAROITUS

- Lue turvallisuusvaroitukset ja -ohjeet. Turvallisuusvaroitusten ja -ohjeiden jättäminen noudattamatta voi aiheuttaa henkilön loukkaantumisen tai laitevaurion. Säilytä turvallisuusvaroitukset ja -ohjeet myöhempää käyttöä varten.

⚠ VAROITUS

- Sykkeenvälöntajärjestelmät saattavat olla epätarkkoja. Liiallinen harjoittelu saattaa aiheuttaa vakavia vammoja tai kuoleman. Jos tunnet olosi heikoksi, lopeta harjoittelu heti.

- Laite on sopiva vain kotikäyttöön. Laite ei ole sopiva kaupalliseen käyttöön.
- Enimmäiskäyttö on rajoitettu 2 tuntiin päivässä
- Tämän laitteen käyttö lasten tai fyysisesti, aistillisesti, henkisesti, tai liikunnallisesti rajoittuneiden, tai kokemukseltaan ja tiedoiltaan puutteellisten henkilöiden toimesta voi aiheuttaa vaaratilanteita. Heidän turvallisuudestaan vastuussa olevien henkilöiden on annettava selkeät ja tarkat ohjeet laitteen käytöstä ja valvottava laitteen käyttöä.
- Ennen harjoituksen aloittamista ota yhteys lääkäriin terveystarkastusta varten.
- Jos sinulla on pahoinvointia, huimausta, tai muita epätavallisia oireita, lopeta välittömästi harjoitus ja ota yhteys lääkäriin.
- Vältä lihaskipuja ja venähdyksiä aloittamalla jokainen harjoitus lämmittelyjaksolla ja pääätä jokainen harjoitus jäähdyttelyjaksolla. Muista venytellä harjoittelun lopuksi.
- Laite on sopiva vain sisäkäyttöön. Laite ei ole sopiva ulkokäyttöön.
- Käytä laitetta riittävällä tuuletuksella varustetuissa tiloissa. Älä käytä laitetta vetoisissa tiloissa välttääksesi kylmettymisen.
- Käytä laitetta vain ympäristölämpötilassa 10 °C - 35 °C. Säilytä laitetta vain ympäristölämpötilassa 5 °C - 45 °C.
- Älä käytä tai säilytä laitetta kosteissa tiloissa. Ilmankosteus ei saa koskaan olla yli 80 %.
- Käytä laitetta vain sen aiottuun tarkoitukseen. Älä käytä laitetta muihin, kuin tässä käyttöoppaassa esitettyihin tarkoituksiin.
- Älä käytä laitetta, jos sen jokin osa on vaurioitunut tai viallinen. Jos osa on vaurioitunut tai viallinen, ota yhteys jälleenmyyjään.
- Pidä kätesi, jalkasi ja kehon muut osat pois liikkuvista osista.
- Pidä hiuksesi pois liikkuvista osista.
- Käytä asianmukaista vaatetusta ja kenkiä.
- Pidä vaatteet, korut ja muut esineet pois liikkuvista osista.
- Varmista, että vain yksi henkilö kerrallaan käyttää laitetta.
- Yli 100 kg (220 lbs) ainava henkilö ei saa käyttää laitetta.
- Älä avaa laitetta ilman yhteydenottoa jälleenmyyjääsi.

Sähköturvallisuus

- Varmista aina ennen käyttöä, että sähkölähteen jännite on sama kuin laitekilvessä ilmoitettu laitteen nimellijännite.
- Älä käytä jatkojohtoa.
- Pidä virtajohto pois kuumasta, öljystä ja terävistä kulmista.
- Älä tee muutoksia virtajohtoon tai pistokkeeseen.
- Älä käytä laitetta, jos virtajohto tai virtajohdon pistoke on vaurioitunut tai viallinen. Jos virtajohto tai virtajohdon pistoke on vaurioitunut tai viallinen, ota yhteys jälleenmyyjääsi.
- Suorista aina virtajohto täysin.
- Älä vie virtajohtoa laitteen alitse. Älä laita virtajohtoa maton alle. Älä laita virtajohdon päälle mitään esineitä.

- Varmista, ettei virtajohto roiku pöydän kulman yli. Varmista, ettei virtajohtoon voi vahingossa tarttua kiinni tai kompastua.
- Älä jätä laitetta ilman valvontaa virtajohdon ollessa liitettynä pistorasiaan.
- Älä vedä pistoketta irti pistorasiasta virtajohdosta vetämällä.
- Irrota pistoke pistorasiasta, kun laite ei ole käytössä, ennen asennusta tai purkamista ja ennen puhdistusta sekä huoltoa.

VAROITUS

- Älä koskaan käytä vettä tai mitään muuta nestettä suoraan laitteen päällä tai lähellä. Jos laitteen puhdistamiseen tarvitaan nestettä, käytä kosteaa liinaa.
- Nesteen käyttäminen suoraan laitteessa on haitallista laitteen osille, ja tästä syntyvä oikosulku voi aiheuttaa sähköiskun. Seurauksena voi olla vakava vamma tai jopa kuolema.

Kokoamisohjeet

Kuvan A kuvaus

Kuvassa on esitetty, miltä harjoituslaite näyttää, kun asennus on saatu valmiiksi.

Voit käyttää tätä viitteenä asennuksen aikana, mutta tee asennusvaiheet aina oikeassa järjestyksessä kuvien mukaisesti.

Kuvan B kuvaus

Kuvassa on esitetty, mitä komponentteja ja osia sinun tulisi löytää poistaessasi tuotteen pakkauksesta.

HUOMAUTUS!!

- Pienet osat voivat olla piilossa / pakattuina Styrofoam-tuotesuojan koloihin.

Kuvan D kuvaus

Kuvassa on esitetty oikea järjestyksessä, jota noudattamalla harjoittelulaitteen asennus onnistuu parhaiten.

VAROITUS

- Kokoonpane laite esitetyssä järjestyksessä.
- Vähintään kahden henkilön on kannettava ja siirrettävä laitetta.

HUOMAUTUS

- Sijoita laite kovalle, tasaiselle alustalle.
- Asettakaa laite suojalustalle lattiapinnan vaurioiden estämiseksi.
- Varaa vähintään 100 cm tilaa laitteen ympärille.
- Katso piirroksista laitteen oikea asennus.

Asennusta koskevia lisätietoja.

D2 Polkimien asentaminen oikein.

HUOMAUTUS!!

- Oikea ja vasen puoli on määritelty harjoitteluasennosta katsottuna.

Oikean puolen poljin

Etsi "R"- tai "L"-merkki poljinakselistasta.

- Asenna oikean puolen poljin "R" oikean puolen poljinkampeen.
- Käännä ensin poljinakselia myötäpäivään käsin.
- Kiristä poljin kunnolla käyttämällä jakoavainta.

Vasemman puolen poljin

- Asenna vasemman puolen poljin "L" vasemman puolen poljinkampeen.
- Käännä ensin poljinakselia vastapäivään käsin.
- Kiristä poljin kunnolla käyttämällä jakoavainta.



Katso YouTube-ohjevideomme napsauttamalla <https://youtu.be/Devel2ZhCac>

ILMOITUS

- Kun olet suorittanut asennuksen loppuun, pane tämän tuotteen mukana toimitetut työkalut talteen tulevia huoltotöitä varten.

Lisätietoa laitteen omistajalle

Pakkauksen hävittäminen

Lainsäädäntö ohjeistaa meitä vähentämään kaatopaikoille toimitetun jätteen määrää. Sen vuoksi pyydämme sinua toimittamaan kaikki pakkausjätteet sitä varten tarkoitettuun kierrätyskeskukseen.

Laitteen hävittäminen käyttöiän päätyttyä

Me Tunturilla toivomme, että iloitset kuntolaitteestasi vuosia. Jokainen kuntolaite tulee kuitenkin aikanaan oman käyttöikänsä loppuun. Kotitalouksien sähkö- ja elektroniikkalaiteromua käsittelevien eurooppalaisten määräysten (WEEE) mukaan sinun kuuluu toimittaa kuntolaitteesi sitä varten tarkoitettuun keräyspaikkaan.

Käyttö

Ohjaimen poisto

Voit ottaa laiteohjaimen pois säilytyspaikasta ja pitää sitä kädessäsi tehdäkseen harjoituksiin muutoksia treenin aikana käyttömukavuutesi mukaan.

- Nosta pois sormenpäällä ohjaimen pohjasta.
- Vedä ohjain varovasti ulos ja pidä se kytkettynä laitteeseen kierrehodolla. ($\pm 1,2$ m kaapelin pituus).
- Ohjainta voidaan pitää kädessä ja sitä voidaan käyttää harjoituksen säätämiseen treenin aikana.

VAROITUS

- Vältä kierrehodon tarttumista laitteen liikkuviin osiin treenin aikana.

Ohjaimen säilytys

Suosittellemme laittamaan ohjaimen takaisin säilytyspaikkaan treenin jälkeen

- Tuo säädin tasaisella liikkeellä takaisin kohti laitteen säilytyspaikkaa, ohjaimen johdollinen pää edellä.
- Johto kelautuu ja vedetään takaisin säilytystilaan. Tätä on ehkä ohjattava kädellä.
- Napsauta ohjain takaisin paikalleen varmistaaksesi, että se pysyy paikallaan.

VAROITUS

- Ohjaimen tulee mahtua säilytystilaan helposti ilman liian suurta voimankäyttöä. Jos voimaa tarvitaan, tarkista, että kierrehodot on asetettu oikein säilytystilaan eikä se estä säädintä asettumasta säilytystilaan.

Käyttö ilman moottorin tukea

Laitetta voidaan käyttää vapaasti ilman sisäisten vaurioiden vaaraa. Se edellyttää, että päävirtakytkin on pois päältä, mikä tarkoittaa, että nopeusnäyttöä tai liiketukea ei ole.

Koneen sisällä olevien liikkuvien osien luonnollista vastusta ei voi muuttaa tai asettaa toiselle tasolle

Pääkytkin (kuva E-1)

Tämä laite on varustettu pääkytkimellä laitteen sammuttamiseksi kokonaan.

Laitteen käynnistäminen:

- Laita virtajohdon pistoke pistorasiaan.
- Laita pääkytkin ON-asentoon.

Laitteen pysäyttäminen:

- Laita pääkytkin OFF-asentoon.
- Poista virtajohdon pistoke pistorasiasta.

Ohjain (kuva E-2)

⚠ HUOMIO

- Pidä ohjain poissa suorasta auringonpaisteesta.
- Kuivaa ohjaimen pinta, kun se on hikipisaroiden peitossa.
- Älä nojaa ohjaimen.
- Kosketa ohjaimen painikkeita vain sormenpäällä. Varmista, etteivät kyntesi tai terävät esineet kosketa näyttöä.

⚠ HUOMAUTUS

- Konsoli ei kytkeydy valmiustilaan, mutta pysyy päällä.
- Kytke kone pois päältä, kun se ei ole käytössä.

Näytön kohtien selitykset

Scan (Skannaus)

- Skannausparametrit näkyvät automaattisesti seuraaville: Speed (Nopeus), Time (Aika), Dist. (Matka) & Cal. (Kalorit)
- Jokainen näyttö näkyy 4 sekunnin ajan.
- Skannaus-LED syttyy, kun skannaustoiminto on aktiivinen.

Speed (Nopeus)

- Näyttää nopeuden asetustasolla 1~12.
- Speed-LED syttyy, kun nopeusparametri näytetään.

Time (Aika)

- Näyttää tähänastisen juoksuajan harjoittelutilassa.
- Näyttää tavoiteajan ohjelmointitilassa.
Näytön parametrixiköt: 00:00 Minuuttia.:Sekuntia
- Time-LED syttyy, kun aikaparametri näytetään.

Dist. Distance (Matka)

- Näyttää jäljellä olevan harjoitusajan lähtölaskentatilassa.
Näytön parametrixiköt: 0,000 km.metriä.
- Dist.- LED syttyy, kun matkaparametri näytetään.

Cal. Calories (Kalorit)

- Näyttää kulutetut kalorit harjoittelutilassa.
Näytön parametrixiköt: 000,0 kaloria.
- Cal.- LED syttyy, kun kaloriparametri näytetään.

⚠ HUOMAUTUS

- Nämä tiedot muodostavat suuntaa antavan oppaan eri harjoitusjaksojen vertailuun. Niitä ei voi käyttää lääketieteellisissä hoidossa.

Painikkeet

Start/Stop (Käynnistys / Pysäytys)

- Aloita valittu harjoitus pysäytystilassa.
- Pysäytä aktiivinen harjoitus harjoitustilassa.

Mode (Tila)

- Valitse ohjelmointitila lepotilassa.
- Vahvista asetus siirtäaksesi ohjelmointitilan seuraavaan vaiheeseen.
- Vaihda näyttötiloja, kun olet harjoitustilassa.

Time (Aika)

- Aseta harjoitusaika (1~15 min ± 1 minuutti)
- Paina kerran lisätäksesi minuutin, paina ja pidä painettuna nopeuttaaksesi syöttöä

⚠ HUOMAUTUS

- Ohjelmointitilassa aikaa voidaan lisätä vain yhdellä minuutilla jokaisella painikkeen painalluksella. Kun 15 minuuttia saavutetaan, asetus alkaa uudelleen 1 minuutista ja toistaa ylöslaskennan uudestaan.

Reverse (Taaksepäin)

- Aseta polkimien pyörimissuunta taaksepäin liikkuvaksi, kun olet eteenpäin-asennossa.
- Aseta polkimien pyörimissuunta eteenpäin liikkuvaksi ollessasi taaksepäin-asennossa.
- "Reverse"-painikkeen painaminen toimintatilassa pysäyttää laitteen tasaisesti, pitää pysäytettynä noin 2 sekuntia, ennen kuin moottori voi aktivoida taaksepäin-tilan.

⚠ HUOMAUTUS

- Kun laite on suunnanvaihtotilassa, kaikki painikkeet eivät ole käytössä, ennen kuin kone on jälleen liikkeessä.

Speed +/- Speed - (Nopeus +/- nopeus -)

- Paina "Speed +" lisätäksesi nopeutta halutulle moottorin nopeuden tukitasolle.
- Paina "Speed -" vähentääksesi nopeutta halutulle moottorin nopeuden tukitasolle.
- Paina kerran lisätäksesi/vähentääksesi yhden tason, paina ja pidä painettuna nopeuttaaksesi syöttöä
- Alla olevassa taulukossa näkyy jokainen taso, joka edustaa alkavaa rpm.-kierroslukua (kierrosta minuutissa)

Speed	1	2	3	4	5	6	7	8	9	10	11	12
RPM	35	39	43	48	52	56	60	64	68	73	77	80

Speed = Nopeus

RPM = Kierrosta minuutissa

Ohjelmat

Manuaalinen tila

- Laitteessa on manuaalinen tila, jossa käyttäjä voi vapaasti valita ja säätää nopeustasoa koko ajan. Valitse tämä tila seuraavasti:
- Avaa ohjelmointitila painamalla "Mode"-painiketta, näytöllä näkyy P1.
 - Paina "Mode"-painiketta, kunnes "-.-.-." tulee näkyviin, mikä osoittaa, että on siirrytty manuaaliseen tilaan.
 - Paina "Start/ Stop"-painiketta aloittaaksesi harjoituksesi.
 - Paina "Speed +/-"-painikkeita asettaaksesi haluamasi nopeuden tukitilan. Oletusnopeusasetus on 1.
 - Paina "Time"-painiketta asettaaksesi haluamasi harjoitusajan 1~15 minuutin alueelle. Harjoitusajan oletusasetus on 10 minuuttia.
 - Aloita harjoitus painamalla "Start/Stop"-painiketta.

 - Paina "Speed +/-"-painiketta aina, kun haluat asettaa tukinopeuden haluamallesi nopeudelle.
 - Paina "Reverse"-painiketta aina, kun haluat asettaa tukiliikkeen suunnan.
 - Kun esiasetettu harjoitusaika saavutetaan, laite pysähtyy tasaisesti.

Valmisohjelmat (P1~P5)

Laitteessa on 5 valmisohjelmaa, joilla on erilaiset profiilit. Jokaisella profiililla on esiasetettu profiili nopeus- ja suuntavaihteluille.

- Alla olevassa taulukossa näkyy jokainen esiohjelmoitu profiili. Jokainen segmentti kestää 30 sekuntia ja kiertää, kunnes harjoitusaika on päättynyt ja laite pysähtyy tasaisesti.

	Suunta	↺	↺	↺	↺	↺	↻	↻	↻	↻	↻
P1	Speed	1	2	3	4	5	1	2	3	4	5
P2	Speed	2	3	4	5	6	2	3	4	5	6
P3	Speed	3	5	7	9	11	3	5	7	9	11
P4	Speed	4	6	8	10	12	4	6	8	10	12
P5	Speed	5	10	5	10	--	5	10	5	10	-

(Speed = Nopeus)

Valitse haluamasi profiili seuraavasti:

- Avaa ohjelmointitila painamalla "Mode"-painiketta, näytöllä näkyy P1.
- Paina "Mode"-painiketta, kunnes haluamasi profiilitilä tulee näkyviin.
- Paina "Start/ Stop"-painiketta aloittaaksesi harjoituksesi.
- Paina "Time"-painiketta asettaaksesi haluamasi harjoitusajan 1~15 minuutin alueelle. Harjoitusajan oletusasetus on 10 minuuttia.
- Aloita harjoitus painamalla "Start/Stop"-painiketta.
- Paina "Level +/-"-painiketta aina, kun haluat asettaa tukinopeuden haluamallasi nopeudelle.
- Paina "Reverse"-painiketta aina, kun haluat asettaa tukiliikkeen suunnan.

⚠ HUOMAUTUS

- Kun vaihdat nopeutta tai liikesuuntaa ollessasi esiohjelmoitussa profiilissa, se soveltaa muutosta vain aktiiviseen segmenttiin, jossa olet, ja jatkaa esiasetettua profiilia siirtyessään seuraavaan profiilisegmenttiin.
- Kun esiasetettu harjoitusaika saavutetaan, laite pysähtyy tasaisesti.

Puhdistus ja huolto

Laite ei vaadi erityishuoltoa. Laite ei vaadi uudelleenkalibrointia kokoonpanon, käytön ja ohjeiden mukaan suoritettun huollon jälkeen.

⚠ VAROITUS

- Poista pistoke pistorasiasta ennen puhdistusta ja huoltoa.
- Älä käytä liuottimia laitteen puhdistukseen.
- Puhdista laite pehmeällä, imukykyisellä kankaalla jokaisen käytön jälkeen.
- Tarkista säännöllisesti kaikkien ruuvien ja mutterien olevan tiukasti kiinni.
- Voitele nivelet tarvittaessa.

Viat ja häiriöt

Huolimatta jatkuvasti laadunvarmistuksesta laitteessa voi tapahtua yksittäisen osan aiheuttamia vikoja ja häiriöitä. Useimmissa tapauksissa viallisen osan vaihtaminen on riittävää

- Jos laite ei toimi normaalisti, ota välittömästi yhteys jälleenmyyjään.
- Anna jälleenmyyjälle laitteen malli- ja sarjanumero. Kerro ongelman luonne, käyttöolosuhteet ja ostopäivä.

Käyttöhäiriöt

Jatkuvasta laaduntarkkailusta huolimatta laitteessa saattaa esiintyä yksittäisistä komponenteista johtuvia yksilövikoja tai toimintahäiriöitä. Koko laitteen toimittaminen korjattavaksi on yleensä tarpeetonta, sillä vika on useimmiten korjattavissa ko. osan vaihdolla.

Mikäli laitteen toiminnassa ilmenee häiriöitä käytön aikana, ota välittömästi yhteys laitteen myyjään. Ilmoita laitteesi malli ja sarjanumero (sarjanumerotarran sijainnin näet tämän käyttöohjeen etukannen sisäpuolelta). Ilmoita lisäksi häiriön luonne, laitteen käyttöympäristö sekä ostopäivämäärä.

Mikäli tarvitset laitteeseesi varaosia, ota yhteys laitteen myyjään. Ilmoita aina laitteen malli, sarjanumero sekä tarvittavan osan varaosanumero. Varaosaluettelon löydät tämän oppaan lopusta. Laitteessa saa käyttää vain varaosalistassa mainittuja osia.

Virhekoodit

Jos näytöllä näkyy virhekoodi ("E"/ "DC" + numero), käynnistä laite uudelleen ja tarkista näkykö virhekoodi edelleen näytöllä. Jos virhekoodi näkyy edelleen näytöllä, ota välittömästi yhteys jälleenmyyjään.

Kuljetus ja varastointi

⚠ VAROITUS

- Kuljeta ja siirrä laitetta varovasti.
- Siirrä laitetta ja laske se varovasti alas.
- Aseta laite suojaavalle alustalle, jotta lattiapinta ei vaurioidu.
- Siirrä ja nosta laitetta varovasti epätasaisen pintojen yli.
- Älä siirrä laitetta tarttumalla polkimiin, vaan käytä kotelon päällä olevaa kahvaa.
- Säilytä laitetta kuivassa paikassa, jossa lämpötila vaihtelee mahdollisimman vähän.

Takuu

Tunturi-kuntolaitteen omistajan takuu

Takuuehdot

Kuluttaja on oikeutettu soveltuviin, kansallisessa kuluttajatuotteiden kauppaa koskevassa lainsäädännössä mainittuihin lakisääteisiin oikeuksiin. Tämä takuu ei rajoita näitä oikeuksia. Ostajan takuu on voimassa vain, jos tuotetta käytetään ympäristössä, jonka Tunturi New Fitness BV on kyseiselle laitteelle hyväksynyt. Kunkin tuotteen sallitut käyttöympäristöt ja huolto-ohjeet on esitetty tuotteen käyttöohjeessa. Käyttöohje on ladattavissa verkkosivustoltamme. <http://manuals.tunturi.com>

Takuuehdot

Takuuehdot tulevat voimaan tuotteen ostopäivästä lukien. Takuuehdot voivat olla erilaiset eri maissa, joten pyydä takuuehdot paikalliselta jälleenmyyjältä.

Takuun kattavuus

Missään olosuhteissa Tunturi New Fitness BV tai Tunturi-jälleenmyyjä ei vastaa ostajalle mahdollisesti aiheutuvista välillisistä vahingoista, kuten käyttöhyödyn tai tulojen menetyksestä taikka muista taloudellisista seurausvahingoista.

Takuun rajoitukset

Takuu kattaa työstä ja materiaalista johtuvat virheet kuntolaitteessa, joka on alkuperäisessä kokoonpanossaan.

Takuu koskee vain virheitä, jotka ilmenevät normaalissa ja laitteen mukana tulleen ohjekirjan mukaisessa käytössä edellyttäen, että Tunturin asennus-, huolto- ja käyttöohjeita on noudatettu. Tunturi New Fitness BV:n ja Tunturin jälleenmyyjät eivät vastaa virheistä, jotka aiheutuvat heidän vaikutusmahdollisuuksiensa ulkopuolella olevista seikoista. Takuu on voimassa vain niissä maissa, joissa Tunturi New Fitness BV:llä on valtuutettu maahantuojia. Takuu ei koske sellaisia kuntolaitteita tai osia, joita on muutettu ilman Tunturi New Fitness BV:n suostumusta. Takuu ei koske virheitä, jotka johtuvat luonnollisesta kulumisesta, virheellisestä käytöstä, käytöstä olosuhteissa, joihin kuntolaitetta ei ole tarkoitettu, korroosiosta tai lastaus- tai kuljetusvahingoista.

Takuu ei koske käyttöäniä, jotka eivät olennaisesti haittaa laitteen käyttöä eivätkä johdu laitteessa olevasta virheestä.

Takuu ei myöskään sisällä kunnossapitotoimenpiteitä, kuten puhdistusta, voitelua tai sen osien normaalia tarkistamista, eikä sellaisia asennustoimenpiteitä, jotka asiakas voi suorittaa itse ja jotka eivät edellytä erityistä kuntolaitteen purkamista / kokeamista. Tällaisia toimenpiteitä ovat esim. mittareiden, polkimien tai muiden vastaavien yksinkertaisten osien vaihdot. Muun kuin valtuutetun Tunturi-edustajan suorittamia takuukorjauksia ei korvata. Laitteen käyttöohjeen noudattamatta jättäminen aiheuttaa takuun raukeamisen.

Tekniset tiedot

Parametri	Mittayksikkö	Arvo
Sähkölähteen jännite	VAC	210 ~ 240
Sähkölähteen taajuus	HZ	50 ~ 60
Juoksumaton nopeus	Tasot	1 ~ 15
Pituus	Cm	42.0
Leveys	Cm	40.0
Korkeus	Cm	29.0
Paino	Kg	4.5
Syke voidaan mitata seuraavasti:	käsikahvojen anturit 5,3~ 5,4 Khz. Bluetooth (BLE) ANT+	Noo Noo Noo Noo

Valmistajan vakuutus

Tunturi New Fitness BV vakuuttaa tuotteen täyttävän seuraavien standardien ja direktiivien vaatimukset: EN 957 (HC), 2014/30/EU. Tässä tuotteessa on sen vuoksi CE-merkki..

08-2021

Tunturi New Fitness BV
Purmerweg 1
1311 XE Almere
Alankomaat

Vastuuvapauslauseke

© 2021 Tunturi New Fitness BV

Kaikki oikeudet pidätetään.

- Tuote ja käyttöopas saattavat muuttua.
- Teknisiä tietoja saatetaan muuttaa ilman eri ilmoitusta.
- Katso käyttöohjeiden uusin versio verkkosivustoltamme.

TUNTURI[®]

FEEL BETTER EVERY DAY

TUNTURI NEW FITNESS B.V.

Purmerweg 1
1311 XE Almere
The Netherlands

P.O. Box 60001
1320 AA Almere
The Netherlands

info@tunturi.com
www.tunturi.com



20240226-W