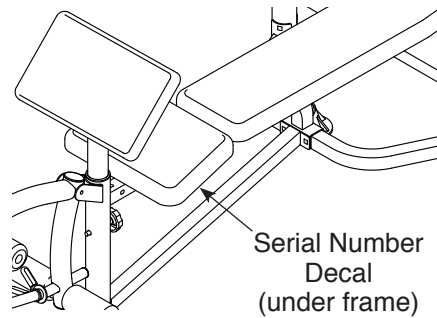


WEIDER[®] PRO 265

Model No. 831.15963.0

Serial No. _____

Write the serial number in the space above for reference.



- Assembly
- Operation
- Maintenance
- Part List and Drawing

Sears, Roebuck and Co.
Hoffman Estates, IL 60179

CAUTION

Read all precautions and instructions in this manual before using this equipment. Keep this manual for future reference.

WEIGHT BENCH EXERCISER User's Manual

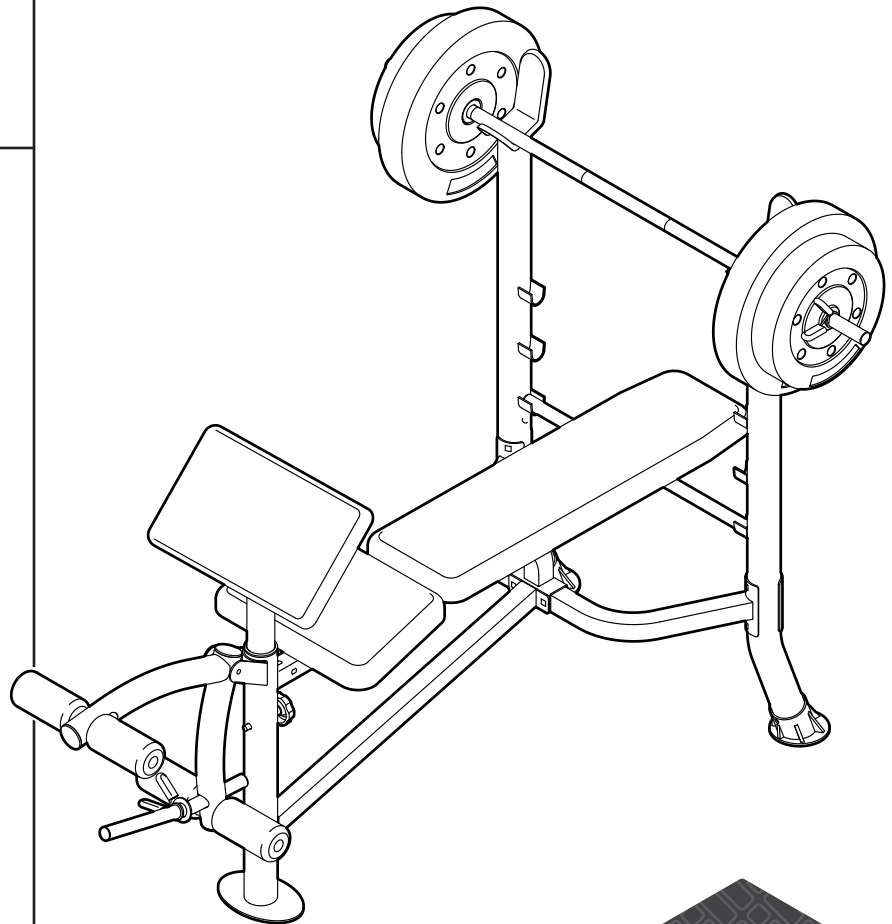


TABLE OF CONTENTS


WARNING DECAL PLACEMENT	2
IMPORTANT PRECAUTIONS	3
BEFORE YOU BEGIN	4
PART IDENTIFICATION CHART	5
ASSEMBLY	6
ADJUSTMENT	11
EXERCISE GUIDELINES	13
PART LIST	14
EXPLODED DRAWING	15
ORDERING REPLACEMENT PARTS	Back Cover
90 DAY FULL WARRANTY	Back Cover

WARNING DECAL PLACEMENT

This drawing shows the location(s) of the warning decal(s). **If a decal is missing or illegible, call 1-877-992-5999 and request a free replacement decal. Apply the decal in the location shown.** Note: The decal(s) may not be shown at actual size.

⚠ WARNING

- Misuse of this machine may result in serious injury.
- Read user's manual prior to use and follow all warnings and instructions.
- Do not allow children on or around machine.
- Keep body, clothing, and hair free and clear of all moving parts.
- Replace label if damaged, illegible, or removed.



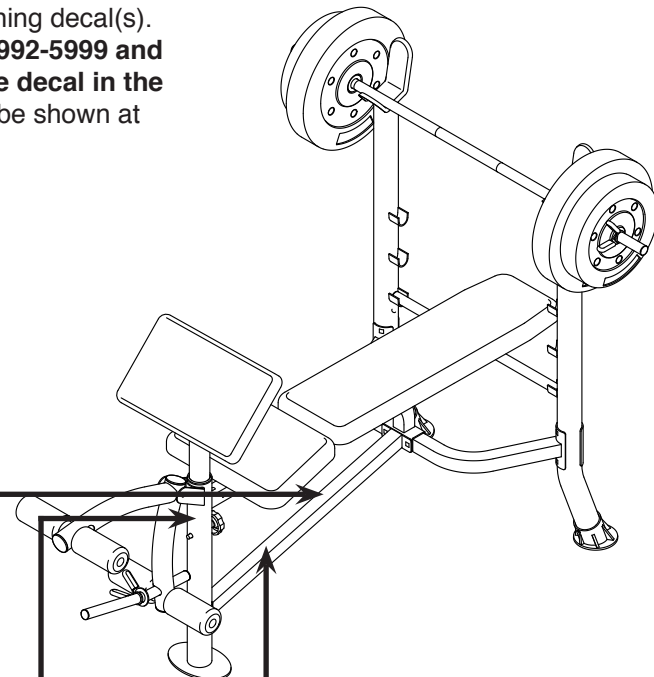
⚠ WARNING

Keep hands and fingers clear of this area.

⚠ WARNING

User Weight: Max 300 LBS
 Weight Crutch: Max 110 LBS
 Leg Developer: Max 50 LBS
 Weight Carriage: Max 110 LBS
 Chest Fly Per Arm: Max 30 LBS

Product may not offer all listed exercises.



IMPORTANT PRECAUTIONS

⚠️ WARNING: To reduce the risk of serious injury, read all important precautions and instructions in this manual and all warnings on the weight bench before using the weight bench. Sears assumes no responsibility for personal injury or property damage sustained by or through the use of this product.

1. It is the responsibility of the owner to ensure that all users of the weight bench are adequately informed of all precautions.
2. Before beginning any exercise program, consult your physician. This is especially important for persons over age 35 or persons with pre-existing health problems.
3. The weight bench is not intended for use by persons with reduced physical, sensory, or mental capabilities or lack of experience and knowledge, unless they are given supervision or instruction about use of the weight bench by someone responsible for their safety.
4. Use the weight bench only as described in this manual.
5. The weight bench is intended for home use only. Do not use the weight bench in any commercial, rental, or institutional setting.
6. Keep the weight bench indoors, away from moisture and dust. Do not put the weight bench in a garage or covered patio, or near water.
7. Place the weight bench on a level surface, with enough clearance around the weight bench to mount, dismount, and use the weight bench. To protect the floor or carpet from damage, place a mat under the weight bench.
8. Inspect and properly tighten all parts each time the weight bench is used. Replace any worn parts immediately.
9. Keep children under age 13 and pets away from the weight bench at all times.
10. Keep hands and feet away from moving parts.
11. Always wear athletic shoes for foot protection while using the weight bench.
12. The weight bench is designed to support a maximum user weight of 300 lbs. (136 kg) and a maximum total weight of 410 lbs. (186 kg). Do not place more than 110 lbs. (49 kg), including a barbell and weights, on the weight rests. Do not place more than 50 lbs. (23 kg) on the leg lever.
13. Do not use a barbell that is longer than five ft. (1.5 m) with the weight bench.
14. Always place the same amount of weight on both ends of the barbell. While adding or removing weights, always keep some weight on both ends of the barbell to prevent the barbell from tipping. Always secure weights with the spring collars.
15. Before using the leg lever, place the barbell with the same amount of weight on the weight rests to balance the bench.
16. Before using the backrest, make sure that the backrest support is inserted fully into the uprights.
17. Always exercise with a partner. Your partner should be ready to catch the barbell if you cannot complete a repetition.
18. Over exercising may result in serious injury or death. If you feel faint, if you become short of breath, or if you experience pain while exercising, stop immediately and cool down.

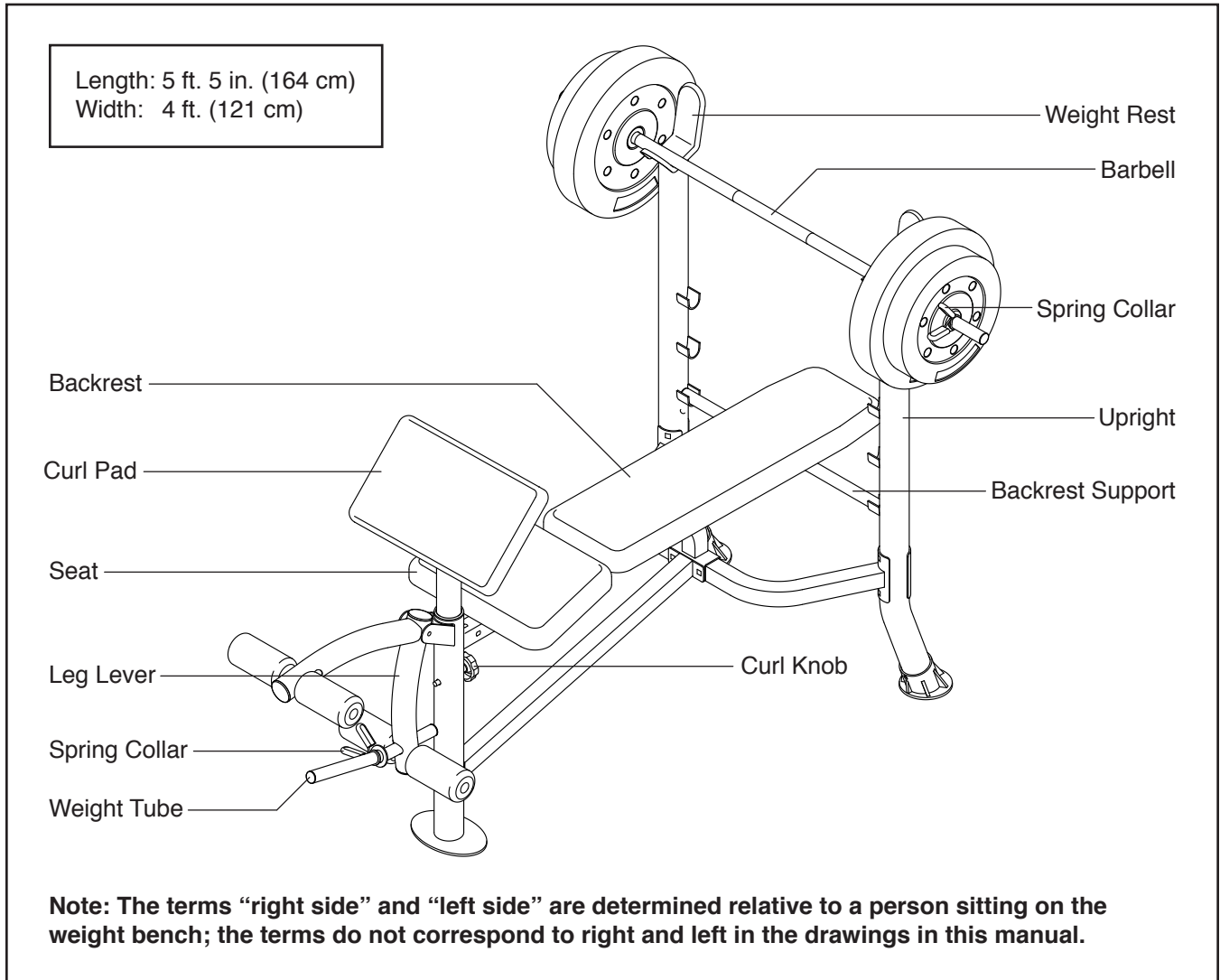
BEFORE YOU BEGIN

Thank you for selecting the WEIDER® PRO 265 weight bench. The versatile PRO 265 weight bench is designed to develop every major muscle group of the body. Whether your goal is to have a shapely figure, dramatic muscle size and strength, or a healthier cardiovascular system, the weight bench will help you to achieve the specific results you want.

For your benefit, read this manual carefully before using the weight bench. If you have questions after

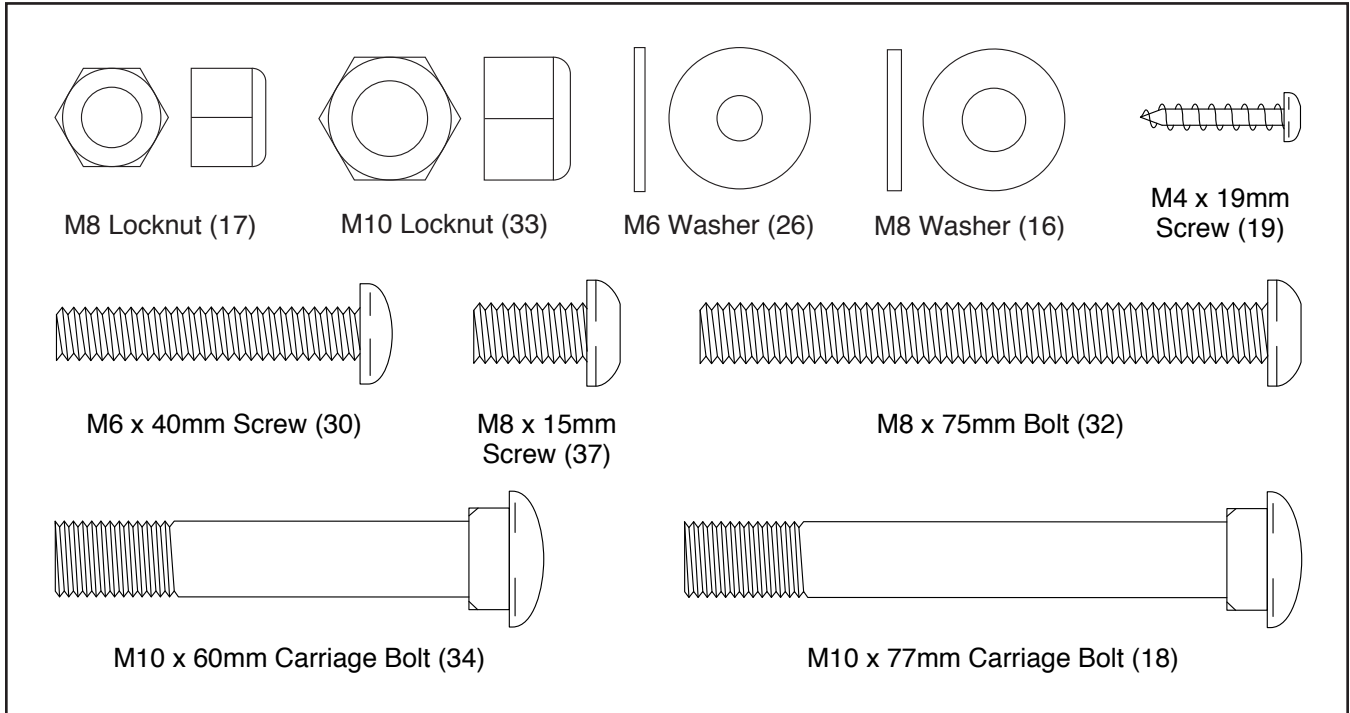
reading this manual, please see the back cover of this manual. To help us assist you, note the product model number and serial number before contacting us. The model number and the location of the serial number decal are shown on the front cover of this manual.

Before reading further, please review the drawing below and familiarize yourself with the labeled parts.



PART IDENTIFICATION CHART

Use the drawings below to identify the small parts needed for assembly. The number in parentheses below each drawing is the key number of the part, from the PART LIST near the end of this manual. **Note: If a part is not in the hardware kit, check to see if it has been preassembled. Extra hardware may be included. If a part is missing, call 1-877-992-5999.**



ASSEMBLY

- Assembly requires two persons.
 - Because of its weight and size, assemble the weight bench in the location where it will be used. Make sure that there is enough clearance to walk around the weight bench as you assemble it.
 - Place all parts in a cleared area and remove the packing materials until you finish all assembly steps.
- To identify small parts, see page 5.
 - In addition to the included tool(s), assembly requires the following tools:

one adjustable wrench



one Phillips screwdriver

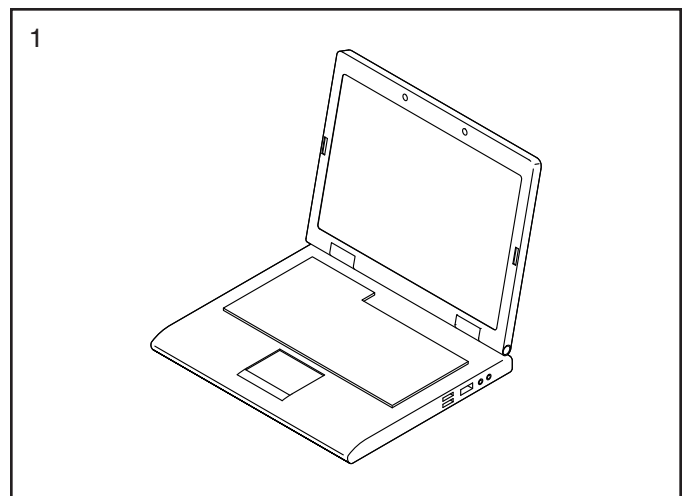


Assembly may be easier if you have a set of wrenches. To avoid damaging parts, do not use power tools.

1. Go to my.weiderfitness.com on your computer and register your product.

- documents your ownership
- activates your warranty
- ensures priority customer support if assistance is ever needed

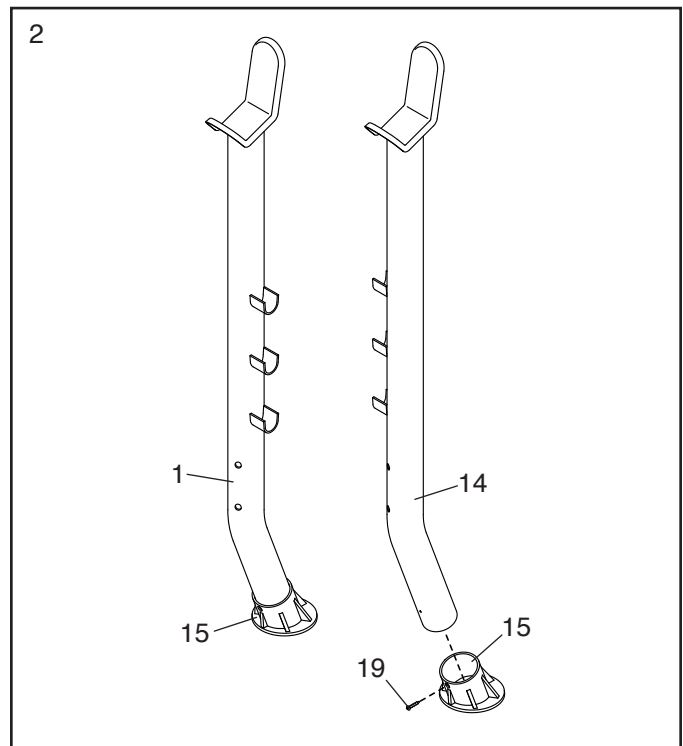
Note: If you do not have internet access, call 1-877-992-5999 and register your product.



2. Identify the Right and Left Uprights (1, 14), and orient them as shown.

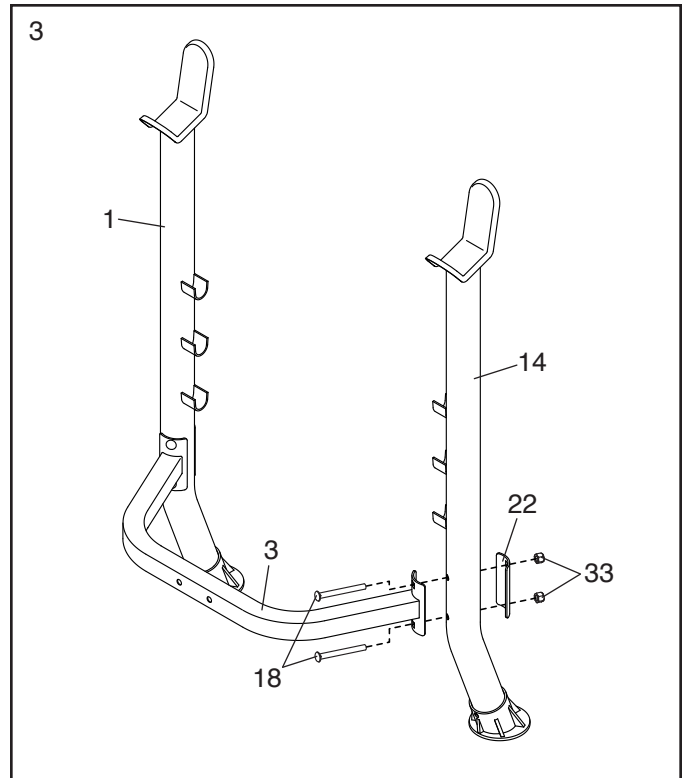
Attach an Upright Foot (15) to the Left Upright (14) with an M4 x 19mm Screw (19).

Attach the other Upright Foot (15) to the Right Upright (1) in the same way.

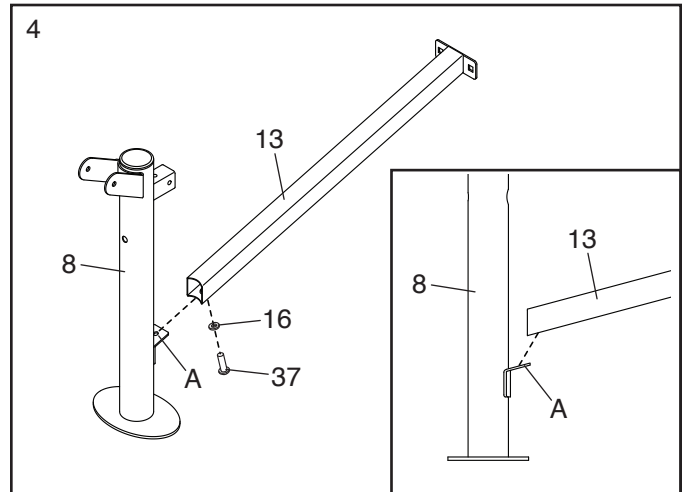


3. Attach the Crossbar (3) to the Left Upright (14) with two M10 x 77mm Carriage Bolts (18), a Support Bracket (22), and two M10 Locknuts (33); **do not tighten the Locknuts yet.**

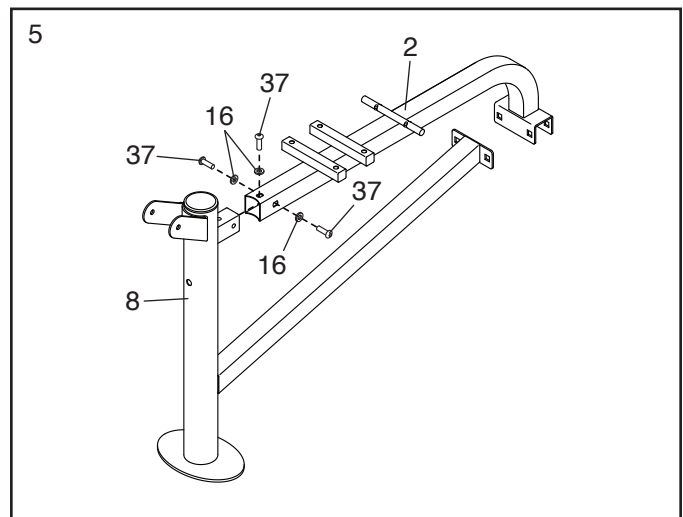
Attach the Crossbar (3) to the Right Upright (1) in the same way.



4. Attach the Stabilizer (13) to the **top** of the indicated bracket (A) on the Front Leg (8) with an M8 x 15mm Screw (37) and an M8 Washer (16); **do not tighten the Screw yet.**

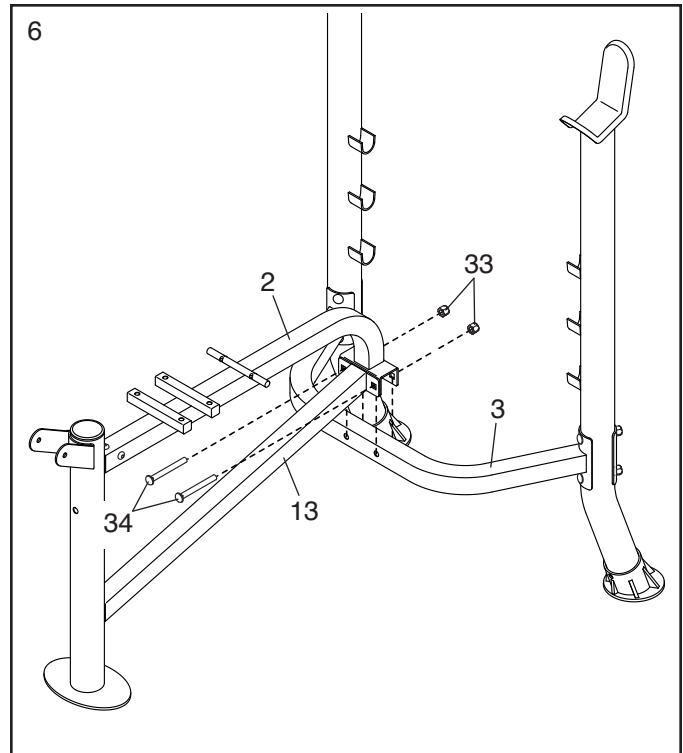


5. Attach the Frame (2) to the Front Leg (8) with three M8 x 15mm Screws (37) and three M8 Washers (16); **do not tighten the Screws yet.**



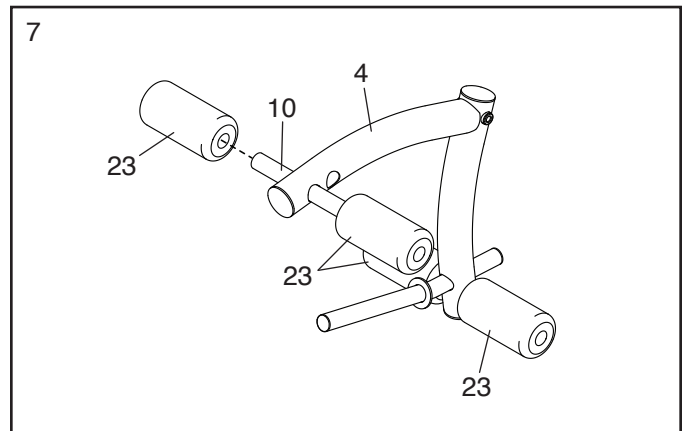
6. Attach the Frame (2) and the Stabilizer (13) to the Crossbar (3) with two M10 x 60mm Carriage Bolts (34) and two M10 Locknuts (33); **do not tighten the Locknuts yet.**

See steps 3–6. Tighten the M10 Locknuts (33) and the M8 x 15mm Screws (37).



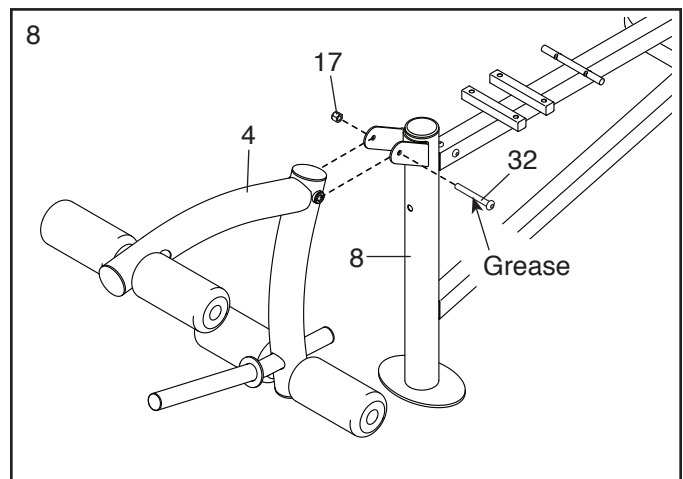
7. Insert a Pad Tube (10) into a hole in the Leg Lever (4). Slide a Foam Pad (23) onto each side of the Pad Tube.

Attach the other Pad Tube (not shown) and two Foam Pads (23) in the same way.



8. Using a plastic bag to keep your fingers clean, apply a generous amount of the included grease to an M8 x 75mm Bolt (32).

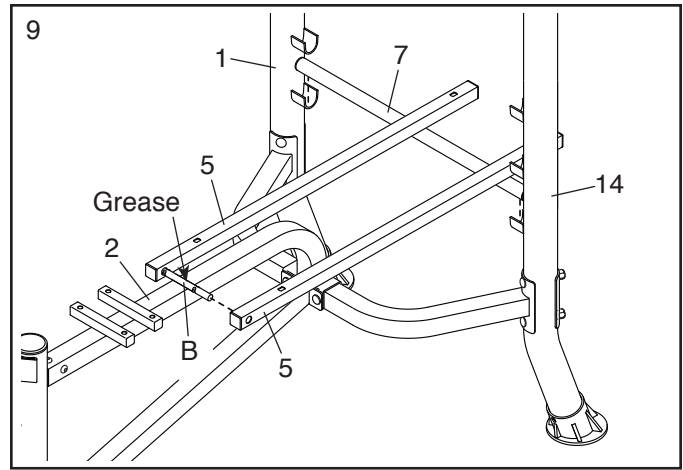
Attach the Leg Lever (4) to the brackets on the Front Leg (8) with the M8 x 75mm Bolt (32) and an M8 Locknut (17). **Do not overtighten the Locknut; the Leg Lever must pivot easily.**



9. Apply a generous amount of the grease to the pivot rod (B) on the Frame (2)

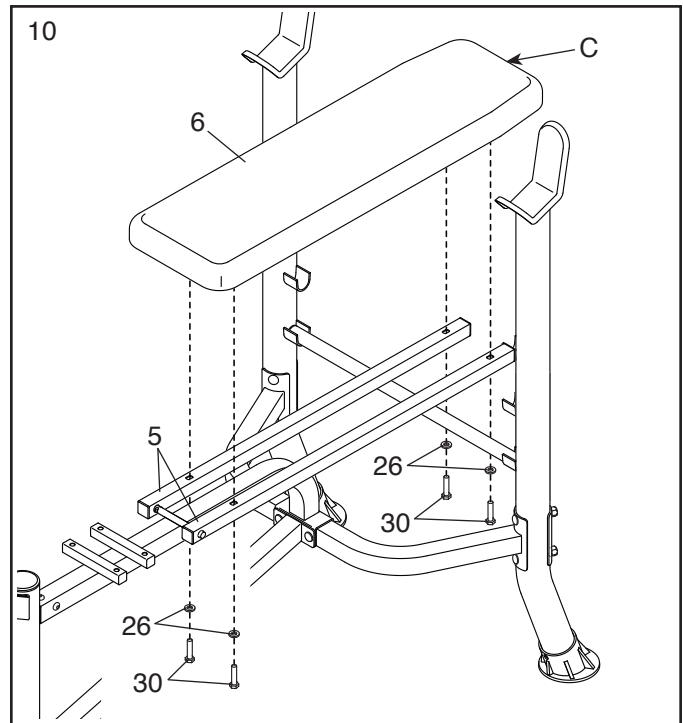
Set the Backrest Support (7) into a set of brackets on the Uprights (1, 14).

Orient the Backrest Tubes (5) as shown. Slide a Backrest Tube onto each side of the pivot rod (B).

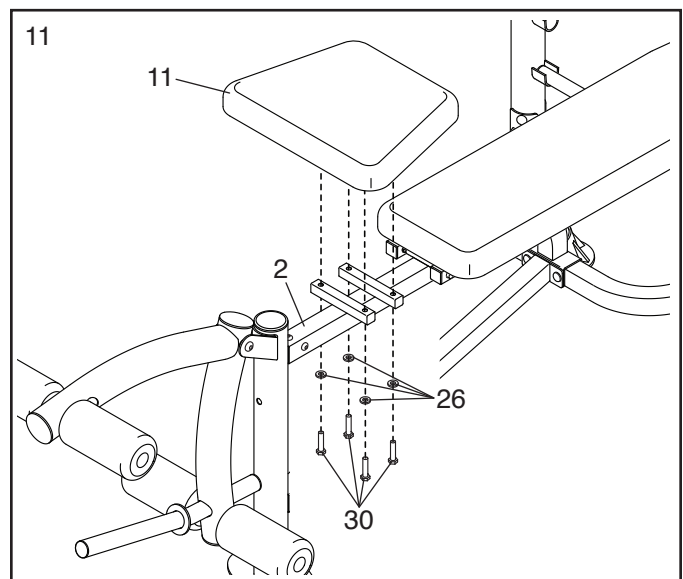


10. Orient the Backrest (6) so that the narrow end (C) is in the indicated location.

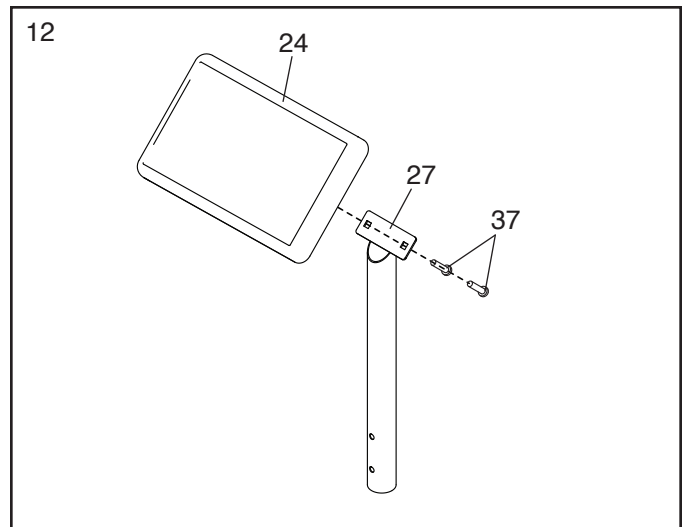
Attach the Backrest (6) to the Backrest Tubes (5) with four M6 x 40mm Screws (30) and four M6 Washers (26); **start all the Screws, and then tighten them.**



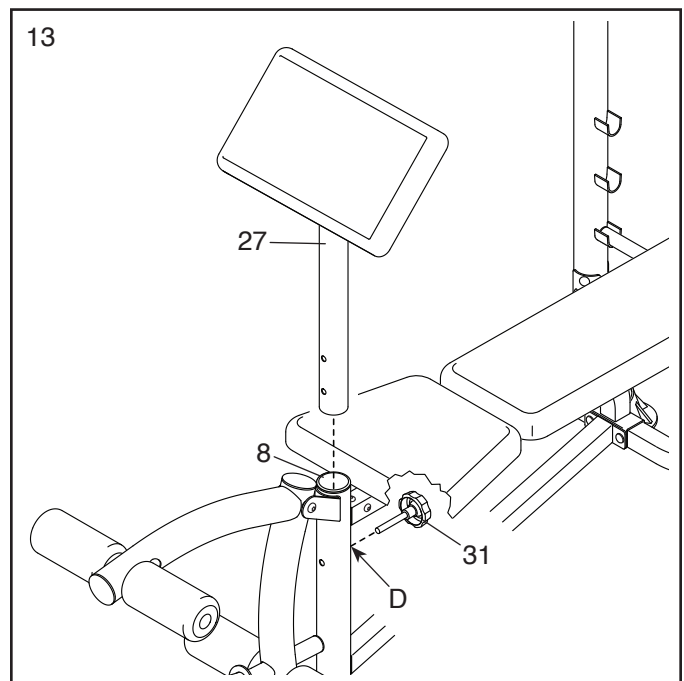
11. Attach the Seat (11) to the Frame (2) with four M6 x 40mm Screws (30) and four M6 Washers (26); **start all the Screws, and then tighten them.**



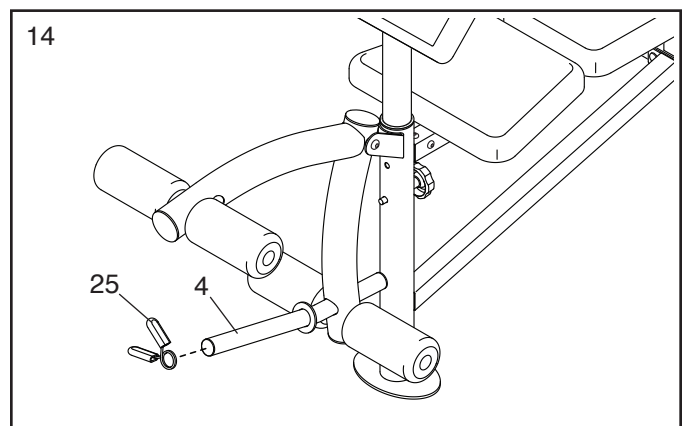
12. Attach the Curl Pad (24) to the Curl Post (27) with two M8 x 15mm Screws (37).



13. Insert the Curl Post (27) into the Front Leg (8) and align one of the adjustment holes in the Curl Post with the indicated hole (D) in the Front Leg. Then, tighten the Curl Knob (31) into the Front Leg.



14. Attach a Spring Collar (25) to the weight tube on the Leg Lever (4).



15. **Make sure that all parts are properly tightened before you use the weight bench.** Extra parts may be included. The use of all remaining parts will be explained in ADJUSTMENT, beginning on page 11.

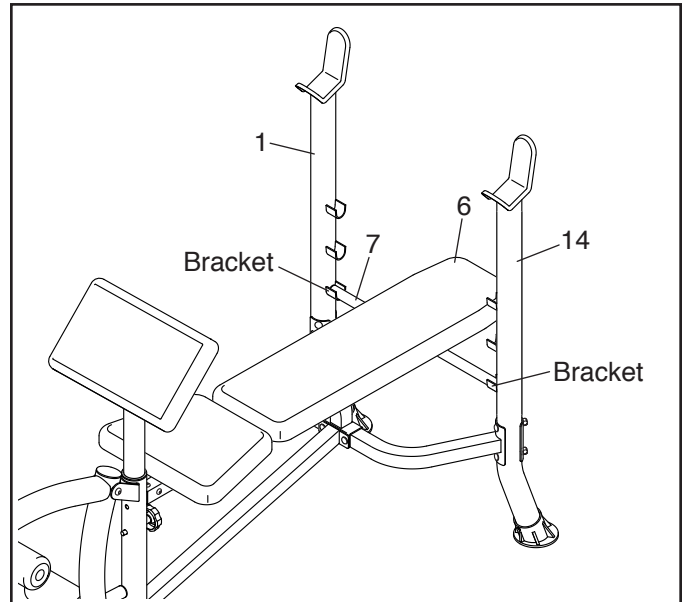
ADJUSTMENT

The steps below explain how the weight bench can be adjusted. See the accompanying exercise guide to see the correct form for several exercises.

Make sure that all parts are properly tightened each time you use the weight bench. Replace any worn parts immediately. The weight bench can be cleaned with a damp cloth and a mild, non-abrasive detergent; **do not use solvents.**

ADJUSTING THE BACKREST

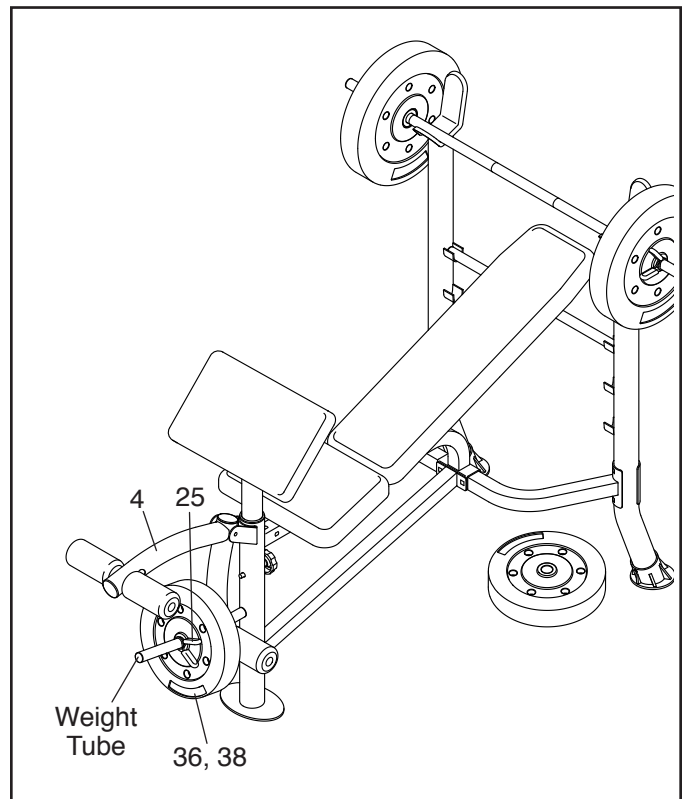
The Backrest (6) can be used in any of three positions. To adjust the position of the Backrest, lift the Backrest, set the Backrest Support into the desired set of brackets (A) on the Uprights (1, 14), and then rest the Backrest on the Backrest Support.



ATTACHING WEIGHTS TO THE LEG LEVER

To use the Leg Lever (4), slide the desired Weights (36, 38) onto the weight tube on the Leg Lever. Secure the Weights with a Spring Collar (25).

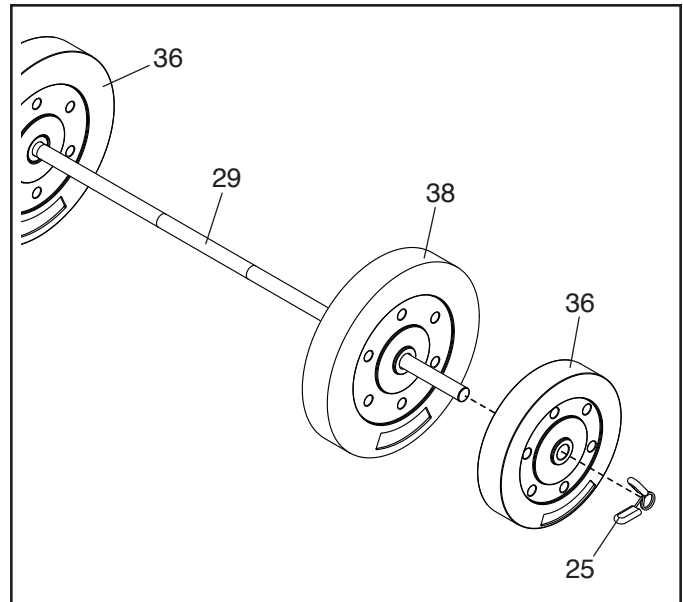
⚠ WARNING: When using the Leg Lever (4), place the Barbell (29) with the same amount of weight on the weight rests to balance the weight bench. Do not place more than 50 lbs. (23 kg) on the Leg Lever.



ATTACHING WEIGHTS TO THE BARBELL

Slide the same amount of Weight (36, 38) onto both ends of the Barbell (29). Then, slide the two Spring Collars (25) against the Weights.

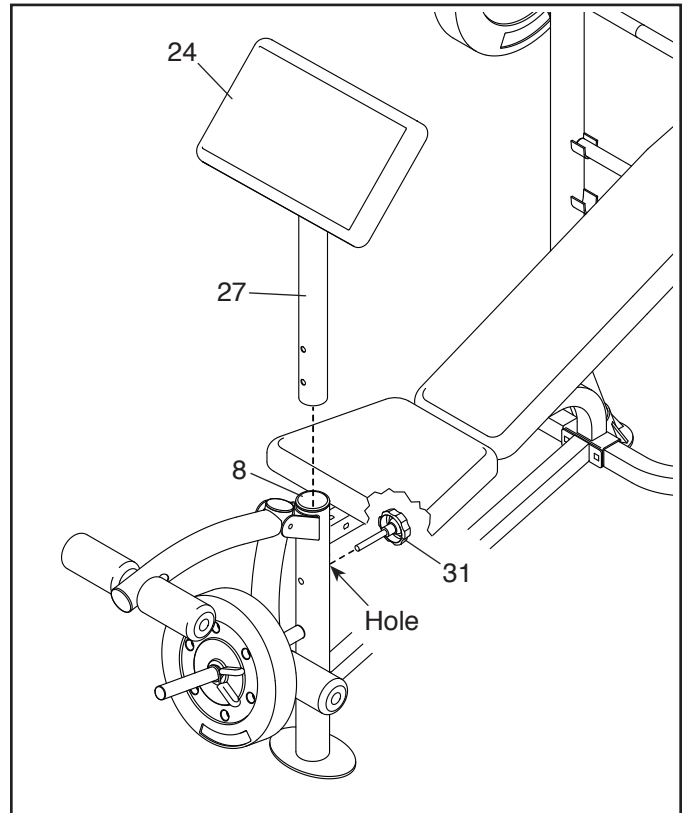
⚠ WARNING: Always secure Weights (36, 38) on the Barbell (29) with the Spring Collars (25). Do not place more than 110 lbs. (49 kg), including the Barbell and Weights, on the weight rests.



ATTACHING THE CURL PAD

For some exercises, the Curl Pad (24) must be attached to the weight bench. Insert the Curl Post (27) into the Front Leg (8) and align an adjustment hole in the Curl Post with the adjustment hole in the Front Leg. Then, secure the Curl Post with the Curl Knob (31).

When the Curl Pad (24) is not being used, store it away from the weight bench.



EXERCISE GUIDELINES

FOUR TYPES OF STRENGTH WORKOUTS

Note: A “repetition” is one complete cycle of an exercise, such as one sit-up. A “set” is a series of repetitions.

Muscle Building—Work your muscles near their maximum capacity and progressively increase the intensity of your exercise. Adjust the intensity level of an individual exercise as follows:

- Change the amount of resistance used.
- Change the number of repetitions or sets performed.

Use your own judgment to determine the amount of resistance that is right for you. Begin with 3 sets of 8 repetitions for each exercise you perform. Rest for 3 minutes after each set. When you can complete 3 sets of 12 repetitions without difficulty, increase the amount of resistance.

Toning—Tone your muscles by working them to a moderate percentage of their capacity. Select a moderate amount of resistance and increase the number of repetitions in each set. Complete as many sets of 15 to 20 repetitions as possible without discomfort. Rest for 1 minute after each set. Work your muscles by completing more sets rather than by using high amounts of resistance.

Weight Loss—To lose weight, use a low amount of resistance and increase the number of repetitions in each set. Exercise for 20 to 30 minutes, resting for a maximum of 30 seconds between sets.

Cross Training—Combine strength training and aerobic exercise by following this type of program:

- Strength training workouts on Monday, Wednesday, and Friday.
- 20 to 30 minutes of aerobic exercise on Tuesday and Thursday.
- One full day of rest each week to give your body time to regenerate.

WORKOUT GUIDELINES

Familiarize yourself with the equipment and learn the proper form for each exercise. Use your own judgment to determine the appropriate length of time for each

workout, and the numbers of repetitions and sets to complete. Progress at your own pace and be sensitive to your body’s signals. Follow each workout with at least one day of rest.

Warming Up—Start with 5 to 10 minutes of stretching and light exercise. A warm-up increases your body temperature, heart rate, and circulation in preparation for exercise.

Working Out—Include 6 to 10 different exercises in each workout. Select exercises for every major muscle group, emphasizing areas that you want to develop. To give balance and variety to your workouts, vary the exercises from workout to workout.

Cooling Down—Finish with 5 to 10 minutes of stretching. Stretching increases the flexibility of your muscles and helps to prevent post-exercise problems.

EXERCISE FORM

Move through the full range of motion for each exercise and move only the appropriate parts of the body. Perform the repetitions in each set smoothly and without pausing. The exertion stage of each repetition should last about half as long as the return stage. Exhale during the exertion stage of each repetition and inhale during the return stroke. Never hold your breath.

Rest for a short period of time after each set:

- Muscle Building—Rest for three minutes after each set.
- Toning—Rest for one minute after each set.
- Weight Loss—Rest for 30 seconds after each set.

STAYING MOTIVATED

For motivation, keep a record of each workout. Write the date, the exercises performed, the resistance used, and the numbers of sets and repetitions completed. Record your weight and key body measurements once a month. To achieve good results, make exercise a regular and enjoyable part of your life.

PART LIST

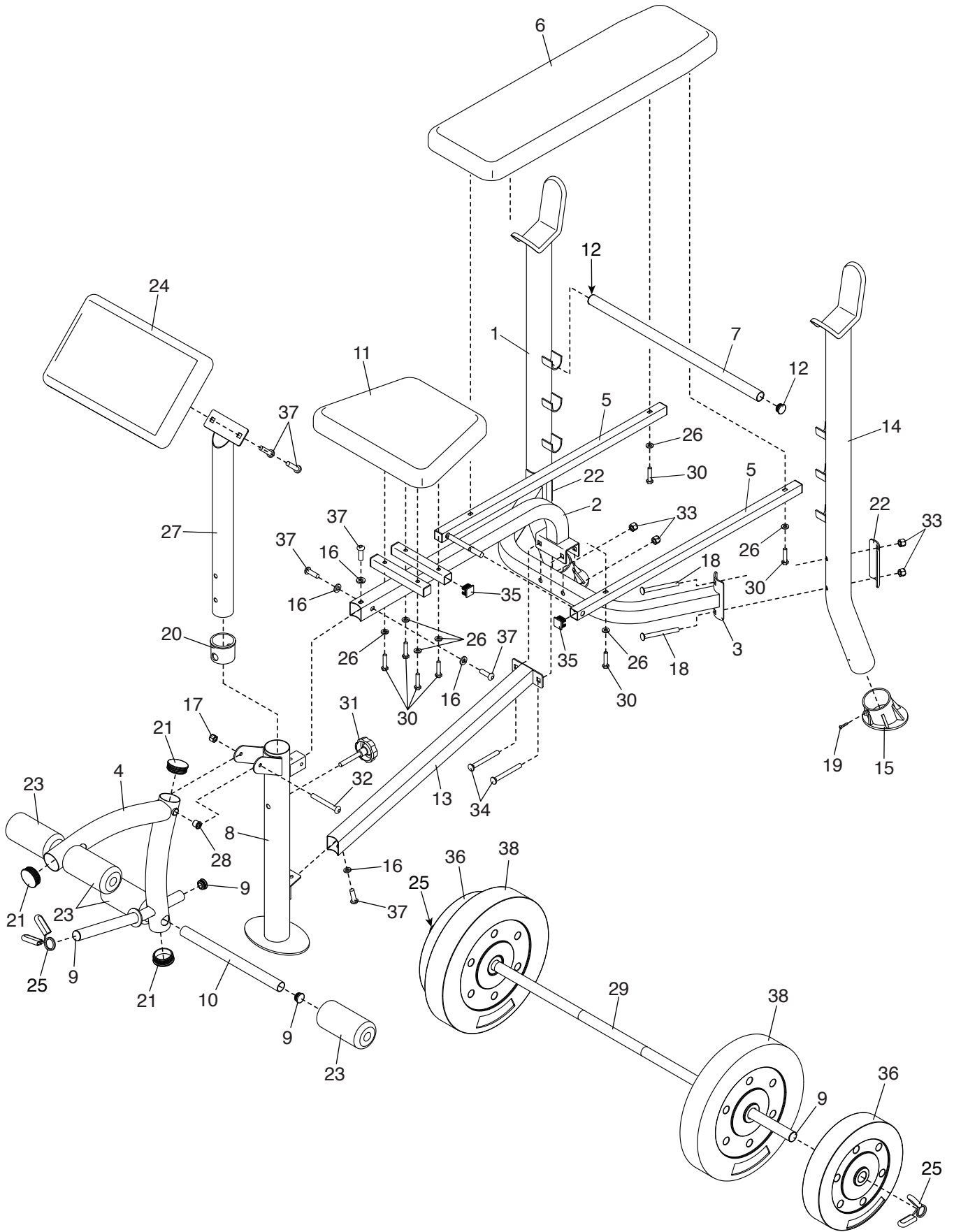
Model No. 831.15963.0 R1017A

Key No.	Qty.	Description	Key No.	Qty.	Description
1	1	Right Upright	22	2	Support Bracket
2	1	Frame	23	4	Foam Pad
3	1	Crossbar	24	1	Curl Pad
4	1	Leg Lever	25	3	Spring Collar
5	2	Backrest Tube	26	8	M6 Washer
6	1	Backrest	27	1	Curl Post
7	1	Backrest Support	28	2	Leg Lever Bushing
8	1	Front Leg	29	1	Barbell
9	8	Pad Tube Cap	30	8	M6 x 40mm Screw
10	2	Pad Tube	31	1	Curl Knob
11	1	Seat	32	1	M8 x 75mm Bolt
12	2	Backrest Support Cap	33	6	M10 Locknut
13	1	Stabilizer	34	2	M10 x 60mm Carriage Bolt
14	1	Left Upright	35	8	Square Cap
15	2	Upright Foot	36	2	15-pound Weight
16	4	M8 Washer	37	6	M8 x 15mm Screw
17	1	M8 Locknut	38	2	25-pound Weight
18	4	M10 x 77mm Carriage Bolt	*	—	User's Manual
19	2	M4 x 19mm Screw	*	—	Exercise Guide
20	1	Post Bushing	*	—	Grease Packet
21	3	Leg Lever Cap			

Note: Specifications are subject to change without notice. For information about ordering replacement parts, see the back cover of this manual. **If a part is missing, call 1-877-992-5999.** *These parts are not illustrated.

EXPLODED DRAWING

Model No. 831.15963.0 R1017A



Get it fixed, at your home or ours!

Your Home

For repair—**in your home**—of **all** major brand appliances, lawn and garden equipment, or heating and cooling systems, **no matter who made it, no matter who sold it!**

For the replacement parts, accessories, and user's manuals that you need to do-it-yourself.

For Sears professional installation of home appliances and items like garage door openers and water heaters.

1-800-4-MY-HOME® (1-800-469-4663)

Call anytime, day or night (U.S.A. and Canada)

www.sears.com

www.sears.ca

Our Home

For repair of carry-in items like vacuums, lawn equipment, and electronics, call or go on-line for the location of your nearest **Sears Parts & Repair Center.**

1-800-488-1222 Call anytime, day or night (U.S.A. only)

www.sears.com

To purchase a protection agreement (U.S.A.) or maintenance agreement (Canada) on a product serviced by Sears:

1-800-827-6655 (U.S.A.)

1-800-361-6665 (Canada)

Para pedir servicio de reparación a domicilio, y para ordenar piezas:

1-888-SU-HOGAR® (1-888-784-6427)



® Registered Trademark / ™ Trademark / ™ Service Mark of Sears Brands, LLC
® Marca Registrada / ™ Marca de Fábrica / ™ Marca de Servicio de Sears Brands, LLC

90 DAY FULL WARRANTY

If this Sears Weight Bench Exerciser fails due to a defect in material or workmanship within 90 days of the date of purchase, call 1-800-4-MY-HOME® (1-800-469-4663) to arrange for free repair (or replacement if repair proves impossible).

This warranty does not apply when the Weight Bench Exerciser is used commercially or for rental purposes. This warranty gives you specific legal rights, and you may also have other rights which vary from state to state.

Sears, Roebuck and Co., Hoffman Estates, IL 60179